



MANGALORE REFINERY & PETROCHEMICALS LTD.
(A subsidiary of Oil & Natural Gas Corpn. Ltd – ONGC)
Regd. Office: Kuthethoor P.O., Via: Katipalla, Mangalore-575030 (India)
Phone: 0091-824-2270400 Fax: 0091-824-2271239



Addendum - 1

To

MRPL Tender No. 96750000C1B dated 21.01.2022

**CONSTRUCTION TENDER ON ITEM RATE BASIS FOR CCR-1 REGENERATOR REVAMP PROJECT
AT MRPL, MANGALURU, KARNATAKA**

With reference to the above tender, bidders are requested to note the following:

The items, conditions, specification and stipulations of the Bidding Documents and modified to the extent indicated in Technical Addendum enclosed below:

The implications of the same, elsewhere in the tender shall be taken care of appropriately by the bidders. All other terms and conditions, stipulations and specifications of tender shall remain unaltered.

Bidders shall submit copy of these documents along with the technical-commercial bid, duly signed and stamped, as a token of having read and understood the same.

S.NO	DOCUMENT TITLE	DOCUMENT NO./ REV NO.	EXISTING CLAUSE NO./ PAGE NO.	EXISTING CLAUSE	ADDITION/ MODIFICATION
1	Commercial Volume	96750000C1B	Clause 6.3 of NIT, Page 13 of 376	PSU's / firms registered with NSIC / MSME vendors registered with State Department of Industries & Commerce (DIC) are exempted from submission of EMD	PSU's / firms registered with NSIC / MSE vendors registered with State Department of Industries & Commerce (DIC) are exempted from submission of EMD
2	Commercial Volume	96750000C1B	Clause 6.9 of NIT, Page 13 of 376	The bidders who are on Holiday / Negative list of OWNER on due date of submission of bid/ during the process of evaluation of the bids, the offers of such bidders shall not be considered for bid opening / evaluation / Award.	The bidders who are on Holiday / Negative list of OWNER/ CONSULTANT on due date of submission of bid/ during the process of evaluation of the bids, the offers of such bidders shall not be considered for bid opening / evaluation / Award.
3	GENERAL	MRPL Approved Vendor List	-	-	Bidder to refer Annexure -1 below for MRPL Approved Vendor List.
4	Price Bid Excel Sheet	Price_Bid_9675_C1B	-	-	Bidder to refer and quote in the Revised Price Bid Sheet Rev.2 (Price_Bid_9675_C1B_R2)
5	Technical Bid Sheet	Tech_Bid_9675_C1B	-	-	Bidder to refer and fill Revised Technical Bid sheet Rev.2 (Tech_Bid_9675_C1B_R2)
6	Unpriced Bid	-	-	-	Bidder to provide Unpriced part (without price) of Price bid Rev.2, indicating "Quoted (wherever prices are given) and /or Included (wherever prices are not given as they are included elsewhere)" against each line item for supply, freight and construction.
7	General	-	-	-	Bidder to refer Annexure-2 below for Constructability study report.
8	Pre-Bid Queries	-	-	-	Bidder to refer Annexure-3 below for Response to Pre-Bid queries.
9	General	-	-	-	Bidder to refer Annexure-4 below for Existing Packinox GA drawing.
10	Price_Bid_9675_C1B_R2	-	-	-	Bidder is required to consider Annexure-5 below for form SP-5F for Piping. Wherever SP-5F is mentioned in Price Bid 9675_C1B_R2 & in prebid queries bidders to consider Annexure-5 of Addendum-1 below as SP-5F is for reference only.

ANNEXURE-1

MASTER SUPPLIER LIST (MSL)				REV.: 0
				17-09-2020
ITEM CATEGORY INDEX SHEET				
Sr.No	ITEM	Indian Vendors	Foreign Vendors	Total Vendors
SECTION-A : EQUIPMENTS				
1	STATIC EQUIPMENT			
1.1	PRESSURE VESSEL -CS (UP TO 25MM)	77	0	77
1.2	POLYMERISER REACTOR SYSTEM	1	0	1
1.3	PRESSURE VESSEL -CS (26-50MM)	50	0	50
1.4	PRESSURE VESSEL-CS (51-100MM)	22	0	22
1.5	PRESSURE VESSEL CS (>100MM)	9	0	9
1.6	PRESSURE VESSEL-SS (UP TO 25MM)	59	0	59
1.7	PRESSURE VESSEL-SS (FROM 26MM to 50 MM)	33	0	33
1.8	PRESSURE VESSEL SS (> 50 MM)	11	0	11
1.9	PRESSURE VESSEL -LOW ALLOY STEEL	26	0	26
1.10	PRESSURE VESSEL – LTCS	36	0	36
1.11	PRESSURE VESSEL-CS/LAS+SS CLAD	25	0	25
1.12	PRESSURE VESSEL MONEL CLADDED	13	0	13
1.13	PRESSURE VESSEL MONEL	4	0	4
1.14	CYCLONES (REACTOR & REGENERATOR)	0	0	0
1.15	DEMISTER-WIRE MESH TYPE	8	0	8
1.16	COLUMN/TOWER CARBON STEEL	31	0	31
1.17	COLUMN/TOWER STAINLESS STEEL	25	0	25
1.18	COLUMN/TOWER - LOW ALLOY STEEL	12	0	12
1.19	COLUMN/TOWER - LTCS	17	0	17
1.20	COLUMN/TOWER-CS/LAS+SS CLADDED	18	0	18
1.21	COLUMN - MONEL CLAD	11	0	11
1.22	CCR PLATFORMING REACTOR	3	0	3
1.23	REACTOR/SEPARATOR-SS CLAD 1.25 Cr 0.5 MO	6	0	6
1.24	REACTOR/SEPARATOR-SS CLAD-2.25 Cr-1 Mo	4	0	4
1.25	REACTOR/SEPARATOR- CLAD 2.25Cr 1Mo 0.25V	2	0	2
1.26	COLUMN/TOWER-CS (51-100MM THK)	12	0	12
1.27	HEAT EXCHANGER CARBON STEEL	42	0	42
1.28	HEAT EXCHANGER-ROD AND PLATE TYPE BAFFLE	0	0	0
1.29	HEAT EXCHANGER STAINLESS STEEL.	36	0	36

ITEM CATEGORY INDEX SHEET				
Sr.No	ITEM	Indian Vendors	Foreign Vendors	Total Vendors
1.30	HEAT EXCHANGER LOW ALLOY STEEL.	21	0	21
1.31	HEAT EXCHANGER LTCS.	21	0	21
1.32	HEAT EXCHANGER 3.5 % NI STEEL	7	0	7
1.33	HEAT EXCHANGER-CS/LAS+SS CLAD	20	0	20
1.34	HEAT EXCHANGER(PLATES-WELDED)	9	0	9
1.35	HEAT EXCHANGERS (PLATE -GASKETTED)	8	0	8
1.36	HEAT EXCHANGER NF- (BRASS, CU-Ni)	19	0	19
1.37	AIR FIN COOLER (CS & SS)	13	0	13
1.38	AIR FIN COOLERS (DUPLEX SS)	4	0	4
1.39	SAMPLE COOLER	11	0	11
1.40	CRYOGENIC VAPORIZER-DIRECT STEAM HEATED	0	0	0
1.41	HEAT EXCHANGER (AL. BRAZED FIN TYPE)	1	0	1
1.42	HEAT EXCH. MONEL / MONEL CLAD	6	0	6
1.43	HEAT EXCH. NICKEL / NICKEL CLAD	3	0	3
1.44	HEAT EXCH. HASTALLOY / HASTALLOY CLAD	4	0	4
1.45	ELECTRIC HEATER	3	0	3
1.46	HEAT EXCHANGER SS-DUPLEX	15	0	15
1.47	HEAT EXCHNAGER - ALLOY 625	7	0	7
1.48	LOUVERS FOR AIR FIN COOLERS	1	0	1
1.49	EJECTOR (ENGINEERED)	7	0	7
1.50	EJECTOR (UNENGINEERED)	3	0	3
1.51	SILENCER	8	0	8
1.52	VACUUM EJECTOR CONDENSER SYS(ENGINEERED)	2	0	2
1.53	VACUUM EJECTOR CONDSR SYS (UNENGINEERED)	3	0	3
1.54	DEMISTER-VANE TYPE	5	0	5
1.55	EXPANSION JOINT-METALLIC	6	0	6
1.56	AIR PRE-HEATER (CAST)	1	0	1
1.57	AIR PRE-HEATER (GLASS TUBE)	1	0	1
1.58	BURNER-CONVENTIONAL	2	0	2
1.59	BURNER-LOW NO _x (PROCESS FIRED HEATER)	1	0	1
1.60	BURNER-SRU	1	0	1
1.61	AIR HEATER (DIRECT FIRED)	1	0	1
1.62	LNG VAPORIZER	0	0	0
1.63	TOWER PACKING: METALLIC (NON-PROPRIETARY)	6	0	6
1.64	TOWER PCKG & ASSTD INTL: METALLIC (PROPRTRY)	4	0	4

ITEM CATEGORY INDEX SHEET				
Sr.No	ITEM	Indian Vendors	Foreign Vendors	Total Vendors
1.65	TOWER PKG:NON METALLIC(PROPRIETARY)	4	0	4
1.66	TOWER PACKING: CERAMIC	8	0	8
1.67	COLUMN TRAYS-HIGH CAPACITY	5	0	5
1.68	NON-PROP. PACKGS WITH CONVENL INTERNALS	7	0	7
1.69	NON-PROP PKG,HIGH QUAL DISR& INL-UN ENGIN	6	0	6
1.70	INLET FEED DEVICE (VANE TYPE)	3	0	3
1.71	SEPARATOR INTERNALS	5	0	5
1.72	REACTOR INTERNAL	11	0	11
1.73	SPRAY NOZZLE-PROCESS	9	0	9
1.74	SPRAY NOZZLE-TORCH OIL	2	0	2
1.75	TOWER PACKING:CARBON	3	0	3
1.76	TOWER PACKINGS:PVC & PP(NON-PROPRIETARY)	3	0	3
1.77	WASTE HEAT BOILERS	9	0	9
1.78	REFRACTORY FIRE BRICKS	23	0	23
1.79	INSULATING REFRACTORY CASTABLE	15	0	15
1.80	SULPHUR TRAPS	0	0	0
1.81	STORAGE TANKS, BULLETS & MOUNDED BULLETS	5	0	5
1.82	DEAERATOR	6	0	6
1.83	FILTER - BASKET	13	0	13
1.84	FILTER - CARTRIDGE/CANDLE	24	0	24
1.85	FILTER - PRESSURE	0	0	0
1.86	FURNACE	1	0	1
1.87	FLARE STACK COMPONENTS	4	0	4
1.88	MAIN COMBUSTN. CHAMBR PKG(SRU)-ENGINEERED	6	0	6
1.89	INCINERATOR PACKAGE FOR SRU	3	0	3
1.90	FIRED HEATERS	11	0	11
1.91	COLUMN / DRUM (SITE FABRICATED)	2	0	2
1.92	HAIRPIN EXCHANGER	6	0	6
1.93	SILOS	0	0	0
1.94	LOW FIN HEAT EXCHANGER	5	0	5
2	ROTARY EQUIPMENT		0	
2.1	PUMP-CENT.HOR(GPP)	22	0	22
2.2	PUMP-CENT.HOR(SPP)	13	0	13
2.3	PUMP-CENT.HOR(GWS)	20	0	20
2.4	PUMP-CENT.HOR(LCWS)	22	0	22

ITEM CATEGORY INDEX SHEET				
Sr.No	ITEM	Indian Vendors	Foreign Vendors	Total Vendors
2.5	PUMP-CENT.HOR.(MOLTEN SULPHUR)	2	0	2
2.6	PUMP-CENT.VERT(GPP)	18	0	18
2.7	PUMP-CENT.VERT. BARREL TYPE(SPP)	12	0	12
2.8	PUMP-CENT.VERT.(GWS)	19	0	19
2.9	PUMP-CENT.VERT(LCWS)	18	0	18
2.10	PUMP-CENT.VERT.(MOLTEN SULPHUR)	2	0	2
2.11	PUMP-CENT. (BFW)	17	0	17
2.12	PUMP-CENT.SU.M(CRYO)	0	0	0
2.13	PUMP-CENT.H/V(FW)	7	0	7
2.14	PUMP-CENT.HOR.MULTI STAGE(SPP)	9	0	9
2.15	PUMP-CENT. (LOW CAPACITY HIGH HEAD)	1	0	1
2.16	PUMP-ROTARY.SCREW	12	0	12
2.17	PUMP-ROTARY.GEAR	9	0	9
2.18	PUMP-ROTARY.SL.VANE	3	0	3
2.19	PUMP-ROT.SCR.ARC(ES)	3	0	3
2.20	PUMP-ROTARY(LOBE)	4	0	4
2.21	PUMP-SLURRY.RECIPRO	0	0	0
2.22	PUMP-SLURRY.CENT.H/V	9	0	9
2.23	PUMP-RECIPRO (API 674)	10	0	10
2.24	PUMP-A.F.PROPELLER	4	0	4
2.25	PUMP - AIR OPERATED DIAPHRAGM	5	0	5
2.26	EDUCTOR	3	0	3
2.27	COMP-RECIPRO(SPP)	9	0	9
2.28	COMP-RECIPRO(PIANS)	11	0	11
2.29	COMP-RECIPRO(DIAPHRAGM)	2	0	2
2.30	COMP-RECIPRO(LABYRINTH)	1	0	1
2.31	COMP. HIGH PRESSURE(PIANS)	1	0	1
2.32	COMP-CENT.(SPP)	7	0	7
2.33	COMP-ROT.LIQUID RING/VP(PS)	10	0	10
2.34	COMP-ROT.LIQUID RING / VP(AS)	9	0	9
2.35	MECH.SEAL FOR PUMPS/AGITATORS	6	0	6
2.36	MECHANICAL SEALS (API 682 TYPE & DRY GAS SEAL)	6	0	6
2.37	COMP-ROT.SCREW(PS)	8	0	8
2.38	COMP-ROT.SCREW(PIAS)	6	0	6
2.39	COMP-EXPANDER(PRO)	1	0	1

ITEM CATEGORY INDEX SHEET				
Sr.No	ITEM	Indian Vendors	Foreign Vendors	Total Vendors
2.40	COMP-EXPANDER(AIR)	1	0	1
2.41	TURBINE-STEAM(GP)	8	0	8
2.42	TURBINE-STEAM(SP)	10	0	10
2.43	TURBINE-GAS	6	0	6
2.44	FAN-ID/FD	16	0	16
2.45	FAN-AXIAL FLOW	2	0	2
2.46	BLOWER-TURBO CENTRIFUGAL	16	0	16
2.47	POSITIVE DISPLACEMENT PUMPS RECIPROCATING - (CONTROLLED	10	0	10
2.48	AGITATOR	13	0	13
2.49	Centrifugal Pumps - Sealless General Service	1	0	1
2.50	Special Purpose Gear Unit	1	0	1
2.51	ONE WAY CLUTCH	0	0	0
2.52	FLEXIBLE METALLIC COUPLING	4	0	4
2.53	Centrifugal Pumps - Non Metallic / Lined	6	0	6
2.54	VACUUM PUMPS	5	0	5
2.55	PUMP-CRITICAL TEMPERATURE COLD SERVICE	0	0	0
3	FIRE FIGHTING EQUIPMENT		0	
3.1	FIRE EXTINGUISHERS (PORTABLE)	17	0	17
3.2	SAFETY SHOWER & EYE WASHER	6	0	6
3.3	CLEAN AGENT SYSTEM	12	0	12
3.4	DELUGE VALVE AND HEAT DETECTORS	7	0	7
3.5	HOSE DELIVERY	9	0	9
3.6	FIRE HOSE ACCESSORIES	11	0	11
3.7	FOAM MAKER	4	0	4
3.8	VAPOUR SEAL CHAMBER	3	0	3
3.9	BRANCH PIPES	11	0	11
3.10	INLINE INDUCTORS	4	0	4
3.11	WATER SPRINKLER	5	0	5
3.12	FIXED FOAM SYSTEM (FOAM PACKAGE)	3	0	3
3.13	HYDRANT/LANDING VALVE	12	0	12
3.14	SPRAY NOZZLE- FIRE FIGHTING	4	0	4
3.15	AUTO DCP EXTINGUISHING SYSTEM	2	0	2
3.16	HV/MV SPRAY SYSTEMS	12	0	12
3.17	RIM SEAL FIRE PROTECTION SYSTEM	2	0	2
3.18	WATER MONITOR	14	0	14

ITEM CATEGORY INDEX SHEET				
Sr.No	ITEM	Indian Vendors	Foreign Vendors	Total Vendors
3.19	WATER CUM FOAM MONITOR	9	0	9
3.20	LONG RANGE MONITOR	6	0	6
3.21	REMOTE CONTROLLED MONITORS	6	0	6
4	HVAC & MISCELLANEOUS			
4.1	DESALTER PACKAGE (COALESCER - ELECTROSTATIC)	0	0	0
4.2	VACUUM EJECTOR CONDENSER SYS(ENGINEERED)	2	0	2
4.3	VACUUM EJECTOR CONDSR SYS(UNENGINEERED)	1	0	1
4.4	DOSING PACKAGE(SKID MOUNTED)	7	0	7
4.5	PRU (Propylene Recovery Unit) DRYER	0	0	0
4.6	PNUEMATIC CONVEYING PACKAGE	1	0	1
4.7	EXTRUDER / PELLETIZER PACKAGE	0	0	0
4.8	CATALYST, ADDITIVES UNLOADING PACKAGE	0	0	0
4.9	LOSS-IN WEIGHT FEEDER PACKAGE / SCREW CONVEYOR	0	0	0
4.10	ROTARY FEEDER	0	0	0
4.11	BAGGING PLANT	0	0	0
4.12	VACUUM CLEANING SYSTEMS	0	0	0
4.13	DRIER-AIR/G	16	0	16
4.14	FILTER BAG TYPE	5	0	5
4.15	PLANT & INSTRUMENT AIR COMPRESSOR PACKAGE	2	0	2
4.16	COOLING TOWER	5	0	5
4.17	NITROGEN PLANT (CRYOGENIC)	9	0	9
4.18	DM WATER & CONDENSATE POLISHING UNIT	4	0	4
4.19	EFFLUENT TREATMENT PACKAGE	11	0	11
4.20	EMERGENCY DIESEL GENERATOR	6	0	6
4.21	CRANE-H.O.T / E.O.T / ELECTRIC HOISTS	30	0	30
4.22	REFRIGERATION SYSTEM- VAPOUR ABSORPTION	5	0	5
4.23	VENTILATION & PRESSURISATION SYSTEM	12	0	12
4.24	AIR CONDITIONING SYSTEM - PACKAGE UNIT	7	0	7
4.25	AIR CONDITIONING SYSTEM - CENTRAL	8	0	8
4.26	CHILLER PACKAGE /CONDENSING UNIT	9	0	9
4.27	AIR HANDLING UNIT	11	0	11
4.28	CHEMICAL FILTER (HVAC)	4	0	4
4.29	CENTRIFUGAL FAN (HVAC)	7	0	7
4.30	EXHAUST AXIAL FAN (HVAC)	3	0	3
4.31	SPLIT / WINDOW AC	11	0	11

ITEM CATEGORY INDEX SHEET				
Sr.No	ITEM	Indian Vendors	Foreign Vendors	Total Vendors
4.32	AIR FILTERS (HVAC)	5	0	5
4.33	3 WAY MODULATING VALVE FOR HVAC APPLICATION	5	0	5
4.34	FIRE DAMPER	6	0	6
4.35	VOLUME CONTROL DAMPERS / LOUVERS	6	0	6
4.36	GRILL / DIFFUSER FOR AIR CONDITIONING SYSTEM	8	0	8
4.37	DAMPER ACTUATOR	4	0	4
4.38	MODULATING DAMPER ACTUATOR	5	0	5
4.39	G.I. SHEETS (HVAC DUCTING)	3	0	3
4.40	REFRIGERATION SYSTEM - PROCESS	6	0	6
4.41	ELECTRONIC WEIGH SCALE	5	0	5
4.42	PSA HYDROGEN PLANT	2	0	2
4.43	STATIC MIXER	7	0	7
4.44	COALESCER	6	0	6
4.45	FEED FLTR AUTO BACK WASH HYD.CRAKR DHDT	2	0	2
4.46	FILTER- ROTARY	1	0	1
4.47	FILTER-VACUUM	0	0	0
4.48	QUICK OPENING CLOSURE(FILTER/SEPARATOR)	3	0	3
4.49	LIFTS (PASSENGER & GOODS)	5	0	5
4.50	LOADING/UNLOADING ARM	5	0	5
4.51	TOWER PACKING CARBON	3	0	3
4.52	TOWER PACKINGS;PVC&PP(NON-PROPRIETRY)	3	0	3
4.53	SPIRAL HEAT EXCHNAGER	2	0	2
4.54	HASTOLLOY SOLID REACTORS	3	0	3
4.55	DUPLEX SOLID REACTORS	3	0	3
SECTION-B : BULK PIPING ITEMS				
1	PIPING & FITTINGS			
1.1	NON STANDARD FORGINGS-CARBON STEEL	24	0	24
1.2	NON STANDARD FORGINGS-ALLOY STEEL	15	0	15
1.3	NON STANDARD FORGINGS- STAINLESS STEEL	18	0	18
1.4	LINING (RUBBER)	10	0	10
1.5	LINING-FRP(TANKS & VESSELS)	11	0	11
1.6	PVDF/FRP EQUIPMENTS	8	0	8
1.7	ROCK WOOL INSULATION PRODUCTS	14	0	14
1.8	GLASS WOOL INSULATION PRODUCTS	1	0	1
1.9	CALCIUM SILICATE PRODUCTS	2	0	2

ITEM CATEGORY INDEX SHEET				
Sr.No	ITEM	Indian Vendors	Foreign Vendors	Total Vendors
1.10	PU FOAM & POLYISOCYANURATE FOAM	3	0	3
1.11	LINE PIPES (HELICAL SAW)	7	0	7
1.12	LINE PIPES ERW	13	0	13
1.13	LINE PIPES SEAMLESS	5	0	5
1.14	LONG RADIUS BENDS	2	0	2
1.15	FLANGE- CARBON STEEL	32	0	32
1.16	FLANGE-ALLOY STEEL	20	0	20
1.17	FLANGE-STAINLESS STEEL	26	0	26
1.18	FLANGES-EXOTIC	1	0	1
1.19	COMPACT FLANGE	0	0	0
1.20	CLAMP CONNECTOR	0	0	0
1.21	SIGHT FLOW INDICATORS (SIGHT GLASSES)	8	0	8
1.22	PIPE-CARBON STEEL TO INDIAN STANDARDS	35	0	35
1.23	PIPES & TUBULARS TO A.P.I.STANDARDS	17	0	17
1.24	PIPE/TUBE-C S (SEAMLESS)TO ASTM STDS	23	0	23
1.25	PIPE-CARBON STEEL(WELDED)TO ASTM STDS	7	0	7
1.26	PIPE/TUBE- A S (SEAMLESS)TO ASTM STDS	14	0	14
1.27	PIPE/TUBE-SS(S.LESS & WELDED)TO ASTM STD	36	0	36
1.28	PIPE/TUBE-S.LESS(DUPLEX/SUPER DUPLEX SS)	5	0	5
1.29	PIPE / FITTINGS -PTFE LINED	6	0	6
1.30	PIPES -SS WELDED TO A 358	6	0	6
1.31	DUPLEX/SUPER DUPLEX SS WELDED PIPES	0	0	0
1.32	PIPES- INDIAN STOCKIST	17	0	17
1.33	PIPE-CLADDED	0	0	0
1.34	PIPE-WELDED ALLOY STEEL	2	0	2
1.35	PIPE-PVDF/FRP	3	0	3
1.36	PIPE-FRP	12	0	12
1.37	PIPE-GRE	0	0	0
1.38	PIPE-TITANIUM	0	0	0
1.39	PIPING SYSTEM-CLAD(SHOP FABRICATED)	7	0	7
1.40	PRE-FABRICATED PIPING SPOOL	2	0	2
1.41	PIPING SYSTEM-GRE/GRP	1	0	1
1.42	TUBE-WELDED CARBON STEEL	1	0	1
1.43	TUBE-WELDED ALLOY STEEL	1	0	1
1.44	TUBE-TITANIUM	1	0	1

ITEM CATEGORY INDEX SHEET				
Sr.No	ITEM	Indian Vendors	Foreign Vendors	Total Vendors
1.45	TUBE COPPER AND ALLOYS	6	0	6
1.46	FITTINGS-FOREIGN AGENTS/STOCKIST/TRADERS	1	0	1
1.47	FITTING BLOCK FORGED-CARBON STEEL	16	0	16
1.48	FITTING BLOCK FORGED-ALLOY STEEL	11	0	11
1.49	FITTING BLOCK FORGED-STAINLESS STEEL	13	0	13
1.50	WELDOLETS/SOCKOLETS/ELBOWLET	11	0	11
1.51	FITTINGS BLOCK FORGED-EXOTIC MATLS.	2	0	2
1.52	FITTINGS FROM SEAMLESS PIPE-CARBON STEEL	24	0	24
1.53	FITTINGS FROM SEAMLESS PIPE- ALLOY STEEL	18	0	18
1.54	FITTINGS FROM SEAMLESS PIPE- S.S.	21	0	21
1.55	FITTINGS FROM S/LESS PIPES-EXOTIC MATLS	4	0	4
1.56	FIITINGS CROSS-FROM SEAMLESS PIPES	2	0	2
1.57	FITTING-GRE	0	0	0
1.58	FITTINGS TO IS-1239	8	0	8
1.59	FITTINGS FABRICATED FROM PLATE - C.S.	16	0	16
1.60	FITTINGS FABRICATED FROM PLATE - A.S.	13	0	13
1.61	FITTINGS FABRICATED FROM PLATE - S.S.	13	0	13
1.62	FITTINGS FAB. FROM PLATES-EXOTIC MATLS.	2	0	2
1.63	FITTINGS PIPE CAP (C S)	19	0	19
1.64	FITTINGS PIPE CAP (A S)	14	0	14
1.65	FITTINGS PIPE CAP (S S)	16	0	16
1.66	FITTINGS PIPE CAP (EXOTIC)	0	0	0
1.67	GASKET (IMPORTED)	0	0	0
1.68	GASKET NON-ASBESTOS	10	0	10
1.69	GASKET METALLIC & SOFT IRON	6	0	6
1.70	GASKET METAL JACKETED	7	0	7
1.71	GASKET SPIRAL WOUND	12	0	12
1.72	HOSE- RUBBER (STEAM/GAS/AIR/WATER/CHEM.)	9	0	9
1.73	HOSE METALLIC FLEXIBLE SS	10	0	10
1.74	FASTENERS	23	0	23
1.75	FASTENERS: HIGH TEMPERATURE TO A 453	3	0	3
1.76	EXPANSION JOINTS (RUBBER)	6	0	6
1.77	SPRING SUPPORTS	10	0	10
1.78	STRAINERS	0	0	0
1.79	STRAINERS (FAB/CAST/FORGED)	9	0	9

ITEM CATEGORY INDEX SHEET				
Sr.No	ITEM	Indian Vendors	Foreign Vendors	Total Vendors
1.80	STEAM TRAPS-BUCKET/TH.DYN/TH.STAT/FLOAT	7	0	7
1.81	COMPACT STEAM TRAPING ASSY+SS/CR MANFOLD	3	0	3
1.82	STEAM TRAPS	6	0	6
1.83	STEAM SUPPLY / COND. RECOVERY MANIFOLD	3	0	3
1.84	VALVE GATE (THRU CONDUIT) (AP16D)	1	0	1
1.85	VALVE GATE- (FOREIGN SUPPLIERS)	5	0	5
1.86	VALVE GATE CAST	37	0	37
1.87	VALVE GATE CRYOGENIC CAST	11	0	11
1.88	VALVE GATE FORGED	28	0	28
1.89	VALVE GATE CRYOGENIC FORGED	10	0	10
1.90	VALVE GATE GUNMETAL/BRASS/BRONZE	5	0	5
1.91	VALVE GATE (MOTOR OPERATED)	19	0	19
1.92	VALVE KNIFE GATE	5	0	5
1.93	VALVE GLOBE- (FOREIGN SUPPLIERS)	4	0	4
1.94	VALVE GLOBE CAST	31	0	31
1.95	VALVE GLOBE CRYOGENIC CAST	11	0	11
1.96	VALVE GLOBE FORGED	27	0	27
1.97	VALVE GLOBE CRYOGENIC FORGED	8	0	8
1.98	VALVE GLOBE GUNMETAL/BRASS/BRONZE	4	0	4
1.99	Y TYPE GLOBE & STOP CHECK VALVES	11	0	11
1.100	VALVE- BLOWDOWN (Straight/Angle Pattern)	8	0	8
1.101	VALVE CHECK- (FOREIGN SUPPLIERS)	5	0	5
1.102	VALVE CHECK CAST	35	0	35
1.103	VALVE CHECK CRYOGENIC CAST	10	0	10
1.104	VALVE CHECK FORGED	28	0	28
1.105	VALVE CHECK CRYOGENIC FORGED	5	0	5
1.106	VALVE CHECK GUNMETAL/BRASS/BRONZE	6	0	6
1.107	VALVE CHECK (DUAL PLATE TYPE)	9	0	9
1.108	VALVE CHECK EXCESS FLOW	1	0	1
1.109	VALVE-NON SLAM CHECK (NOZZLE)	2	0	2
1.110	VALVE BALL- (FOREIGN SUPPLIERS)	6	0	6
1.111	VALVE BALL CRYOGENIC	4	0	4
1.112	VALVE BALL NON FIRE SAFE-CAST CARBON STEEL	34	0	34
1.113	VALVE BALL NON FIRE SAFE-CAST STAINLESS STEEL	26	0	26
1.114	VALVE BALL FIRE SAFE-CCS	27	0	27

ITEM CATEGORY INDEX SHEET				
Sr.No	ITEM	Indian Vendors	Foreign Vendors	Total Vendors
1.115	VALVE BALL FIRE SAFE-CSS	21	0	21
1.116	VALVE BALL - FIRE SAFE (FORGED)	10	0	10
1.117	VALVE BALL NON FIRE SAFE-FORGED CARBON STEEL	13	0	13
1.118	VALVE BALL NON FIRE SAFE-FORGED STAINLESS STEEL	13	0	13
1.119	VALVE BALL JACKETED - NON FIRE SAFE	2	0	2
1.120	VALVE BALL MULTIPOINT NON FIRE SAFE	2	0	2
1.121	VALVE BUTTERFLY- (FOREIGN SUPPLIERS)	1	0	1
1.122	VALVE BUTTERFLY – CAST CARBON STEEL	22	0	22
1.123	VALVE BUTTERFLY -CAST STAINLESS STEEL	17	0	17
1.124	VALVE BUTTERFLY -CAST ALLOY STEEL	5	0	5
1.125	VALVE BUTTERFLY (PTFE SEATED)	9	0	9
1.126	VALVE BELLOW SEALED	8	0	8
1.127	VALVE-BUTTERFLY (TRIPLE OFFSET)	9	0	9
1.128	VALVE DIAPHRAGM-(FOREIGN SUPPLIERS)	1	0	1
1.129	VALVE DIAPHRAGM CAST CARBON STEEL	3	0	3
1.130	VALVE DIAPHRAGM CAST STAINLESS STEEL	3	0	3
1.131	VALVE PLUG- (FOREIGN SUPPLIERS)	0	0	0
1.132	VALVE PLUG CONCENTRIC- CAST CARBON STEEL (F.S & N.F.S)	8	0	8
1.133	VALVE PLUG CONCENTRIC -CAST STAINLESS STEEL (F.S & N.F.S)	6	0	6
1.134	VALVE PLUG CONCENTRIC-CAST ALLOY STEEL (F.S. & N.F.S.)	2	0	2
1.135	VALVE PISTON (GLANDLESS)	4	0	4
1.136	VALVE PLUG DBB EXPANDING TYPE	1	0	1
1.137	VALVE PLUG MULTIPOINT - NON FIRE SAFE	2	0	2
1.138	VALVE NEEDLE	7	0	7
1.139	VALVE DOUBLE DISC GATE	1	0	1
1.140	VALVE SLIDE	0	0	0
1.141	VALVE SHUT DOWN	2	0	2
1.142	VALVE CRYOGENIC SS /LTCS	3	0	3
1.143	VALVE SPECIAL CATEGORY	7	0	7
1.144	VALVE TANK BOTTOM/FLUSH BOTTOM	2	0	2
1.145	HASTELLOY PIPING COMPONENTS	11	0	11
1.146	TITANIUM PIPING COMPONENTS	11	0	11
1.147	LOW PRESSURE DROP BALL CHECK VALVE	0	0	0
1.148	EXPANSION JOINT (METAL)	4	0	4
1.149	EXPANSION JOINT (PRESSURE BALANCE)	1	0	1

ITEM CATEGORY INDEX SHEET				
Sr.No	ITEM	Indian Vendors	Foreign Vendors	Total Vendors
1.150	BIRD SCREEN	3	0	3
1.151	EYE WASHER & SAFETY SHOWER	6	0	6
1.152	INSULATING GASKET	2	0	2
1.153	POST INDICATOR VALVES	3	0	3
1.154	COPPER TUBING	8	0	8
1.155	3-WAY VALVE	5	0	5
1.156	LTCS (LOW TEMPERATURE CARBAN STEEL) FLANGE			
SECTION-C : ELECTRICAL				
5	STATIC EQUIPMENT			
5.1	SWITCHBOARD-HV (Indoor) WITH VCB BREAKER (complete)	8	0	8
5.2	SWITCHBOARD-MV: MCC/ASB/LDB-FIXED TYP	7	0	7
5.3	SWITCHBOARD-M.V. : MCC/PCC/PMCC-DRAWOUT	6	0	6
5.4	SWITCHBOARD FIXED TYPE FOR PACKAGE EQUIPTS	12	0	12
5.5	OUTDOOR SWITCHYARD PACKAGE	11	0	11
5.6	GIS upto 245kV (Indoor)	6	0	6
5.7	RELAY & CONTROL PANEL	8	0	6
5.8	PROTECTION RELAY (NUMERICAL TYPE)	8	0	8
5.9	AUX. RELAYS	9	0	8
5.10	BIMETAL RELAYS	6	0	9
5.11	(BASE+ADVANCE) ELECTRIC CONTROL SYSTEM (ECS)	8	0	8
5.12	INSTRUMENT TRANSFORMERS – CT & PT (HV)	8	0	8
5.13	INSTRUMENT TRANSFORMERS – CT & PT (MV)	9	0	9
5.14	CIRCUIT BREAKER SF-6 /OUT DOOR EHV	6	0	6
5.15	VACCUM CIRCUIT BREAKERS	8	0	8
5.16	AIR CIRCUIT BREAKER	6	0	6
5.17	ISOLATORS / LOAD BREAK SWITCHES (HV INDOOR)	3	0	3
5.18	CONTACTOR	7	0	7
5.19	MCCB	6	0	6
5.20	TIMERS	7	0	7
5.21	PUSH BUTTON & INDICATING LAMPS (Independent supply / Retrofitting / Alteration / Modification work)	9	0	9
5.22	MCB (Independent supply / Retrofitting / Alteration / Modification work)	9	0	9
5.23	HEAVY DUTY SWITCHES (Independent supply / Retrofitting / Alteration / Modification work)	4	0	4
5.24	CONTROL SWITCHES FOR BREAKER (Independent supply / Retrofitting / Alteration / Modification work)	3	0	3

ITEM CATEGORY INDEX SHEET				
Sr.No	ITEM	Indian Vendors	Foreign Vendors	Total Vendors
5.25	CONTROL SWITCHES / SELECTOR SWITCHES (Independent supply / Retrofitting / Alteration / Modification work)	7	0	7
5.26	EARTH LEAKAGE CIRCUIT BREAKER (Independent supply / Retrofitting / Alteration / Modification work)	7	0	7
5.27	FUSES (Independent supply / Retrofitting / Alteration / Modification work)	6	0	6
5.28	TRANSFORMERS-POWER-ABOVE 5MVA	9	0	9
5.29	TRANSFORMERS-DISTRIBUTION-UPTO 5MVA	12	0	12
5.30	TRANSFORMER-DISTRIBUTION (DRY TYPE)	14	0	14
5.31	DRY TYPE LIGHTING TRANSFORMER (LV)	13	0	13
5.32	Neutral Grounding Resistors/Transformers (NGR / NGT)	5	0	5
5.33	BUS DUCT (HV)	10	0	10
5.34	BUS DUCT (MV)	12	0	12
5.35	CAPACITOR BANK (MV/HV)	10	0	10
5.36	BATTERIES-LEAD ACID (FLOODED)	3	0	3
5.37	BATTERY CHARGERS	8	0	8
5.38	BATTERIES-LEAD ACID (VRLA)	5	0	5
5.39	BATTERIES-NICKLE CADMIUM	2	0	2
5.40	UPS SYSTEM	8	0	8
5.41	A.C. VARIABLE SPEED DRIVE	18	0	18
5.42	LIGHTNING ARRESTORS	6	0	6
5.43	EARTHING & LIGHTNING PROTECTION	4	0	4
5.44	MOTOR-INDUCTION-HV (INDUSTRIAL. TYPE SAFE AREA, EXD/EXE)	12	0	12
5.45	MOTOR-INDUCTION (HV INCREASED SAFETY ZN2, FLP/PRESSURIZED)	8	0	8
5.46	MOTOR INDUCTION-MV (INDL.TYPE SAFE AREA, EXD/EXE)	9	0	9
5.47	MOTOR-INDUCTION- MV (ZONE 2-TYPE E & N, FLP/PRESSURIZED)	8	0	8
5.48	MOTOR-INDUCTION-MV (FLAME PROOF)	9	0	9
5.49	SYNCHRONOUS MOTOR	7	0	7
5.50	MOTORS - IMPORTED	0	0	0
5.51	SYNCHRONOUS GENERATORS (HV)	5	0	5
5.52	DG SET / EMERGENCY GENERATORS (MV)	18	0	18
5.53	ACTUATORS-MOV	9	0	9
5.54	CONTROL STATIONS- WEATHERPROOF	11	0	11
5.55	CONTROL STATIONS / PANEL-FLAME PROOF	14	0	14
5.56	JUNCTION BOXES (FLAME PROOF)	12	0	12
5.57	LIGHTING FIXTURE & ACCESSORIES-HAZARDOUS	15	0	15

ITEM CATEGORY INDEX SHEET				
Sr.No	ITEM	Indian Vendors	Foreign Vendors	Total Vendors
5.58	LIGHTING & POWER PANELS (FLP)	7	0	7
5.59	PLUGS/SOCKETS/HANDLAMPS (FLAME PROOF)	9	0	9
5.60	HIGH MAST LIGHTING SYSTEM	3	0	3
5.61	LIGHTING FIXTURES (SAFE AREA)	7	0	7
5.62	LIGHTING & POWER PANELS (SAFE AREA)	14	0	14
5.63	EXTRA HIGH VOLTAGE –XLPE CABLES	8	0	8
5.64	CABLES-HIGH VOLTAGE-XLPE (FRLS)	14	0	14
5.65	MV POWER CABLE - FIRE SURVIVAL (FRLS)	9	0	9
5.66	CABLES-MEDIUM VOLTAGE-POWER-XLPE & PVC	21	0	21
5.67	CABLES: CONTROL-XLPE & PVC	29	0	29
5.68	CABLES-FIRE ALARM AND COMMN.	7	0	7
5.69	CONTROL CABLE - FIRE SURVIVAL (FRLS)	9	0	9
5.70	CABLES COMMUNICATION (JELLY FIELD)	10	0	10
5.71	PLANT COMMUNICATION (PA / PAGING) SYSTEM	2	0	2
5.72	TELEPHONE (Instrument / EPABX)	10	0	10
5.73	TETRA SYSTEM	5	0	5
5.74	FIRE ALARM SYSTEM	8	0	8
5.75	ELECTRICAL HEAT TRACING SYSTEM	8	0	8
5.76	CATHODIC PROTECTION SYSTEM	10	0	10
5.77	CABLE TRAYS GI /SS (Perforated /Ladder) & CABLE DUCTS	14	0	14
5.78	CABLE TRAYS FRP	4	0	4
5.79	CABLE JOINTS & TERMINATION KITS	7	0	7
5.80	CABLE GLANDS (FOR HAZARDOUS AREA)	10	0	10
5.81	LIGHTING POLES (GALVANISED)	3	0	3
5.82	NIFPS (NITROGEN INJECTED FIRE PROTECTION SYSTEM)	1	0	1
5.83	DC MOTORS	0	0	0
SECTION-D : INSTRUMENTATION ITEMS				
6.1	TUBE FITTINGS	18	0	18
6.2	INSTRUMENT TUBING	6	0	6
6.3	MACHINE MONITORING SYSTEMS	3	0	3
6.4	THERMO COUPLE EXTN.CABLES	8	0	8
6.5	SIGNAL CABLES	16	0	16
6.6	OPTICAL FIBRE CABLE & ASSOC.ITEM	14	0	14
6.7	FIELD BUS SIGNAL CABLES	4	0	4
6.8	SIGNAL CABLE - FIRE RESISTANT	12	0	12

ITEM CATEGORY INDEX SHEET				
Sr.No	ITEM	Indian Vendors	Foreign Vendors	Total Vendors
6.9	SPECIAL LEVEL INSTRUMENTS (TUNNING FORK)	7	0	7
6.10	COPPER TUBES (COATED, BARE)	8	0	8
6.11	CORROSION MONITORS	4	0	4
6.12	CONTROL VALVE POSITIONER / SMART POSITIONER	5	0	5
6.13	SOLENOID VALVES	7	0	7
6.14	CONTROL VALVES	19	0	19
6.15	PRESSURE RELIEF VALVE	13	0	13
6.16	INSTRUMENT VALVES & MANIFOLDS	21	0	21
6.17	TANK PR. PROTECT. DEVICES / FLAME ARRESSTER	6	0	6
6.18	ON-OFF VALVES	19	0	19
6.19	SELF ACTUATED PR. CONTROL VALVES	10	0	10
6.20	SPECIAL CONTROL VALVES (BUTTERFLY)	16	0	16
6.21	DESUPERHEATERS & PRDS	16	0	16
6.22	PR. REGULATOR & SLAM SHUT VALVES	3	0	3
6.23	PILOT OPERATED SAFETY VALVES	10	0	10
6.24	PROCESS STREAM ANALYSERS (O2-ZIRCONIA)	6	0	6
6.25	GAS CHROMATOGRAPH (PROCESS)	6	0	6
6.26	STACK GAS ANALYSER SYSTEMS (EXTRACTIVE)	8	0	8
6.27	AMBIENT AIR ANALYSER SYSTEMS	3	0	3
6.28	PROCESS STREAM ANALYSER (IR/UV)	7	0	7
6.29	PROCESS STREAM ANALYSER (H.C.-TCD/FID)	5	0	5
6.30	ANALYSER SYSTEMS	8	0	8
6.31	STACK GAS ANALYSER SYSTEMS (INSITU)	7	0	7
6.32	STACK GAS ANALYSERS (SPM)	7	0	7
6.33	ORIFICE PLATES & FLANGES	12	0	12
6.34	FLOW ELEMENTS : (VENTURI, FLOW NOZZLES)	9	0	9
6.35	TEMP. ELEMENTS, THERMOWELLS	13	0	13
6.36	SKIN THERMOCOUPLES	8	0	8
6.37	SPECIAL TEMPERATURE ELEMENTS	5	0	5
6.38	SURGE RELIEF VALVE	1	0	1
6.39	SPECIAL CONTROL VALVES (PLUG)	1	0	1
6.40	SPECIAL CONTROL VALVE (FLUSH BOTTOM)	2	0	2
6.41	WATER QUALITY ANALYSERS (SILICA)	5	0	5
6.42	WATER QUALITY ANALYSER-DISSOLVED OXYGEN	9	0	9
6.43	WATER QUALITY ANALYSER SYSTEMS	7	0	7

ITEM CATEGORY INDEX SHEET				
Sr.No	ITEM	Indian Vendors	Foreign Vendors	Total Vendors
6.44	PROCESS STREAM ANALYSER-MOISTURE/ DEW PT	2	0	2
6.45	PROCESS STREAM ANALYSER(PARAMAGNETIC-O2)	7	0	7
6.46	WATER QUALITY ANALYSERS (PH)	9	0	9
6.47	PROCESS STREAM ANALYSER(HYDROGEN-TCD)	4	0	4
6.48	PRODUCT QUALITY ANALYSER SYSTEMS	6	0	6
6.49	WATER QUALITY ANALYSERS (TURBIDITY)	7	0	7
6.50	WATER QUALITY ANALYSERS (CONDUCTIVITY)	9	0	9
6.51	PROCESS STREAM ANALYSER(IR/UV)	6	0	6
6.52	SO2 ANALYSER	2	0	2
6.53	WATER QUALITY ANALYSER-OIL IN H2O TOC/TC	4	0	4
6.54	WATER QUALITY ANALYSER-OIL IN H2O DISLVD	1	0	1
6.55	WATER QUALITY ANALYSERS(CHLORINE)	5	0	5
6.56	FLOW ELEMENTS-WEDGE TYPE	2	0	2
6.57	GAS DETECTION SYSTEMS	11	0	11
6.58	FIRE & GAS DETECTION SYSTEMS	6	0	6
6.59	PRODUCT QUALITY ANALYSERS (NIR)	4	0	4
6.60	PRODUCT QUALITY ANALYSERS (VISCOSITY)	2	0	2
6.61	PRODUCT QUALITY ANALYSERS (DENSITY)	2	0	2
6.62	PRODUCT QUALITY ANALYSERS (FLASH POINT)	3	0	3
6.63	PRODUCT QUALITY ANALYSERS (DISTILLATION)	1	0	1
6.64	PRODUCT QUALITY ANALYSER (SULPHUR)	2	0	2
6.65	STACK GAS ANALYSERS (O2-ZIRCONIA) + CO + CO2	5	0	5
6.66	ANALYSER-DENSITY/SP. GRAVITY (NUCLEONIC)	4	0	4
6.67	ANALYSER-DENSITY/SP GRAVITY (VIB CYLINDR)	3	0	3
6.68	ANALYSER-DENSITY/SP GRAVITY (CORIOLIS)	5	0	5
6.69	VEGA INDIA LEVEL & PRESSURE MEASUREMENT PVT LTD	2	0	2
6.70	WOBBE METERS	0	0	0
6.71	PROGRAMMABLE LOGIC CONTROLLERS (DMR)	9	0	9
6.72	PROGRAMMABLE LOGIC CONTROLLERS (TMR/QMR, SIL3 CERTIFIED)	7	0	7
6.73	PRESSURE GAUGES	13	0	13
6.74	DRAFT GAUGES	4	0	4
6.75	DIFFERENTIAL PRESSURE GAUGES	8	0	8
6.76	TEMP.GAUGES(BI METALLIC,FILLED SYSTEM)	11	0	11
6.77	VARIABLE AREA FLOW METERS(I,T)	12	0	12
6.78	MAGNETIC FLOW METERS	7	0	7

ITEM CATEGORY INDEX SHEET				
Sr.No	ITEM	Indian Vendors	Foreign Vendors	Total Vendors
6.79	TERMINAL AUTOMATION SYSTEM	6	0	6
6.80	POSITIVE DISPLACEMENT METERS	4	0	4
6.81	ULTRASONIC FLOW METER	10	0	10
6.82	VORTEX FLOW METER	7	0	7
6.83	TURBINE FLOW METERS	6	0	6
6.84	MASS FLOW METERS	11	0	11
6.85	GAUGE GLASSES & COCKS	11	0	11
6.86	DRUM LEVEL INSTRUMENTS (ELECTRONIC)	4	0	4
6.87	DRUM LEVEL INSTRUMENTS (BI-COLOUR GAUGE)	2	0	2
6.88	TANK LEVEL INSTRUMENTS (FLOAT OPERATED)	6	0	6
6.89	MAGNETIC LEVEL INSTRUMENTS	16	0	16
6.90	SPL. LEVEL INSTRUMENTS-GUIDED WAVE RADAR	6	0	6
6.91	TANK FARM MANAGEMENT SYSTEM	6	0	6
6.92	TANK LEVEL INSTRUMENT (SERVO TYPE)	4	0	4
6.93	SPECIAL LEVEL INSTRUMENTS (RF TYPE)	5	0	5
6.94	SPECIAL LEVEL INSTRUMENTS (CAP.& COND.)	8	0	8
6.95	NUCLEONIC LEVEL INSTRUMENTS	3	0	3
6.96	CLOSED CIRCUIT TV	9	0	9
6.97	FIELD INSTRUMENTS/TRANSMITTERS (P,DP,F,L,T,TD)	10	0	10
6.98	TANK LEVEL INSTRUMENT (RADAR,ULTRASONIC)	11	0	11
6.99	SPEED TANSMITTERS	3	0	3
6.100	CONTROL PANEL & ACCESSORIES	11	0	11
6.101	PREFABRICATED INSTRUMENT HOOKUPS	5	0	5
6.102	SP. CONTROL VALVE (KNIFE GATE)	5	0	5
6.103	FIRE PROTECTION SYSTEM (VALVES & ACC.)	2	0	2
6.104	ANALYSER-DENSITY/SP.GRAVITY(V.CYLNDR,CORLIS)	6	0	6
6.105	ANALYSER (AIR DEMAND/TOTAL SULPHUR)	0	0	0
6.106	AVERAGING PITOT TUBES	6	0	6
6.107	ANALYSERS (HYDROGEN SULPHIDE)	3	0	3
6.108	VISCOSITY METER	5	0	5
6.109	RUPTURE DISCS	2	0	2
6.110	METER PROVERS	2	0	2
6.111	GAS PRESSURE REDUCING SKIDS	8	0	8
6.112	GAS METERING SYSTEM (ULTRASONIC)	5	0	5
6.113	GAS METERING SYSTEM (TURBINE)	7	0	7

ITEM CATEGORY INDEX SHEET				
Sr.No	ITEM	Indian Vendors	Foreign Vendors	Total Vendors
6.114	GAS METERING SYSTEM -DUAL CHAMBR ORIFICE	3	0	3
6.115	LIQUID METERING SYSTEM (ULTRASONIC)	2	0	2
6.116	LIQUID METERING SYSTEM (TURBINE)	4	0	4
6.117	LIQUID METERING SYSTEM (P D METERS)	1	0	1
6.118	LIQUID METERING SYSTEM (MASS FLOW METER)	6	0	6
6.119	DISPLACER LEVEL INSTRUMENTS	7	0	7
6.120	DISTRIBUTED CONTROL SYSTEMS	8	0	8
6.121	TELEPHONE AND PAGING SYSTEMS	10	0	10
6.122	FOUNDATION FIELD BUS (FF JB'S)	3	0	3
6.123	JUNCTION BOXES (Flame Proof)	8	0	8
6.124	FLAME SCANNERS	2	0	2
6.125	PLC CABINETS / LOCAL CONTROL PANEL	7	0	7
6.126	OPACITY ANALYSERS	1	0	1
6.127	THERMAL MASS FLOWMETERS	4	0	4
6.128	MCT BLOCKS	4	0	4
6.129	BARRIERS (IS) / BARRIERS (FF)	2	0	2
6.130	BEACONS / HOOTERS/ MCP	5	0	5
6.131	AIR FILTER REGULATORS	13	0	13
6.132	ACCESS CONTROL SYSTEM	4	0	4
6.133	ANALYSER SHELTER	8	0	8
6.134	LOOP POWERED INDICATORS	7	0	7
6.135	FIRE PROOFING FOR INSTRUMENT ITEMS (FOR CABLE TRAYS/DUCTS)	3	0	3
6.136	SUNSHADE FOR FIELD INSTRUMENTS	2	0	2
6.137	METER RUN ASSEMBLY (INTEGRAL ORIFICE)	2	0	2
6.138	PROXIMITY TYPE LIMIT SWITCH	2	0	2
6.139	POSITION INDICATION SWITCHBOXES	2	0	2
6.140	TERMINAL BLOCKS	4	0	4
6.141	CABLE TRAY	14	0	14
6.142	INSTRUMENT DB&B BALL VALVES	6	0	6
6.143	MOTOR OPERATED VALVES	8	0	8
6.144	CORROSION COUPONS	0	0	0
6.145	OPTICAL PYROMETERS	0	0	0
6.146	SPECIAL CONTROL VALVES (AXIAL)	0	0	0
6.147	SPECIAL CONTROL VALVES (PISTON)	0	0	0
6.148	AUTOMATIC GAS SAMPLER	1	0	1

ITEM CATEGORY INDEX SHEET				
Sr.No	ITEM	Indian Vendors	Foreign Vendors	Total Vendors
6.149	PRODUCT QUALITY ANALYSERS (RVP)	2	0	2
6.150	TARGET FLOWMETERS	0	0	0
6.151	RECEIVER INSTRUMENTS	1	0	1
6.152	INFRARED TEMP MEASUREMENT SYSTEM	0	0	0
6.153	ANTI SURGE CONTROL	0	0	0
6.154	SPEED GOVERNOR FOR TURBINE	0	0	0
6.155	PRESSURE SWITCHES	8	0	8
6.156	SPECIAL CONTROL VALVES (ECC ROTARY PLUG)	6	0	6
6.157	BLENDING AUTOMATION SYSTEMS	5	0	5
6.158	GAUGE GLASSES & COCKS (HIGH PRESSURE SERVICES 900# & ABOVE)	4	0	4
6.159	MAGNETIC LEVEL GAUGES (HIGH PRESSURE SERVICES 900# & ABOVE)	2	0	2
6.160	PORTABLE NUCLEONIC SURVEY METER (BETA-GAMMA-NEUTRON)	0	0	0
6.161	SP CONTROL VALVES (ECCENTRIC DISC HI PERFORMANCE TYPE)	6	0	6
6.162	SPECIAL CONTROL VALVES (SEGMENTAL)	6	0	6
6.163	SPECIAL CONTROL VALVES (BALL CONTROL)	4	0	4
6.164	SPECIAL CONTROL VALVES (VARIABLE CV)	3	0	3
6.165	SPECIAL CONTROL VALVES (LOW CV)	5	0	5
6.166	SAFETY VALVE BOILER SERVICE	3	0	3
6.167	INTERFACE DEVICES	2	0	2
6.168	ACTUATORS-MOV	6	0	6
6.169	PROCESS STREAM ANALYSERS(ELECTROCHEM-02)	4	0	4
6.170	ALARM PANEL / ALARM ANNUNCIATOR	7	0	7
6.171	PUSH BUTTON AND INDICATING LAMPS	12	0	12
6.172	TUBE FITTINGS (SEAL OIL, LUBE OIL, HYDROCARBON	16	0	16
6.173	DIGITAL INDICATOR / DIGITAL MULTIPOINT INDICATOR	2	0	2
6.174	CONTROL VALVE - ANGLE TYPE	1	0	1
6.175	I/P CONVERTER	2	0	2
6.176	FLOW METER ULTRASONIC TYPE - For Flare Gas Application	2	0	2
6.177	CLAMP-ON ULTRASONIC FLOW TRANSMITTER	1	0	1
6.178	INSTRUMENT VALVES & MANIFOLDS FOR ANALYSERS / SAMPLING SYSTEMS	3	0	3
6.179	PRESSURE REGULATOR FOR ANALYSERS / SAMPLING SYSTEMS	4	0	4
6.180	GAS CYLINDER PRESSURE REGULATOR DUAL STAGE WITH PRESSURE GAUGE & SAFETY VALVE FOR ANALYSERS / SAMPLING SYSTEMS	5	0	5

ITEM CATEGORY INDEX SHEET				
Sr.No	ITEM	Indian Vendors	Foreign Vendors	Total Vendors
6.181	PELTIER / COMPRESSOR COOLER FOR GAS SAMPLE FOR ANALYSERS / SAMPLING SYSTEMS	3	0	3
6.182	DIAPHRAGM PUMP SINGLE / DOUBLE STAGE / HEAD PUMP FOR GAS SAMPLE FOR ANALYSERS / SAMPLING SYSTEMS	3	0	3
6.183	PURGE CONTROLLER FOR PANEL FOR ANALYSERS / SAMPLING V ^{SY} O ^{SR} T ^E M ^S COOLER FOR ANALYSERS FOR ANALYSERS / SAMPLING	2	0	2
6.184	SYSTEMS	1	0	1
6.185	FILTERS FOR ANALYSERS / SAMPLING SYSTEMS	4	0	4
6.186	HOT EXTRACTION SAMPLE PROBE FOR ANALYSERS / SAMPLING SYSTEMS	2	0	2
6.187	BULK POWER SUPPLY WITH SMPS (24 V DC) FOR ANALYSERS / SAMPLING SYSTEMS	3	0	3
6.188	ETHERNET SWITCHES	0	0	0
6.189	HMI SOFTWARE	0	0	0
6.190	ELECTROMECHANICAL RELAY	9	0	9
6.191	CONDITION MONITORING SYSTEM	0	0	0

		tkIS India - MRPL
		REV.: 0
		17-09-2020
VENDOR LIST		
Sr.No	VENDOR NAME	COUNTRY
1	STATIC EQUIPMENT	
1.1	PRESSURE VESSEL -CS (UP TO 25MM)	
A	INDIAN BIDDERS	
1.1.1	ABF ENGINEERING INTERNATIONAL PVT. LTD.	INDIA
1.1.2	ACOUSTICS INDIA PVT LTD	INDIA
1.1.3	ADOR WELDING LTD.	INDIA
1.1.4	AERO ENGINEERS	INDIA
1.1.5	ALFA LAVAL INDIA LTD	INDIA
1.1.6	ALSTOM PROJECTS INDIA LIMITED (ABB – ABL LTD.)	INDIA
1.1.7	ANUP ENGINEERING LIMITED (THE)	INDIA
1.1.8	BARODA EQUIPMENT AND VESSELS PVT LTD	INDIA
1.1.9	BEEKAY ENGINEERING CORPORATION	INDIA
1.1.10	BHEL	INDIA
1.1.11	BILFINGER PLANT EQUIPMENTS PVT LTD (FML)	INDIA
1.1.12	BTL EPC LIMITED	INDIA
1.1.13	BUILDWORTH LIMITED	INDIA
1.1.14	CHANDERPUR INDUSTRIES PVT LTD	INDIA
1.1.15	CICB-CHEMICON PVT.LTD.	INDIA
1.1.16	ESSAR HEAVY ENGG SERVICES (UNIT OF EPIL)	INDIA
1.1.17	EXPO GAS CONTAINERS LTD.	INDIA
1.1.18	FABTECH PROJECTS & ENGINEERS LTD.	INDIA
1.1.19	FAB-TECH WORKS & CONSTN. PVT LTD.	INDIA
1.1.20	FACT ENGINEERING WORKS	INDIA
1.1.21	FURNACE FABRICA (INDIA) LIMITED	INDIA
1.1.22	GEECY ENGINEERING PVT LTD	INDIA
1.1.23	GMM PFAUDLER LTD	INDIA
1.1.24	GODREJ & BOYCE MFG. CO. LTD.	INDIA

VENDOR LIST

Sr.No	VENDOR NAME	COUNTRY
1.1.25	GR ENGINEERNG PRIVATE LTD (TARAPORE)	INDIA
1.1.26	GRAND PRIX ENGINEERING PVT LTD.	INDIA
1.1.27	GRASIM INDUSTRIES	INDIA
1.1.28	HDO TECHNOLOGIES LTD. INDIA	INDIA
1.1.29	INDCON PROJECTS & EQUIPMENTS LTD	INDIA
1.1.30	INDIA TUBE MILLS & METAL IND LTD	INDIA
1.1.31	INDUS PROJECTS LIMITED	INDIA
1.1.32	INDUSTRIAL MANUFACTURERS	INDIA
1.1.33	ISGEC HEAVY ENGINEERING LTD	INDIA
1.1.34	ISGEC HITACHI ZOSEN LTD	INDIA
1.1.35	JINDAL STEEL & POWER LTD	INDIA
1.1.36	LLOYDS STEELS INDUSTRIES LTD.	INDIA
1.1.37	LOYAL EQUIPMENT PVT. LTD.	INDIA
1.1.38	MCNALLY SAYAJI ENGINEERING LTD	INDIA
1.1.39	MEENAKSHI ASSOCIATES PVT LTD	INDIA
1.1.40	MULTIMAX ENGINEERING WORKS PVT LTD	INDIA
1.1.41	MULTITEX FILTRATION ENGINEERS LTD.	INDIA
1.1.42	NEW FIELD INDUSTRIAL EQUIPMENT PVT LTD	INDIA
1.1.43	NEWTON ENGG & CHEMICALS LTD	INDIA
1.1.44	NILE LIMITED	INDIA
1.1.45	NOVATECH PROCESS EQUIPMENT	INDIA
1.1.46	NOVATECH PROJECTS INDIA PVT LTD	INDIA
1.1.47	ORIENTAL ENTERPRISE PVT. LTD	INDIA
1.1.48	OSWAL INFRASTRUCTURE LIMITED	INDIA
1.1.49	PATELS AIRTEMP (INDIA) LTD	INDIA
1.1.50	PHILS HEAVY ENGINEERING PVT LIMITED	INDIA
1.1.51	PRABHA STEEL INDUSTRIES	INDIA
1.1.52	PRAJ INDUSTRIES LIMITED	INDIA
1.1.53	PRECISION EQUIPMENTS (CHENNAI) PVT LTD	INDIA
1.1.54	PROGEN SYSTEMS & TECHNOLOGIES LTD	INDIA
1.1.55	R. D. ENGINEERS (INDIA) PVT. LTD	INDIA
1.1.56	RADIANT HEAT EXCHANGER PVT.LTD.	INDIA
1.1.57	RAJ ENGINEERING COMPANY	INDIA

VENDOR LIST		
Sr.No	VENDOR NAME	COUNTRY
1.1.58	RAVI INDUSTRIES	INDIA
1.1.59	RELIANCE FABRICATIONS PVT LTD	INDIA
1.1.60	SAURASHTRA ENGINEERING CORPN. PVT LTD	INDIA
1.1.61	SHARP TANKS & STRUCTURALS (P) LTD	INDIA
1.1.62	SHREE SATYANARAYAN IND. SUPP. PVT. LTD	INDIA
1.1.63	SHRI LAKSHMI PRABHA ENGG INDUSTRIES P LTD	INDIA
1.1.64	SREE RAMAKRISHNA ENGINEERING ENTERPRISES	INDIA
1.1.65	SUDHIR BROTHERS	INDIA
1.1.66	TECHNIP INDIA LTD.	INDIA
1.1.67	TECHNO PROCESS EQUIPMENTS (INDIA) PV LTD	INDIA
1.1.68	TEMASME VESELEX INDIA PVT. LTD.	INDIA
1.1.69	TITANIUM EQUIPMENT AND ANODE MFG.CO.LTD	INDIA
1.1.70	UNIQUE CHEMOPLANT EQUIPMENTS	INDIA
1.1.71	UNITED HEAT TRANSFER PVT LTD	INDIA
1.1.72	VIJAY TANKS & VESSELS PVT LTD	INDIA
1.1.73	WALCHANDNAGAR INDUSTRIES LTD.	INDIA
1.1.74	ISHAN EQUIPMENT PVT LTD	INDIA
1.1.75	NUBERG ENGINERING LTD	INDIA
1.1.76	REYNOLDS CHEM EQUIPMENT PVT LTD	INDIA
1.1.77	UNIVERSAL HEAT EXCHANGERS LTD.	INDIA
1.2	POLYMERISER REACTOR SYSTEM	
A	INDIAN BIDDERS	
1.2.1	ZEPPELIN SYSTEMS GMBH India	INDIA
1.3	PRESSURE VESSEL -CS (26-50MM)	
A	INDIAN BIDDERS	
1.3.1	ALSTOM PROJECTS INDIA LIMITED (ABB – ABL LTD.)	INDIA
1.3.2	ANUP ENGINEERING LIMITED (THE)	INDIA
1.3.3	BEEKAY ENGINEERING CORPORATION	INDIA
1.3.4	BHEL	INDIA
1.3.5	BILFINGER PLANT EQUIPMENTS PVT LTD (FML)	INDIA
1.3.6	BUILDWORTH LIMITED	INDIA
1.3.7	CHANDERPUR INDUSTRIES PVT LTD	INDIA
1.3.8	ESSAR HEAVY ENGG SERVICES (UNIT OF EPIL)	INDIA

VENDOR LIST		
Sr.No	VENDOR NAME	COUNTRY
1.3.9	EXPO GAS CONTAINERS LTD.	INDIA
1.3.10	FABTECH PROJECTS & ENGINEERS LTD.	INDIA
1.3.11	FAB-TECH WORKS & CONSTN. PVT LTD.	INDIA
1.3.12	GEECY ENGINEERING PVT LTD	INDIA
1.3.13	GMM PFAUDLER LTD	INDIA
1.3.14	GODREJ & BOYCE MFG. CO. LTD.	INDIA
1.3.15	GR ENGINEERNG PRIVATE LTD (TARAPORE)	INDIA
1.3.16	GRAND PRIX ENGINEERING PVT LTD.	INDIA
1.3.17	GRASIM INDUSTRIES	INDIA
1.3.18	INDCON PROJECTS & EQUIPMENTS LTD	INDIA
1.3.19	INDIAN TUBE MILLS & METAL IND. LTD	INDIA
1.3.20	INDUS PROJECTS LIMITED	INDIA
1.3.21	INDUSTRIAL MANUFACTURERS	INDIA
1.3.22	ISGEC HEAVY ENGINEERING LTD	INDIA
1.3.23	ISGEC HITACHI ZOSEN LTD	INDIA
1.3.24	JINDAL STEEL & POWER LTD	INDIA
1.3.25	THE KCP LIMITED	INDIA
1.3.26	LARSEN & TOUBRO LTD	INDIA
1.3.27	LLOYDS STEELS INDUSTRIES LTD.	INDIA
1.3.28	MEENAKSHI ASSOCIATES PVT. LTD.	INDIA
1.3.29	MULTITEX FILTRATION ENGINEERS LTD.	INDIA
1.3.30	NEW FIELD INDUSTRIAL EQUIPMENT PVT LTD	INDIA
1.3.31	NILE LIMITED	INDIA
1.3.32	ORIENTAL ENTERPRISE PVT. LTD	INDIA
1.3.33	PATELS AIRTEMP (INDIA) LTD	INDIA
1.3.34	PHILS HEAVY ENGINEERING PVT LIMITED	INDIA
1.3.35	PRABHA STEEL INDUSTRIES	INDIA
1.3.36	PRAJ INDUSTRIES LIMITED	INDIA
1.3.37	PRECISION EQUIPMENTS (CHENNAI) PVT LTD	INDIA
1.3.38	R. D. ENGINEERS (INDIA) PVT. LTD	INDIA
1.3.39	RAJ ENGINEERING COMPANY	INDIA
1.3.40	RAVI INDUSTRIES	INDIA
1.3.41	SAURASHTRA ENGINEERING CORPN. PVT LTD	INDIA

VENDOR LIST		
Sr.No	VENDOR NAME	COUNTRY
1.3.42	SHARP TANKS & STRUCTURALS (P) LTD	INDIA
1.3.43	TECHNO PROCESS EQUIPMENTS (INDIA) PV LTD	INDIA
1.3.44	UNIQUE CHEMOPLANT EQUIPMENTS	INDIA
1.3.45	VIJAY TANKS & VESSELS PVT LTD	INDIA
1.3.46	WALCHANDNAGAR INDUSTRIES LTD.	INDIA
1.3.47	HINDUSTAN DORR OLIVER	INDIA
1.3.48	ISHAN EUIPMENTS PVT LTD	INDIA
1.3.49	NEWTON ENGINEERING AND CHEMICAL	INDIA
1.3.50	UNIVERSAL HEAT EXCHANGERS	INDIA
1.4	PRESSURE VESSEL-CS (51-100MM)	
A	INDIAN BIDDERS	
1.4.1	ALSTOM PROJECTS INDIA LIMITED (ABB – ABL LTD.)	INDIA
1.4.2	ANUP ENGINEERING LIMITED (THE)	INDIA
1.4.3	BHEL	INDIA
1.4.4	BILFINGER PLANT EQUIPMENTS PVT LTD (FML)	INDIA
1.4.5	ESSAR HEAVY ENGG SERVICES (UNIT OF EPIL)	INDIA
1.4.6	FAB-TECH WORKS & CONSTN. PVT LTD.	INDIA
1.4.7	GODREJ & BOYCE MFG. CO. LTD.	INDIA
1.4.8	GR ENGINEERNG PRIVATE LTD (TARAPORE)	INDIA
1.4.9	INDUS PROJECTS LIMITED	INDIA
1.4.10	ISGEC HEAVY ENGINEERING LTD	INDIA
1.4.11	ISGEC HITACHI ZOSEN LTD	INDIA
1.4.12	THE KCP LIMITED	INDIA
1.4.13	LARSEN & TOUBRO LTD	INDIA
1.4.14	LLOYDS STEELS INDUSTRIES LTD.	INDIA
1.4.15	PATELS AIRTEMP (INDIA) LTD	INDIA
1.4.16	PHILS HEAVY ENGINEERING PVT LIMITED	INDIA
1.4.17	PRAJ INDUSTRIES LIMITED	INDIA
1.4.18	PRECISION EQUIPMENTS (CHENNAI) PVT LTD	INDIA
1.4.19	TECHNO PROCESS EQUIPMENTS (INDIA) PV LTD	INDIA
1.4.20	VIJAY TANKS & VESSELS PVT LTD	INDIA
1.4.21	WALCHANDNAGAR INDUSTRIES LTD.	INDIA
1.4.22	INDIA TUBE MILLS AND METALS INDIA LTD	INDIA

VENDOR LIST		
Sr.No	VENDOR NAME	COUNTRY
1.5	PRESSURE VESSEL-CS (>100MM)	
A	INDIAN BIDDERS	
1.5.1	BHEL	INDIA
1.5.2	ESSAR HEAVY ENGG SERVICES (UNIT OF EPIL)	INDIA
1.5.3	GODREJ & BOYCE MFG. CO. LTD.	INDIA
1.5.4	GR ENGINEERNG PRIVATE LTD	INDIA
1.5.5	ISGEC HEAVY ENGINEERING LTD	INDIA
1.5.6	ISGEC HITACHI ZOSEN LTD	INDIA
1.5.7	LARSEN & TOUBRO LTD	INDIA
1.5.8	LLOYDS STEELS INDUSTRIES LTD	INDIA
1.5.9	PRAJ INDUSTRIES LIMITED	INDIA
1.6	PRESSURE VESSEL-SS (UP TO 25MM)	
A	INDIAN BIDDERS	
1.6.1	ABF ENGINEERING INTERNATIONAL PVT. LTD.	INDIA
1.6.2	ACOUSTICS INDIA PVT LTD	INDIA
1.6.3	ADOR WELDING LTD.	INDIA
1.6.4	AERO ENGINEERS	INDIA
1.6.5	ALFA LAVAL INDIA LTD	INDIA
1.6.6	ALSTOM PROJECTS INDIA LIMITED (ABB – ABL LTD.)	INDIA
1.6.7	BHEL	INDIA
1.6.8	BTL EPC LIMITED	INDIA
1.6.9	ESSAR HEAVY ENGG SERVICES (UNIT OF EPIL)	INDIA
1.6.10	EXPO GAS CONTAINERS LTD.	INDIA
1.6.11	FABTECH PROJECTS & ENGINEERS LTD.	INDIA
1.6.12	FAB-TECH WORKS & CONSTN. PVT LTD.	INDIA
1.6.13	GEECY ENGINEERING PVT LTD	INDIA
1.6.14	GEMINI ENGI-FAB LIMITED	INDIA
1.6.15	GMM PFAUDLER LTD	INDIA
1.6.16	GODREJ & BOYCE MFG. CO. LTD.	INDIA
1.6.17	GR ENGINEERNG PRIVATE LTD (TARAPORE)	INDIA
1.6.18	GRAND PRIX ENGINEERING PVT LTD.	INDIA
1.6.19	INDCON PROJECTS & EQUIPMENTS LTD	INDIA
1.6.20	INDUS PROJECTS LIMITED	INDIA

VENDOR LIST

Sr.No	VENDOR NAME	COUNTRY
1.6.21	INDUSTRIAL MANUFACTURERS	INDIA
1.6.22	ISGEC HEAVY ENGINEERING LTD	INDIA
1.6.23	ISGEC HITACHI ZOSEN LTD	INDIA
1.6.24	JINDAL STEEL & POWER LTD	INDIA
1.6.25	LARSEN & TOUBRO LTD	INDIA
1.6.26	LLOYDS STEELS INDUSTRIES LTD.	INDIA
1.6.27	MULTITEX FILTRATION ENGINEERS LTD.	INDIA
1.6.28	NEW FIELD INDUSTRIAL EQUIPMENT PVT LTD	INDIA
1.6.29	NILE LIMITED	INDIA
1.6.30	NOVATECH PROJECTS INDIA PVT LTD	INDIA
1.6.31	ORIENTAL ENTERPRISE PVT. LTD	INDIA
1.6.32	PATELS AIRTEMP (INDIA) LTD	INDIA
1.6.33	PHILS HEAVY ENGINEERING PVT LIMITED	INDIA
1.6.34	PRABHA STEEL INDUSTRIES	INDIA
1.6.35	PRAJ INDUSTRIES LIMITED	INDIA
1.6.36	PRECISION EQUIPMENTS (CHENNAI) PVT LTD	INDIA
1.6.37	R. D. ENGINEERS (INDIA) PVT. LTD	INDIA
1.6.38	RADIANT HEAT EXCHANGER PVT.LTD.	INDIA
1.6.39	RAJ ENGINEERING COMPANY	INDIA
1.6.40	RELIANCE FABRICATIONS PVT LTD	INDIA
1.6.41	SHARP TANKS & STRUCTURALS (P) LTD	INDIA
1.6.42	SHREE SATYANARAYAN IND. SUPP. PVT. LTD	INDIA
1.6.43	SPARKON ENGINEERS	INDIA
1.6.44	TECHNIP INDIA LTD.	INDIA
1.6.45	TECHNO PROCESS EQUIPMENTS (INDIA) PV LTD	INDIA
1.6.46	THE KCP LIMITED	INDIA
1.6.47	TITANIUM EQUIPMENT AND ANODE MFG.CO.LTD	INDIA
1.6.48	VIJAY TANKS & VESSELS PVT LTD	INDIA
1.6.49	WALCHANDNAGAR INDUSTRIES LTD.	INDIA
1.6.50	ARJUN TECHNOLOGIES (INDIA) LTD	INDIA
1.6.51	HDO TECHNOLOGIES LTD	INDIA
1.6.52	INDIA TUBE MILLS & METALS INDIA LTD	INDIA
1.6.53	ISHAN EQUIPMENTS PVT LTD	INDIA

VENDOR LIST		
Sr.No	VENDOR NAME	COUNTRY
1.6.54	LOYAL EQUIPMENTS PVT LTD	INDIA
1.6.55	MEENAKSHI ASSOCIATES PVT LTD	INDIA
1.6.56	NUBERG ENGINEERING LTD	INDIA
1.6.57	REYNOLD CHEM EQUIPMENTS PVT LTD	INDIA
1.6.58	SUNGJIN GEOTECH CO.LTD	INDIA
1.6.59	UNIVERSAL HEAT EXCHANGERS LTD	INDIA
1.7	PRESSURE VESSEL-SS (FROM 26MM to 50 MM)	
A	INDIAN BIDDERS	
1.7.1	ANUP ENGINEERING LIMITED	INDIA
1.7.2	ALSTOM PROJECTS INDIA LIMITED (ABB – ABL LTD.)	INDIA
1.7.3	BHEL	INDIA
1.7.4	CHANDERPUR INDUSTRIES PVT.LTD.	INDIA
1.7.5	ESSAR HEAVY ENGG SERVICES (UNIT OF EPIL)	INDIA
1.7.6	EXPO GAS CONTAINERS LTD.	INDIA
1.7.7	FABTECH PROJECTS & ENGINEERS LTD	INDIA
1.7.8	GEECY ENGINEERING PVT LTD	INDIA
1.7.9	GMM PFAUDLER LTD	INDIA
1.7.10	GODREJ & BOYCE MFG. CO. LTD.	INDIA
1.7.11	GR ENGINEERNG PRIVATE LTD	INDIA
1.7.12	INDUS PROJECTS LIMITED	INDIA
1.7.13	INDUSTRIAL MANUFACTURERS	INDIA
1.7.14	ISGEC HEAVY ENGINEERING LTD	INDIA
1.7.15	ISGEC HITACHI ZOSEN LTD	INDIA
1.7.16	THE KCP LIMITED	INDIA
1.7.17	LARSEN & TOUBRO LTD	INDIA
1.7.18	LLOYDS STEELS INDUSTRIES LTD	INDIA
1.7.19	NEW FIELD INDUSTRIAL EQUIPMENT PVT LTD	INDIA
1.7.20	NILE LIMITED	INDIA
1.7.21	ORIENTAL ENTERPRISE PVT. LTD	INDIA
1.7.22	PATELS AIRTEMP (INDIA) LTD	INDIA
1.7.23	PHILS HEAVY ENGINEERING PVT LIMITED	INDIA
1.7.24	PRAJ INDUSTRIES LIMITED	INDIA
1.7.25	PRECISION EQUIPMENTS (CHENNAI) PVT LTD	INDIA

VENDOR LIST		
Sr.No	VENDOR NAME	COUNTRY
1.7.26	R. D. ENGINEERS (INDIA) PVT. LTD	INDIA
1.7.27	RADIANT HEAT EXCHANGER PVT.LTD.	INDIA
1.7.28	SHARP TANKS & STRUCTURALS (P) LTD	INDIA
1.7.29	VIJAY TANKS & VESSELS PVT LTD	INDIA
1.7.30	CHANDERPUR INDUSTRIES PVT.LTD.	INDIA
1.7.31	WALCHANDNAGAR INDUSTRIES LTD.	INDIA
1.7.32	INDIA TUBE MILLS & METALS INDIA LTD	INDIA
1.7.33	SUNGJIN GEOTECH CO.LTD	INDIA
1.8	PRESSURE VESSEL-SS (> 50 MM)	
A	INDIAN BIDDERS	
1.8.1	BHEL	INDIA
1.8.2	GODREJ & BOYCE MFG. CO. LTD.	INDIA
1.8.3	GR ENGINEERNG PRIVATE LTD	INDIA
1.8.4	ISGEC HEAVY ENGINEERING LTD	INDIA
1.8.5	ISGEC HITACHI ZOSEN LTD	INDIA
1.8.6	LARSEN & TOUBRO LTD	INDIA
1.8.7	LLOYDS STEELS INDUSTRIES LTD	INDIA
1.8.8	PATELS AIRTEMP (INDIA) LTD	INDIA
1.8.9	PHILS HEAVY ENGINEERING PVT LIMITED	INDIA
1.8.10	PRECISION EQUIPMENTS (CHENNAI) PVT LTD	INDIA
1.8.11	TITANIUM EQUIPMENT AND ANODE MFG.CO.LTD.	INDIA
1.9	PRESSURE VESSEL -LOW ALLOY STEEL	
A	INDIAN BIDDERS	
1.9.1	ANUP ENGINEERING LIMITED (THE)	INDIA
1.9.2	BHEL	INDIA
1.9.3	ESSAR HEAVY ENGG SERVICES (UNIT OF EPIL)	INDIA
1.9.4	FABTECH PROJECTS & ENGINEERS LTD.	INDIA
1.9.5	GMM PFAUDLER LTD	INDIA
1.9.6	GODREJ & BOYCE MFG. CO. LTD.	INDIA
1.9.7	GR ENGINEERNG PRIVATE LTD (TARAPORE)	INDIA
1.9.8	INDCON PROJECTS & EQUIPMENTS LTD	INDIA
1.9.9	INDUS PROJECTS LIMITED	INDIA
1.9.10	ISGEC HEAVY ENGINEERING LTD	INDIA

VENDOR LIST		
Sr.No	VENDOR NAME	COUNTRY
1.9.11	ISGEC HITACHI ZOSEN LTD	INDIA
1.9.12	LARSEN & TOUBRO LTD	INDIA
1.9.13	LLOYDS STEELS INDUSTRIES LTD.	INDIA
1.9.14	PATELS AIRTEMP (INDIA) LTD	INDIA
1.9.15	PHILS HEAVY ENGINEERING PVT LIMITED	INDIA
1.9.16	PRECISION EQUIPMENTS (CHENNAI) PVT LTD	INDIA
1.9.17	RAJ ENGINEERING COMPANY	INDIA
1.9.18	TECHNIP INDIA LTD.	INDIA
1.9.19	TECHNO PROCESS EQUIPMENTS (INDIA) PV LTD	INDIA
1.9.20	VIJAY TANKS & VESSELS PVT LTD	INDIA
1.9.21	WALCHANDNAGAR INDUSTRIES LTD.	INDIA
1.9.22	HDO TECHNOLOGIES LTD	INDIA
1.9.23	HYUNDAI HEAVY INDUSTRIES CO.LTD	INDIA
1.9.24	IL SUNG ENGINEERING & COST CO.LTD	INDIA
1.9.25	SUNGJIN GEOTECH CO.LTD	INDIA
1.9.26	UNIVERSAL HEAT EXCHANGERS LTD	INDIA
1.10	PRESSURE VESSEL – LTCS	
A	INDIAN BIDDERS	
1.10.1	AERO ENGINEERS	INDIA
1.10.2	ANUP ENGINEERING LIMITED (THE)	INDIA
1.10.3	BHEL	INDIA
1.10.4	ESSAR HEAVY ENGG SERVICES (UNIT OF EPIL)	INDIA
1.10.5	EXPO GAS CONTAINERS LTD.	INDIA
1.10.6	FABTECH PROJECTS & ENGINEERS LTD.	INDIA
1.10.7	FAB-TECH WORKS & CONSTN. PVT LTD.	INDIA
1.10.8	GMM PFAUDLER LTD	INDIA
1.10.9	GODREJ & BOYCE MFG. CO. LTD.	INDIA
1.10.10	GR ENGINEERING PRIVATE LTD (TARAPORE)	INDIA
1.10.11	GRAND PRIX ENGINEERING PVT LTD.	INDIA
1.10.12	INDCON PROJECTS & EQUIPMENTS LTD	INDIA
1.10.13	INDIA TUBE MILLS AND METAL INDIA LTD.	INDIA
1.10.14	INDUS PROJECTS LIMITED	INDIA
1.10.15	ISGEC HEAVY ENGINEERING LTD	INDIA

VENDOR LIST		
Sr.No	VENDOR NAME	COUNTRY
1.10.16	ISGEC HITACHI ZOSEN LTD	INDIA
1.10.17	JINDAL STEEL & POWER LTD	INDIA
1.10.18	LARSEN & TOUBRO LTD	INDIA
1.10.19	LLOYDS STEELS INDUSTRIES LTD.	INDIA
1.10.20	MEENAKSHI ASSOCIATES PVT. LTD.	INDIA
1.10.21	NILE LIMITED	INDIA
1.10.22	ORIENTAL ENTERPRISE PVT. LTD	INDIA
1.10.23	PATELS AIRTEMP (INDIA) LTD	INDIA
1.10.24	PHILS HEAVY ENGINEERING PVT LIMITED	INDIA
1.10.25	PRECISION EQUIPMENTS (CHENNAI) PVT LTD	INDIA
1.10.26	R. D. ENGINEERS (INDIA) PVT. LTD	INDIA
1.10.27	RAJ ENGINEERING COMPANY	INDIA
1.10.28	SUNGJIN GEOTECH CO. LTD	INDIA
1.10.29	TECHNO PROCESS EQUIPMENTS (INDIA) PV LTD	INDIA
1.10.30	TEMASME VESELEX INDIA PVT. LTD.	INDIA
1.10.31	VIJAY TANKS & VESSELS PVT LTD	INDIA
1.10.32	WALCHANDNAGAR INDUSTRIES LTD.	INDIA
1.10.33	HDO TECHNOLOGIES LTD	INDIA
1.10.34	INDUSTRIAL MANUFACTURERS	INDIA
1.10.35	REYNOLDS CHEM EQUIPMENTS LTD	INDIA
1.10.36	UNIVERSAL HEAT EXCHANGERS	INDIA
1.11	PRESSURE VESSEL-CS/LAS+SS CLAD	
A	INDIAN BIDDERS	
1.11.1	ALFA LAVAL INDIA LTD	INDIA
1.11.2	ANUP ENGINEERING LIMITED (THE)	INDIA
1.11.3	BHEL	INDIA
1.11.4	ESSAR HEAVY ENGG SERVICES (UNIT OF EPIL)	INDIA
1.11.5	EXPO GAS CONTAINERS LTD.	INDIA
1.11.6	FABTECH PROJECTS & ENGINEERS LTD.	INDIA
1.11.7	GEECY ENGINEERING PVT LTD	INDIA
1.11.8	GODREJ & BOYCE MFG. CO. LTD.	INDIA
1.11.9	GR ENGINEERNG PRIVATE LTD (TARAPORE)	INDIA
1.11.10	INDIA TUBE MILLS AND METALS INDIA LTD.	INDIA

VENDOR LIST		
Sr.No	VENDOR NAME	COUNTRY
1.11.11	INDUS PROJECTS LIMITED	INDIA
1.11.12	ISGEC HEAVY ENGINEERING LTD	INDIA
1.11.13	ISGEC HITACHI ZOSEN LTD	INDIA
1.11.14	LARSEN & TOUBRO LTD	INDIA
1.11.15	LLOYDS STEELS INDUSTRIES LTD.	INDIA
1.11.16	PATELS AIRTEMP (INDIA) LTD	INDIA
1.11.17	PHILS HEAVY ENGINEERING PVT LIMITED	INDIA
1.11.18	PRECISION EQUIPMENTS (CHENNAI) PVT LTD	INDIA
1.11.19	R. D. ENGINEERS (INDIA) PVT. LTD	INDIA
1.11.20	TECHNO PROCESS EQUIPMENTS (INDIA) PV LTD	INDIA
1.11.21	TITANIUM EQUIPMENT AND ANODE MFG.CO.LTD	INDIA
1.11.22	VIJAY TANKS & VESSELS PVT LTD	INDIA
1.11.23	INDUSTRIAL MANUFACTURERS	INDIA
1.11.24	UNIVERSAL HEAT EXCHANGERS	INDIA
1.11.25	WALCHANDNAGAR INDUSTRIES LTD	INDIA
1.12	PRESSURE VESSEL-MONEL CLADDED	
A	INDIAN BIDDERS	
1.12.1	ALFA LAVAL INDIA LTD	INDIA
1.12.2	ANUP ENGINEERING LIMITED (THE)	INDIA
1.12.3	BHEL	INDIA
1.12.4	ESSAR HEAVY ENGG SERVICES(UNIT OF EPIL)	INDIA
1.12.5	EXPO GAS CONTAINERS LTD. India	INDIA
1.12.6	GEECY ENGINEERING PVT LTD India	INDIA
1.12.7	GODREJ & BOYCE MFG. CO. LTD. India	INDIA
1.12.8	ISGEC HEAVY ENGINEERING LTD India	INDIA
1.12.9	ISGEC HITACHI ZOSEN LTD India	INDIA
1.12.10	LARSEN & TOUBRO LTD India	INDIA
1.12.11	PHILS HEAVY ENGINEERING PVT LIMITED India	INDIA
1.12.12	R. D. ENGINEERS (INDIA) PVT. LTD India	INDIA
1.12.13	TITANIUM EQUIPMENT AND ANODE MFG.CO.LTD	INDIA
1.13	PRESSURE VESSEL- MONEL	
A	INDIAN BIDDERS	
1.13.1	ALFA LAVAL INDIA LTD	INDIA

VENDOR LIST		
Sr.No	VENDOR NAME	COUNTRY
1.13.2	ANUP ENGINEERING LIMITED (THE)	INDIA
1.13.3	PHILS HEAVY ENGINEERING PVT LIMITED India	INDIA
1.13.4	TITANIUM EQUIPMENT AND ANODE MFG.CO.LTD	INDIA
1.14	CYCLONES (REACTOR & REGENERATOR)	
A	INDIAN BIDDERS	
1.15	DEMISTER-WIRE MESH TYPE	
A	INDIAN BIDDERS	
1.15.1	CONTINENTAL PROFILES LTD	INDIA
1.15.2	EVERGREEN TECHNOLOGIES PVT.LTD.	INDIA
1.15.3	HAYER STANDARD INDIA PVT LTD	INDIA
1.15.4	MUNTERS INDIA HUMISITY CONTROL PVT. LTD.	INDIA
1.15.5	KOCH CHEMICAL TECH. GROUP INDIA PVT LTD	INDIA
1.15.6	KEVIN ENTERPRISES PVT LTD	INDIA
1.15.7	PACE ENGINEERING INDUSTRIES PVT. LTD.	INDIA
1.15.8	JEETMULL JAICHANDLALL PVT LTD INDIA	INDIA
1.16	COLUMN/TOWER CARBON STEEL	
A	INDIAN BIDDERS	
1.16.1	ALFA LAVAL INDIA LTD	INDIA
1.16.2	ANUP ENGINEERING LIMITED (THE)	INDIA
1.16.3	BHEL	INDIA
1.16.4	BTL EPC LIMITED	INDIA
1.16.5	ESSAR HEAVY ENGG SERVICES (UNIT OF EPIL)	INDIA
1.16.6	EXPO GAS CONTAINERS LTD.	INDIA
1.16.7	FABTECH PROJECTS & ENGINEERS LTD.	INDIA
1.16.8	FAB-TECH WORKS & CONSTN. PVT LTD.	INDIA
1.16.9	GEECY ENGINEERING PVT LTD	INDIA
1.16.10	GEMINI ENGI-FAB LTD	INDIA
1.16.11	GODREJ & BOYCE MFG. CO. LTD.	INDIA
1.16.12	GR ENGINEERNG PRIVATE LTD (TARAPORE)	INDIA
1.16.13	IL SUNG ENGINEERING	INDIA
1.16.14	INDIA TUBE MILLS & METALS INDIA LTD	INDIA
1.16.15	INDUS PROJECTS LIMITED	INDIA
1.16.16	INDUSTRIAL MANUFACTURERS INDIA	INDIA

VENDOR LIST		
Sr.No	VENDOR NAME	COUNTRY
1.16.17	ISGEC HEAVY ENGINEERING LTD	INDIA
1.16.18	ISGEC HITACHI ZOSEN LTD	INDIA
1.16.19	LARSEN & TOUBRO LTD	INDIA
1.16.20	LLOYDS STEELS INDUSTRIES LTD.	INDIA
1.16.21	PHILS HEAVY ENGINEERING PVT LIMITED	INDIA
1.16.22	PRAJ INDUSTRIES LIMITED	INDIA
1.16.23	PRECISION EQUIPMENTS (CHENNAI) PVT LTD	INDIA
1.16.24	R. D. ENGINEERS (INDIA) PVT. LTD	INDIA
1.16.25	RAJ ENGINEERING COMPANY	INDIA
1.16.26	SHARP TANKS & STRUCTURALS (P) LTD	INDIA
1.16.27	TECHNO PROCESS EQUIPMENTS (INDIA) PV LTD	INDIA
1.16.28	THE KCP LIMITED	INDIA
1.16.29	UNIVERSAL HEAT EXCHANGERS LTD	INDIA
1.16.30	VIJAY TANKS & VESSELS PVT LTD	INDIA
1.16.31	WALCHANDNAGAR INDUSTRIES LTD.	INDIA
1.17	COLUMN/TOWER STAINLESS STEEL	
A	INDIAN BIDDERS	
1.17.1	ALFA LAVAL INDIA LTD	INDIA
1.17.2	ANUP ENGINEERING LIMITED (THE)	INDIA
1.17.3	BHEL	INDIA
1.17.4	BTL EPC LIMITED	INDIA
1.17.5	ESSAR HEAVY ENGG SERVICES (UNIT OF EPIL)	INDIA
1.17.6	EXPO GAS CONTAINERS LTD.	INDIA
1.17.7	FAB-TECH WORKS & CONSTN. PVT LTD.	INDIA
1.17.8	GEECY ENGINEERING PVT LTD	INDIA
1.17.9	GODREJ & BOYCE MFG. CO. LTD.	INDIA
1.17.10	GR ENGINEERNG PRIVATE LTD (TARAPORE)	INDIA
1.17.11	INDIA TUBE MILLS AND METALS INDIA LTD.	INDIA
1.17.12	INDUS PROJECTS LIMITED	INDIA
1.17.13	INDUSTRIAL MANUFACTURER	INDIA
1.17.14	ISGEC HEAVY ENGINEERING LTD	INDIA
1.17.15	ISGEC HITACHI ZOSEN LTD	INDIA
1.17.16	LARSEN & TOUBRO LTD	INDIA

VENDOR LIST		
Sr.No	VENDOR NAME	COUNTRY
1.17.17	LLOYDS STEELS INDUSTRIES LTD.	INDIA
1.17.18	PHILS HEAVY ENGINEERING PVT LIMITED	INDIA
1.17.19	PRAJ INDUSTRIES LIMITED	INDIA
1.17.20	R. D. ENGINEERS (INDIA) PVT. LTD	INDIA
1.17.21	SHARP TANKS & STRUCTURALS (P) LTD	INDIA
1.17.22	TECHNO PROCESS EQUIPMENTS (INDIA) PV LTD	INDIA
1.17.23	THE KCP LIMITED	INDIA
1.17.24	UNIVERSAL HEAT EXCHANGERS	INDIA
1.17.25	VIJAY TANKS & VESSELS PVT LTD	INDIA
1.18	COLUMN/TOWER - LOW ALLOY STEEL	
A	INDIAN BIDDERS	
1.18.1	ANUP ENGINEERING LIMITED (THE)	INDIA
1.18.2	BHEL	INDIA
1.18.3	ESSAR HEAVY ENGG SERVICES (UNIT OF EPIL)	INDIA
1.18.4	GODREJ & BOYCE MFG. CO. LTD.	INDIA
1.18.5	GR ENGINEERNG PRIVATE LTD	INDIA
1.18.6	ISGEC HEAVY ENGINEERING LTD	INDIA
1.18.7	ISGEC HITACHI ZOSEN LTD	INDIA
1.18.8	LARSEN & TOUBRO LTD	INDIA
1.18.9	LLOYDS STEELS INDUSTRIES LTD.	INDIA
1.18.10	PHILS HEAVY ENGINEERING PVT LIMITED	INDIA
1.18.11	TECHNO PROCESS EQUIPMENTS (INDIA) PV LTD	INDIA
1.18.12	VIJAY TANKS & VESSELS PVT LTD	INDIA
1.19	COLUMN/TOWER - LTCS	
A	INDIAN BIDDERS	
1.19.1	BHEL	INDIA
1.19.2	ESSAR HEAVY ENGG SERVICES (UNIT OF EPIL)	INDIA
1.19.3	EXPO GAS CONTAINERS LTD.	INDIA
1.19.4	GODREJ & BOYCE MFG. CO. LTD.	INDIA
1.19.5	GR ENGINEERNG PRIVATE LTD	INDIA
1.19.6	INDIA TUBE MILLS & METALS LTD	INDIA
1.19.7	INDUS PROJECTS LIMITED	INDIA
1.19.8	INDUSTRIAL MANUFACTURERS INDIA	INDIA

VENDOR LIST		
Sr.No	VENDOR NAME	COUNTRY
1.19.9	ISGEC HEAVY ENGINEERING LTD	INDIA
1.19.10	ISGEC HITACHI ZOSEN LTD	INDIA
1.19.11	LARSEN & TOUBRO LTD	INDIA
1.19.12	LLOYDS STEELS INDUSTRIES LTD.	INDIA
1.19.13	PHILS HEAVY ENGINEERING PVT LIMITED	INDIA
1.19.14	R. D. ENGINEERS (INDIA) PVT. LTD	INDIA
1.19.15	TECHNO PROCESS EQUIPMENTS (INDIA) PV LTD	INDIA
1.19.16	UNIVERSAL HEAT EXCHANGERS LTD	INDIA
1.19.17	VIJAY TANKS & VESSELS PVT LTD	INDIA
1.20	COLUMN/TOWER-CS/LAS+SS CLADDED	
A	INDIAN BIDDERS	
1.20.1	ALFA LAVAL INDIA LTD	INDIA
1.20.2	ANUP ENGINEERING LIMITED (THE)	INDIA
1.20.3	BHEL	INDIA
1.20.4	ESSAR HEAVY ENGG SERVICES (UNIT OF EPIL)	INDIA
1.20.5	EXPO GAS CONTAINERS LTD.	INDIA
1.20.6	GEECY ENGINEERING PVT LTD	INDIA
1.20.7	GODREJ & BOYCE MFG. CO. LTD.	INDIA
1.20.8	GR ENGINEERNG PRIVATE LTD	INDIA
1.20.9	INDUS PROJECTS LIMITED	INDIA
1.20.10	INDUSTRIAL MANUFACTURERS	INDIA
1.20.11	ISGEC HEAVY ENGINEERING LTD	INDIA
1.20.12	ISGEC HITACHI ZOSEN LTD	INDIA
1.20.13	LARSEN & TOUBRO LTD	INDIA
1.20.14	LLOYDS STEELS INDUSTRIES LTD.	INDIA
1.20.15	PHILS HEAVY ENGINEERING PVT LIMITED	INDIA
1.20.16	R. D. ENGINEERS (INDIA) PVT. LTD	INDIA
1.20.17	TECHNO PROCESS EQUIPMENTS (INDIA) PV LTD	INDIA
1.20.18	VIJAY TANKS & VESSELS PVT LTD	INDIA
1.21	COLUMN - MONEL CLAD	
A	INDIAN BIDDERS	
1.21.1	BHEL	INDIA
1.21.2	ESSAR HEAVY ENGG SERVICES (UNIT OF EPIL)	INDIA

VENDOR LIST		
Sr.No	VENDOR NAME	COUNTRY
1.21.3	EXPO GAS CONTAINERS LTD.	INDIA
1.21.4	GEECY ENGINEERING PVT LTD	INDIA
1.21.5	GODREJ & BOYCE MFG. CO. LTD.	INDIA
1.21.6	ISGEC HEAVY ENGINEERING LTD	INDIA
1.21.7	ISGEC HITACHI ZOSEN LTD	INDIA
1.21.8	LARSEN & TOUBRO LTD	INDIA
1.21.9	PHILS HEAVY ENGINEERING PVT LIMITED	INDIA
1.21.10	R. D. ENGINEERS (INDIA) PVT. LTD	INDIA
1.21.11	TECHNO PROCESS EQUIPMENTS (INDIA) PV LTD	INDIA
1.22	CCR PLATFORMING REACTOR	
A	INDIAN BIDDERS	
1.22.1	GODREJ & BOYCE MFG. CO. LTD.	INDIA
1.22.2	ISGEC HEAVY ENGINEERING LTD	INDIA
1.22.3	LARSEN & TOUBRO LTD	INDIA
1.23	REACTOR/SEPARATOR-SS CLAD 1.25 Cr 0.5 Mo	
A	INDIAN BIDDERS	
1.23.1	ESSAR HEAVY ENGG SERVICES (UNIT OF EPIL)	INDIA
1.23.2	GODREJ & BOYCE MFG. CO. LTD.	INDIA
1.23.3	ISGEC HEAVY ENGINEERING LTD	INDIA
1.23.4	ISGEC HITACHI ZOSEN LTD	INDIA
1.23.5	LARSEN & TOUBRO LTD	INDIA
1.23.6	TECHNO PROCESS EQUIPMENTS (INDIA) PV LTD	INDIA
1.24	REACTOR/SEPARATOR-SS CLAD-2.25 Cr-1 Mo	
A	INDIAN BIDDERS	
1.24.1	GODREJ & BOYCE MFG. CO. LTD.	INDIA
1.24.2	ISGEC HEAVY ENGINEERING LTD	INDIA
1.24.3	ISGEC HITACHI ZOSEN LTD	INDIA
1.24.4	LARSEN & TOUBRO LTD	INDIA
1.25	REACTOR/SEPARATOR- CLAD 2.25Cr 1Mo 0.25V	
A	INDIAN BIDDERS	
1.25.1	ISGEC HITACHI ZOSEN LTD	INDIA
1.25.2	LARSEN & TOUBRO LTD	INDIA
1.26	COLUMN/TOWER-CS (51-100MM THK)	

VENDOR LIST		
Sr.No	VENDOR NAME	COUNTRY
A	INDIAN BIDDERS	
1.26.1	BHEL	INDIA
1.26.2	ESSAR HEAVY ENGG SERVICES (UNIT OF EPIL)	INDIA
1.26.3	GODREJ & BOYCE MFG. CO. LTD.	INDIA
1.26.4	GR ENGINEERNG PRIVATE LTD (TARAPORE)	INDIA
1.26.5	INDUS PROJECTS LIMITED	INDIA
1.26.6	ISGEC HEAVY ENGINEERING LTD	INDIA
1.26.7	ISGEC HITACHI ZOSEN LTD	INDIA
1.26.8	LARSEN & TOUBRO LTD	INDIA
1.26.9	LLOYDS STEELS INDUSTRIES LTD.	INDIA
1.26.10	PHILS HEAVY ENGINEERING PVT LIMITED	INDIA
1.26.11	TECHNO PROCESS EQUIPMENTS (INDIA) PV LTD	INDIA
1.26.12	VIJAY TANKS & VESSELS PVT LTD	INDIA
1.27	HEAT EXCHANGER CARBON STEEL	
A	INDIAN BIDDERS	
1.27.1	ADOR WELDING LTD.	INDIA
1.27.2	AERO ENGINEERS	INDIA
1.27.3	ALFA LAVAL INDIA LTD	INDIA
1.27.4	ANUP ENGINEERING LIMITED (THE)	INDIA
1.27.5	BHEL	INDIA
1.27.6	BTL EPC LIMITED	INDIA
1.27.7	BUILDWORTH LIMITED	INDIA
1.27.8	CICB-CHEMICON PVT.LTD.	INDIA
1.27.9	COPERION IDEAL PVT. LTD.	INDIA
1.27.10	ESSAR HEAVY ENGG SERVICES (UNIT OF EPIL)	INDIA
1.27.11	EXPO GAS CONTAINERS LTD.	INDIA
1.27.12	GANSONS LTD	INDIA
1.27.13	GEECY ENGINEERING PVT LTD	INDIA
1.27.14	GMM PFAUDLER LTD	INDIA
1.27.15	GODREJ & BOYCE MFG. CO. LTD.	INDIA
1.27.16	GR ENGINEERNG PRIVATE LTD (TARAPORE)	INDIA
1.27.17	INDCON PROJECTS & EQUIPMENTS LTD	INDIA
1.27.18	INDIA TUBE MILLS AND METAL INDUSTRIES LTD.	INDIA

VENDOR LIST		
Sr.No	VENDOR NAME	COUNTRY
1.27.19	INDUS PROJECTS LIMITED	INDIA
1.27.20	INDUSTRIAL MANUFACTURERS	INDIA
1.27.21	ISGEC HEAVY ENGINEERING LTD	INDIA
1.27.22	ISGEC HITACHI ZOSEN LTD	INDIA
1.27.23	LARSEN & TOUBRO LTD	INDIA
1.27.24	LLOYDS STEELS INDUSTRIES LTD.	INDIA
1.27.25	MEENAKSHI ASSOCIATES PVT LTD	INDIA
1.27.26	MULTIMAX ENGINEERING WORKS PVT LTD	INDIA
1.27.27	NEW FIELD INDUSTRIAL EQUIPMENT PVT LTD	INDIA
1.27.28	NEWTON ENGG & CHEMICALS LTD	INDIA
1.27.29	ORIENTAL ENTERPRISE PVT. LTD	INDIA
1.27.30	PATELS AIRTEMP (INDIA) LTD	INDIA
1.27.31	PHILS HEAVY ENGINEERING PVT LIMITED	INDIA
1.27.32	PRABHA STEEL INDUSTRIES	INDIA
1.27.33	PRECISION EQUIPMENTS (CHENNAI) PVT LTD	INDIA
1.27.34	R. D. ENGINEERS (INDIA) PVT. LTD	INDIA
1.27.35	RADIANT HEAT EXCHANGER PVT.LTD.	INDIA
1.27.36	RAJ ENGINEERING COMPANY	INDIA
1.27.37	RELIANCE FABRICATIONS PVT LTD	INDIA
1.27.38	TECHNO PROCESS EQUIPMENTS (INDIA) PV LTD	INDIA
1.27.39	TEMA INDIA LTD.	INDIA
1.27.40	TEMASME VESELEX INDIA PVT. LTD.	INDIA
1.27.41	TITANIUM EQUIPMENT AND ANODE MFG.CO.LTD	INDIA
1.27.42	WALCHANDNAGAR INDUSTRIES LTD.	INDIA
1.28	HEAT EXCHANGER-ROD AND PLATE TYPE BAFFLE	
A	INDIAN BIDDERS	
1.29	HEAT EXCHANGER STAINLESS STEEL.	
A	INDIAN BIDDERS	
1.29.1	ADOR WELDING LTD.	INDIA
1.29.2	AERO ENGINEERS	INDIA
1.29.3	ALFA LAVAL INDIA LTD	INDIA
1.29.4	ANUP ENGINEERING LIMITED (THE)	INDIA
1.29.5	BHEL	INDIA

VENDOR LIST

Sr.No	VENDOR NAME	COUNTRY
1.29.6	BTL EPC LIMITED	INDIA
1.29.7	CICB-CHEMICON PVT.LTD.	INDIA
1.29.8	COPERION IDEAL PVT. LTD.	INDIA
1.29.9	ESSAR HEAVY ENGG SERVICES (UNIT OF EPIL)	INDIA
1.29.10	GANSONS LTD	INDIA
1.29.11	GEECY ENGINEERING PVT LTD	INDIA
1.29.12	GMM PFAUDLER LTD	INDIA
1.29.13	GODREJ & BOYCE MFG. CO. LTD.	INDIA
1.29.14	GR ENGINEERNG PRIVATE LTD (TARAPORE)	INDIA
1.29.15	INDCON PROJECTS & EQUIPMENTS LTD	INDIA
1.29.16	INDIA TUBE MILLS & METALS LTD	INDIA
1.29.17	INDUS PROJECTS LIMITED	INDIA
1.29.18	INDUSTRIAL MANUFACTURERS	INDIA
1.29.19	ISGEC HEAVY ENGINEERING LTD	INDIA
1.29.20	ISGEC HITACHI ZOSEN LTD	INDIA
1.29.21	LARSEN & TOUBRO LTD	INDIA
1.29.22	LLOYDS STEELS INDUSTRIES LTD.	INDIA
1.29.23	NEW FIELD INDUSTRIAL EQUIPMENT PVT LTD	INDIA
1.29.24	ORIENTAL ENTERPRISE PVT. LTD	INDIA
1.29.25	PATELS AIRTEMP (INDIA) LTD	INDIA
1.29.26	PHILS HEAVY ENGINEERING PVT LIMITED	INDIA
1.29.27	PRABHA STEEL INDUSTRIES	INDIA
1.29.28	PRECISION EQUIPMENTS (CHENNAI) PVT LTD	INDIA
1.29.29	RADIANT HEAT EXCHANGER PVT.LTD.	INDIA
1.29.30	RAJ ENGINEERING COMPANY	INDIA
1.29.31	RELIANCE FABRICATIONS PVT LTD	INDIA
1.29.32	TECHNO PROCESS EQUIPMENTS (INDIA) PV LTD	INDIA
1.29.33	TEMA INDIA LTD	INDIA
1.29.34	TITANIUM EQUIPMENT AND ANODE MFG.CO.LTD	INDIA
1.29.35	UNIVERSAL HEAT EXCHANGERS LTD.	INDIA
1.29.36	WALCHANDNAGAR INDUSTRIES LTD.	INDIA
1.30	HEAT EXCHANGER LOW ALLOY STEEL	
A	INDIAN BIDDERS	

VENDOR LIST		
Sr.No	VENDOR NAME	COUNTRY
1.30.1	ANUP ENGINEERING LIMITED (THE)	INDIA
1.30.2	BHEL	INDIA
1.30.3	ESSAR HEAVY ENGG SERVICES (UNIT OF EPIL)	INDIA
1.30.4	GEECY ENGINEERING PVT LTD	INDIA
1.30.5	GEMINI ENGI-FAB LIMITED	INDIA
1.30.6	GNASONS	INDIA
1.30.7	GODREJ & BOYCE MFG. CO. LTD.	INDIA
1.30.8	GR ENGINEERNG PRIVATE LTD (TARAPORE)	INDIA
1.30.9	INDUSTRIAL MANUFACTURERS	INDIA
1.30.10	ISGEC HEAVY ENGINEERING LTD	INDIA
1.30.11	ISGEC HITACHI ZOSEN LTD	INDIA
1.30.12	LARSEN & TOUBRO LTD	INDIA
1.30.13	LLYODS STEEL INDUSTRIES LTD	INDIA
1.30.14	PATELS AIRTEMP (INDIA) LTD	INDIA
1.30.15	PHILS HEAVY ENGINEERING PVT LIMITED	INDIA
1.30.16	PRECISION EQUIPMENTS (CHENNAI) PVT LTD	INDIA
1.30.17	TECHNO PROCESS EQUIPMENTS (INDIA) PV LTD	INDIA
1.30.18	TEMA INDIA LTD	INDIA
1.30.19	TITANIUM EQUIPMENT AND ANODE MFG.CO.LTD	INDIA
1.30.20	UNIVERSAL HEAT EXCHANGERS	INDIA
1.30.21	WALCHANDNAGAR INDUSTRIES LTD.	INDIA
1.31	HEAT EXCHANGER LTCS.	
A	INDIAN BIDDERS	
1.31.1	AERO ENGINEERS	INDIA
1.31.2	ANUP ENGINEERING LIMITED (THE)	INDIA
1.31.3	BHEL	INDIA
1.31.4	ESSAR HEAVY ENGG SERVICES (UNIT OF EPIL)	INDIA
1.31.5	GMM PFAUDLER LTD	INDIA
1.31.6	GODREJ & BOYCE MFG. CO. LTD.	INDIA
1.31.7	GR ENGINEERNG PRIVATE LTD (TARAPORE)	INDIA
1.31.8	INDIA TUBE MILLS AND METAL INDIA LTD.	INDIA
1.31.9	ISGEC HEAVY ENGINEERING LTD	INDIA
1.31.10	ISGEC HITACHI ZOSEN LTD	INDIA

VENDOR LIST		
Sr.No	VENDOR NAME	COUNTRY
1.31.11	LARSEN & TOUBRO LTD	INDIA
1.31.12	MEENAKSHI ASSOCIATES PVT. LTD.	INDIA
1.31.13	NEW FIELD INDUSTRIAL EQUIPMENT PVT LTD	INDIA
1.31.14	PATELS AIRTEMP (INDIA) LTD	INDIA
1.31.15	PHILS HEAVY ENGINEERING PVT LIMITED	INDIA
1.31.16	PRECISION EQUIPMENTS (CHENNAI) PVT LTD	INDIA
1.31.17	RAJ ENGINEERING COMPANY	INDIA
1.31.18	TECHNO PROCESS EQUIPMENTS (INDIA) PV LTD	INDIA
1.31.19	TEMA INDIA LTD	INDIA
1.31.20	TEMASME VESELEX INDIA PVT. LTD.	INDIA
1.31.21	UNIVERSAL HEAT EXCHANGERS	INDIA
1.32	HEAT EXCHANGER 3.5 % NI STEEL	
A	INDIAN BIDDERS	
1.32.1	ANUP ENGINEERING LIMITED (THE)	INDIA
1.32.2	BHEL	INDIA
1.32.3	GODREJ & BOYCE MFG. CO. LTD.	INDIA
1.32.4	INDUS PROJECTS LIMITED	INDIA
1.32.5	LARSEN & TOUBRO LTD	INDIA
1.32.6	TITANIUM EQUIPMENT AND ANODE MFG.CO.LTD.	INDIA
1.32.7	UNIVERSAL HEAT EXCHANGERS LTD.	INDIA
1.33	HEAT EXCHANGER-CS/LAS+SS CLAD	
A	INDIAN BIDDERS	
1.33.1	ALFA LAVAL INDIA LTD	INDIA
1.33.2	ANUP ENGINEERING LIMITED (THE)	INDIA
1.33.3	BHEL	INDIA
1.33.4	ESSAR HEAVY ENGG SERVICES (UNIT OF EPIL)	INDIA
1.33.5	GEECY ENGINEERING PVT LTD	INDIA
1.33.6	GODREJ & BOYCE MFG. CO. LTD.	INDIA
1.33.7	GR ENGINEERNG PRIVATE LTD (TARAPORE)	INDIA
1.33.8	INDIA TUBE MILLS AND METAL INDIA LTD.	INDIA
1.33.9	INDUSTRIAL MANUFACTURERS	INDIA
1.33.10	ISGEC HEAVY ENGINEERING LTD	INDIA
1.33.11	ISGEC HITACHI ZOSEN LTD	INDIA

VENDOR LIST		
Sr.No	VENDOR NAME	COUNTRY
1.33.12	LARSEN & TOUBRO LTD	INDIA
1.33.13	PATELS AIRTEMP (INDIA) LTD	INDIA
1.33.14	PHILS HEAVY ENGINEERING PVT LIMITED	INDIA
1.33.15	PRECISION EQUIPMENTS (CHENNAI) PVT LTD	INDIA
1.33.16	TECHNO PROCESS EQUIPMENTS (INDIA) PV LTD	INDIA
1.33.17	TEMA INDIA LIMITED	INDIA
1.33.18	TITANIUM EQUIPMENT AND ANODE MFG.CO.LTD	INDIA
1.33.19	WALCHANDNAGAR INDUSTRIES LTD.	INDIA
1.33.20	UNIVERSAL HEAT EXCHANGERS	INDIA
1.34	HEAT EXCHANGER (PLATES-WELDED)	
A	INDIAN BIDDERS	
1.34.1	ALFA LAVAL INDIA LTD	INDIA
1.34.2	DOVER INDIA PVT LTD	INDIA
1.34.3	IDMC LTD	INDIA
1.34.4	FUNKE HEAT EXCHANGERS INDIA LTD.	INDIA
1.34.5	KELVION INDIA PRIVATE LIMITED	INDIA
1.34.6	SONDEX HEAT EXCHANGERS INDIA PVT. LTD.	INDIA
1.34.7	TRANTER INDIA PRIVATE LIMITED	INDIA
1.34.8	GEA ECOFLEX INDIA PVT LTD (GEA GROUP)	INDIA
1.34.9	GEA VIEX INC (GEA GROUP)	INDIA
1.35	HEAT EXCHANGERS (PLATE -GASKETTED)	
A	INDIAN BIDDERS	
1.35.1	ALFA LAVAL INDIA LTD	INDIA
1.35.2	FUNKE HEAT EXCHANGERS INDIA LTD.	INDIA
1.35.3	KELVION INDIA PRIVATE LIMITED	INDIA
1.35.4	IDMC LIMITED	INDIA
1.35.5	LARSEN & TOUBRO LTD	INDIA
1.35.6	GEA ECOFLEX INDIA PVT LTD (GEA GROUP)	INDIA
1.35.7	SONDEX HEAT EXCHANGERS INDIA PVT. LTD.	INDIA
1.35.8	TRANTER INDIA PRIVATE LIMITED	INDIA
1.36	HEAT EXCHANGER NF- (BRASS, CU-Ni)	
A	INDIAN BIDDERS	
1.36.1	AERO ENGINEERS	INDIA

VENDOR LIST		
Sr.No	VENDOR NAME	COUNTRY
1.36.2	ALFA LAVAL INDIA LTD	INDIA
1.36.3	BHEL	INDIA
1.36.4	CICB-CHEMICON PVT.LTD.	INDIA
1.36.5	ESSAR HEAVY ENGG SERVICES (UNIT OF EPIL)	INDIA
1.36.6	GEMINI ENGI-FAB LIMITED	INDIA
1.36.7	GODREJ & BOYCE MFG. CO. LTD.	INDIA
1.36.8	GR ENGINEERNG PRIVATE LTD (TARAPORE)	INDIA
1.36.9	INDIA TUBE MILLS & METALS IND. LTD.	INDIA
1.36.10	INDUSTRIAL MANUFACTURERS	INDIA
1.36.11	ISGEC HEAVY ENGINEERING LTD	INDIA
1.36.12	LARSEN & TOUBRO LTD	INDIA
1.36.13	PATELS AIRTEMP (INDIA) LTD	INDIA
1.36.14	PRECISION EQUIPMENTS (CHENNAI) PVT LTD	INDIA
1.36.15	REYNOLDS CHEM EQUIP PVT LTD	INDIA
1.36.16	TECHNO PROCESS EQUIPMENTS (INDIA) PV LTD	INDIA
1.36.17	TEMA INDIA LIMITED	INDIA
1.36.18	UNIVERSAL HEAT EXCHANGERS	INDIA
1.36.19	WALCHANDNAGAR INDUSTRIES LTD.	INDIA
1.37	AIR FIN COOLER (CS & SS)	
A	INDIAN BIDDERS	
1.37.1	AKSHAR PRECISION TUBES PVT LIMITED	INDIA
1.37.2	APPLIED ENGINEERING SINGAPORE/ APPLIED ENGINEERING PTE LTD	INDIA
1.37.3	BGR ENERGY SYSTEMS LIMITED	INDIA
1.37.4	BHEL	INDIA
1.37.5	ENGINEMATES HEAT TRANSFER PVT. LTD.	INDIA
1.37.6	GEA Btt INDIA /INTERNATIONAL	INDIA
1.37.7	JORD INTERNATIONAL PVT Ltd - AUSTRALIA	INDIA
1.37.8	KELVION INDIA PRIVATE LIMITED	INDIA
1.37.9	KNM INTERNATIONAL	INDIA
1.37.10	LARSEN & TOUBRO LTD	INDIA
1.37.11	PAHARPUR COOLING TOWERS LTD.	INDIA
1.37.12	PATELS AIRTEMP (INDIA) LTD	INDIA
1.37.13	GEI INDUSTRIAL SYSTEM LTD	INDIA

VENDOR LIST		
Sr.No	VENDOR NAME	COUNTRY
1.38	AIR FIN COOLERS (DUPLEX SS)	
A	INDIAN BIDDERS	
1.38.1	KELVION INDIA PRIVATE LIMITED	INDIA
1.38.2	BGR ENERGY SYSTEMS LIMITED	INDIA
1.38.3	BHEL	INDIA
1.38.4	GEI INDUSTRIAL SYSTEM LTD	INDIA
1.39	SAMPLE COOLER	
A	INDIAN BIDDERS	
1.39.1	AERO ENGINEERS	INDIA
1.39.2	CHEMTRON SCIENCE LABORATORIES PVT. LTD. INDIA	INDIA
1.39.3	ENPRO INDUSTRIES PVT LTD	INDIA
1.39.4	FLOWLINE INSTRUMENTATION PVT. LTD. INDIA	INDIA
1.39.5	FORBES MARSHALL PVT. LTD. INDIA	INDIA
1.39.6	GRAND PRIX ENGINEERING PVT LTD.	INDIA
1.39.7	GRASIM INDUSTRIES	INDIA
1.39.8	MEENAKSHI ASSOCIATES PVT LTD	INDIA
1.39.9	PRECISION EQUIPMENTS (CHENNAI) PVT LTD	INDIA
1.39.10	RELIANCE FABRICATIONS PVT LTD	INDIA
1.39.11	TUBE WELD ENGINEERING WORKS LTD.	INDIA
1.40	CRYOGENIC VAPORIZER-DIRECT STEAM HEATED	
A	INDIAN BIDDERS	
1.41	HEAT EXCHANGER (AL. BRAZED FIN TYPE)	
A	INDIAN BIDDERS	
1.41.1	SUMITOMO PRECISION PRODUCTS CO LTD	INDIA
1.42	HEAT EXCH. MONEL / MONEL CLAD	
A	INDIAN BIDDERS	
1.42.1	ALFA LAVAL INDIA LTD	INDIA
1.42.2	ESSAR HEAVY ENGG SERVICES (UNIT OF EPIL)	INDIA
1.42.3	GR ENGINEERNG PRIVATE LTD (TARAPORE)	INDIA
1.42.4	PRECISION EQUIPMENTS (CHENNAI) PVT LTD	INDIA
1.42.5	TITANIUM EQUIPMENT AND ANODE MFG.CO.LTD	INDIA
1.42.6	TEMA INDIA LTD	INDIA
1.43	HEAT EXCH. NICKEL / NICKEL CLAD	

VENDOR LIST		
Sr.No	VENDOR NAME	COUNTRY
A	INDIAN BIDDERS	
1.43.1	ALFA LAVAL INDIA LTD	INDIA
1.43.2	PRECISION EQUIPMENTS (CHENNAI) PVT LTD	INDIA
1.43.3	TITANIUM EQUIPMENT AND ANODE MFG.CO.LTD	INDIA
1.44	HEAT EXCH. HASTALLOY / HASTALLOY CLAD	
A	INDIAN BIDDERS	
1.44.1	ALFA LAVAL INDIA LTD	INDIA
1.44.2	ESSAR HEAVY ENGG SERVICES (UNIT OF EPIL)	INDIA
1.44.3	TITANIUM EQUIPMENT AND ANODE MFG.CO.LTD	INDIA
1.44.4	TEMA INDIA LTD	INDIA
1.45	ELECTRIC HEATER	
A	INDIAN BIDDERS	
1.45.1	ESCORTS LIMITED	INDIA
1.45.2	ETIREX CHROMALOX	INDIA
1.45.3	SANDVIK ASIA PVT LTD-KANTHAL DIVISION	INDIA
1.46	HEAT EXCHANGER SS-DUPLEX	
A	INDIAN BIDDERS	
1.46.1	ALFA LAVAL INDIA LTD	INDIA
1.46.2	ANUP ENGINEERING LIMITED (THE)	INDIA
1.46.3	BHEL	INDIA
1.46.4	GODREJ & BOYCE MFG. CO. LTD.	INDIA
1.46.5	GR ENGINEERNG PRIVATE LTD (TARAPORE)	INDIA
1.46.6	INDUSTRIAL MANUFACTURERS INDIA	INDIA
1.46.7	ISGEC HEAVY ENGINEERING LTD	INDIA
1.46.8	LARSEN & TOUBRO LTD	INDIA
1.46.9	PATELS AIR TEMP	INDIA
1.46.10	PRECISION EQUIPMENTS (CHENNAI) PVT LTD	INDIA
1.46.11	REYNODS CHEM EQUIP PVT LTD	INDIA
1.46.12	TITANIUM EQUIPMENT AND ANODE MFG.CO.LTD	INDIA
1.46.13	TEMA INDIA LTD	INDIA
1.46.14	UNIVERSAL	INDIA
1.46.15	WALCHANNAGAR INDUSTRIES LTD	INDIA
1.47	HEAT EXCHANGER - ALLOY 625	

VENDOR LIST		
Sr.No	VENDOR NAME	COUNTRY
A	INDIAN BIDDERS	
1.47.1	FLASH FORGE PVT LTD.	INDIA
1.47.2	GODREJ & BOYCE	INDIA
1.47.3	ISGEC	INDIA
1.47.4	LARSEN & TOUBRO	INDIA
1.47.5	PRECISION EQUIPMENTS (CHENNAI) PVT LTD	INDIA
1.47.6	TEMA INDIA LIMITED	INDIA
1.47.7	TITANIUM EQUIPMENT AND ANODE MFG.CO.LTD	INDIA
1.48	LOUVERS FOR AIR FIN COOLERS	
A	INDIAN BIDDERS	
1.48.1	GEI INDUSTRIAL SYSTEM LTD	INDIA
1.49	EJECTOR (ENGINEERED)	
A	INDIAN BIDDERS	
1.49.1	BHEL	INDIA
1.49.2	CRYSTAL INDUSTRIAL SYNDICATE PVT LTD.	INDIA
1.49.3	GODREJ & BOYCE MFG. CO. LTD.	INDIA
1.49.4	MAZDA LIMITED	INDIA
1.49.5	MICRO PRECISION PRODUCTS PVT LTD	INDIA
1.49.6	NEW FIELD INDUSTRIAL EQUIPMENT PVT LTD	INDIA
1.49.7	SSP PVT LTD	INDIA
1.50	EJECTOR (UNENGINEERED)	
A	INDIAN BIDDERS	
1.50.1	CHEM PROCESS SYSTEM PVT. LTD.	INDIA
1.50.2	MAZDA LIMITED	INDIA
1.50.3	NEW FIELD INDUSTRIAL EQUIPMENT PVT LTD	INDIA
1.51	SILENCER	
A	INDIAN BIDDERS	
1.51.1	ACOUSTICS INDIA PVT LTD	INDIA
1.51.2	BBM ACOUSTIC INDIA PVT LTD	INDIA
1.51.3	BURGESS MANNING(INDIA) PVT LTD	INDIA
1.51.4	FLO-DYNE CONTROLS(INDIA)PVT LTD	INDIA
1.51.5	GRAND PRIX ENGINEERING PVT LTD.	INDIA
1.51.6	INDIRA INDUSTRIES	INDIA

VENDOR LIST		
Sr.No	VENDOR NAME	COUNTRY
1.51.7	MICROPRECISION PRODUCTS	INDIA
1.51.8	PR ACOUSTICAL & ENGINEERING WORKS(P)LTD	INDIA
1.52	VACUUM EJECTOR CONDENSER SYS(ENGINEERED)	
A	INDIAN BIDDERS	
1.52.1	GODREJ & BOYCE MFG. CO. LTD	INDIA
1.52.2	BHEL	INDIA
1.53	VACUUM EJECTOR CONDSR SYS (UNENGINEERED)	
A	INDIAN BIDDERS	
1.53.1	BHARAT HEAVY ELECTRICALS LTD	INDIA
1.53.2	NEW FIELD INDUSTRIAL EQUIPMENT	INDIA
1.53.3	SSP LTD	INDIA
1.54	DEMISTER-VANE TYPE	
A	INDIAN BIDDERS	
1.54.1	FINEPAC STRUCTURES PVT. LTD.	INDIA
1.54.2	GRAND PRIX ENGINEERING PVT LTD	INDIA
1.54.3	MUNTERS INDIA HUMIDITY CONTROL PVT. LTD.	INDIA
1.54.4	KOCH CHEMICAL TECH. GROUP INDIA PVT LTD	INDIA
1.54.5	SULZER INDIA LIMITED	INDIA
1.55	EXPANSION JOINT-METALLIC	
A	INDIAN BIDDERS	
1.55.1	FLEXATHERM EXPANLLOW PVT LTD	INDIA
1.55.2	FLEXICAN BELLOWS AND HOSES PRIVATE LIMITED	INDIA
1.55.3	FLEXOCON ENGINEERS PRIVATE LIMITED	INDIA
1.55.4	LONESTAR INDUSTRIES	INDIA
1.55.5	METALLIC BELLOWS (INDIA) PRIVATE LIMITED	INDIA
1.55.6	WITZENMANN GMBH	INDIA
1.56	AIR PRE-HEATER (CAST)	
A	INDIAN BIDDERS	
1.56.1	KAMAL ENGINEERING CORPORATION	INDIA
1.57	AIR PRE-HEATER (GLASS TUBE)	
A	INDIAN BIDDERS	
1.57.1	KAMAL ENGINEERING CORPORATION	INDIA
1.58	BURNER-CONVENTIONAL	

VENDOR LIST		
Sr.No	VENDOR NAME	COUNTRY
A	INDIAN BIDDERS	
1.58.1	AIROIL FLAREGAS (INDIA) LTD.	INDIA
1.58.2	JOHN ZINK INTERNATIONAL LUXEMBOURG SARL	INDIA
1.59	BURNER-LOW NO_x (PROCESS FIRED HEATER)	
A	INDIAN BIDDERS	
1.59.1	JOHN ZINK INTERNATIONAL LUXEMBOURG SARL	INDIA
1.60	BURNER-SRU	
A	INDIAN BIDDERS	
1.60.1	JOHN ZINK INTERNATIONAL LUXEMBOURG SARL	INDIA
1.61	AIR HEATER (DIRECT FIRED)	
A	INDIAN BIDDERS	
1.61.1	JOHN ZINK INTERNATIONAL LUXEMBOURG SARL	INDIA
1.62	LNG VAPORIZER	
A	INDIAN BIDDERS	
1.63	TOWER PACKING: METALLIC (NON-PROPRIETARY)	
A	INDIAN BIDDERS	
1.63.1	HI-PACK MASS TRANSFER PRODUCTS	INDIA
1.63.2	MUNTERS INDIA HUMIDITY CONTROL PVT. LTD.	INDIA
1.63.3	KOCH CHEMICAL TECH. GROUP INDIA PVT LTD	INDIA
1.63.4	MASS TRANSFER PRODUCT INDUSTRIES	INDIA
1.63.5	KEVIN ENTERPRISES PVT LTD	INDIA
1.63.6	SWAN ENTERPRISES PVT LTD	INDIA
1.64	TOWER PCKG & ASSTD INTL: METALLIC (PROPRIETARY)	
A	INDIAN BIDDERS	
1.64.1	MUNTERS INDIA HUMIDITY CONTROL PVT. LTD.	INDIA
1.64.2	KOCH CHEMICAL TECH. GROUP INDIA PVT LTD	INDIA
1.64.3	SULZER INDIA LIMITED	INDIA
1.64.4	KEVIN ENTERPRISES PVT LTD	INDIA
1.65	TOWER PKG:NON METALLIC(PROPRIETARY)	
A	INDIAN BIDDERS	
1.65.1	KOCH CHEMICAL TECH. GROUP INDIA PVT LTD	INDIA
1.65.2	KOCH GLITSCH	INDIA
1.65.3	SULZER INDIA PVT LTD	INDIA

VENDOR LIST		
Sr.No	VENDOR NAME	COUNTRY
1.65.4	KEVIN ENTERPRISES (MUNTER)	INDIA
1.66	TOWER PACKING: CERAMIC	
A	INDIAN BIDDERS	
1.66.1	DEVSON INSULATORS PVT. LTD.	INDIA
1.66.2	TOPACK CERAMICS PVT LTD	INDIA
1.66.3	Khyati Ceramics	INDIA
1.66.4	Fullmoon Industrial Ceramics (P) Ltd	INDIA
1.66.5	Filtra Catalysts & Chemicals Limited	INDIA
1.66.6	Nilgiri Chemical Stoneware Co. Private Limited	INDIA
1.66.7	Oxide (India) Pvt. Ltd	INDIA
1.66.8	Excel Micron Poona PVT LTD	INDIA
1.67	COLUMN TRAYS-HIGH CAPACITY	
A	INDIAN BIDDERS	
1.67.1	MUNTERS INDIA HUMIDITY CONTROL PVT. LTD.	INDIA
1.67.2	KOCH CHEMICAL TECH. GROUP INDIA PVT LTD	INDIA
1.67.3	SULZER INDIA LIMITED	INDIA
1.67.4	UOP	INDIA
1.67.5	KEVIN ENTERPRISES PVT LTD	INDIA
1.68	NON-PROP. PACKGS WITH CONVENL INTERNALS	
A	INDIAN BIDDERS	
1.68.1	GODREJ & BOYCE MFG. CO. LTD.	INDIA
1.68.2	KAMAL ENGINEERING CORPORATION	INDIA
1.68.3	MUNTERS INDIA HUMIDITY CONTROL PVT. LTD.	INDIA
1.68.4	KOCH CHEMICAL TECH. GROUP INDIA PVT LTD	INDIA
1.68.5	LARSEN & TOUBRO LTD	INDIA
1.68.6	SULZER INDIA LIMITED	INDIA
1.68.7	KEVIN ENTERPRISES PVT LTD	INDIA
1.69	NON-PROP PKG,HIGH QUAL DISR& INL-UN ENGIN	
A	INDIAN BIDDERS	
1.69.1	GODREJ & BOYCE MFG. CO. LTD.	INDIA
1.69.2	KAMAL ENGINEERING CORPORATION	INDIA
1.69.3	MUNTERS INDIA HUMIDITY CONTROL PVT. LTD.	INDIA
1.69.4	KOCH CHEMICAL TECH. GROUP INDIA PVT LTD	INDIA

VENDOR LIST		
Sr.No	VENDOR NAME	COUNTRY
1.69.5	SULZER INDIA LIMITED	INDIA
1.69.6	KEVIN ENTERPRISES PVT LTD	INDIA
1.70	INLET FEED DEVICE (VANE TYPE)	
A	INDIAN BIDDERS	
1.70.1	GODREJ & BOYCE MFG. CO. LTD.	INDIA
1.70.2	KAMAL ENGINEERING CORPORATION	INDIA
1.70.3	MUNTERS INDIA HUMIDITY CONTROL PVT. LTD.	INDIA
1.71	SEPARATOR INTERNALS	
A	INDIAN BIDDERS	
1.71.1	GODREJ & BOYCE MFG. CO. LTD.	INDIA
1.71.2	KAMAL ENGINEERING CORPORATION	INDIA
1.71.3	MUNTERS INDIA HUMIDITY CONTROL PVT. LTD.	INDIA
1.71.4	KOCH CHEMICAL TECH. GROUP INDIA PVT LTD	INDIA
1.71.5	SULZER INDIA LIMITED	INDIA
1.72	REACTOR INTERNALS	
A	INDIAN BIDDERS	
1.72.1	ANDRITZ EUROSLOT INDIA PVT. LTD.	INDIA
1.72.2	AQSEPTENCE GROUP INDIA PVT. LTD.	INDIA
1.72.3	BILFINGER WATER TECHNOLOGIES (I) PVT LTD	INDIA
1.72.4	EUROSLOT KDSS INDIA PVT LTD	INDIA
1.72.5	EVERGREEN TECHNOLOGIES PVT LTD INDIA	INDIA
1.72.6	GODREJ AND BOYCE MFG. CO. LTD.	INDIA
1.72.7	HEAVY ENGINEERING SERVICES (A UNIT OF EPC CONSTRUCTIONS INDIA LTD)	INDIA
1.72.8	ISGEC HITACHI ZOSEN LIMITED	INDIA
1.72.9	KAMAL ENGG INDIA	INDIA
1.72.10	LARSEN & TOUBRO LTD	INDIA
1.72.11	TECHNO PROCESS EQUIPMENTS (INDIA) PV LTD	INDIA
1.73	SPRAY NOZZLE-PROCESS	
A	INDIAN BIDDERS	
1.73.1	DEMACH ENGINEERS (P) LTD.	INDIA
1.73.2	DE'S TECHNICO	INDIA
1.73.3	FIRE TECH EQUIPMENTS & SYSTEMS PVT LTD	INDIA
1.73.4	HD FIRE PROTECT PRIVATE LTD INDIA	INDIA

VENDOR LIST		
Sr.No	VENDOR NAME	COUNTRY
1.73.5	JOHN ZINK COMPANY LTD	INDIA
1.73.6	LECHLER (INDIA) PVT LIMITED	INDIA
1.73.7	SIDDHARTH ENTERPRISES	INDIA
1.73.8	SPRAYING SYSTEMS (INDIA) PVT. LTD.	INDIA
1.73.9	SPRAYTECH	INDIA
1.74	SPRAY NOZZLE-TORCH OIL	
A	INDIAN BIDDERS	
1.74.1	JOHN ZINK INTERNATIONAL LUXEMBOURG SARL	INDIA
1.74.2	SPRAYING SYSTEMS LTD.	INDIA
1.75	TOWER PACKING:CARBON	
A	INDIAN BIDDERS	
1.75.1	BLAST CARBOBLOCKS PVT. LTD.	INDIA
1.75.2	CARBON PRODUCTS INDIA	INDIA
1.75.3	SUGUNA INTERNATIONAL	INDIA
1.76	TOWER PACKINGS:PVC & PP(NON-PROPRIETARY)	
A	INDIAN BIDDERS	
1.76.1	HI-PACK MASS TRANSFER PRODUCTS	INDIA
1.76.2	MUNTERS INDIA HUMIDITY CONTROL PVT. LTD.	INDIA
1.76.3	MASS TRANSFER PRODUCT INDUSTRIES	INDIA
1.77	WASTE HEAT BOILERS	
A	INDIAN BIDDERS	
1.77.1	ALSTOM PROJECTS INDIA LTD	INDIA
1.77.2	BHEL	INDIA
1.77.3	CHEEMA BOILERS	INDIA
1.77.4	ISGEC	INDIA
1.77.5	L&T	INDIA
1.77.6	THERMAL SYSTEMS	INDIA
1.77.7	THERMAX BABCOCK & WILCOX LTD.	INDIA
1.77.8	THERMAX LIMITED	INDIA
1.77.9	WALCHANDNAGAR INDUSTRIES LTD.	INDIA
1.78	REFRACTORY FIRE BRICKS	
A	INDIAN BIDDERS	
1.78.1	ABS REFRACTORIES PVT. LTD	INDIA

VENDOR LIST		
Sr.No	VENDOR NAME	COUNTRY
1.78.2	ASHOKE REFRACTORIES PVT LTD	INDIA
1.78.3	ASSOCIATED CERAMICS LTD.	INDIA
1.78.4	CHAMPION CERAMICS PVT LTD	INDIA
1.78.5	CONTINENTAL REFRACTORIES PVT LTD	INDIA
1.78.6	DALMIA REFRACTORIES LTD.	INDIA
1.78.7	GITA REFRACTORIES PVT LIMITED	INDIA
1.78.8	MAHAKOSHAL REFRACTORIES PVT.LTD.	INDIA
1.78.9	MAITHAN CERAMIC LTD	INDIA
1.78.10	MANISHRI REFRACTORIES & CERAMICS PVT LTD	INDIA
1.78.11	MPR REFRACTORIES	INDIA
1.78.12	NATIONAL REFRACTORIES	INDIA
1.78.13	NILACHAL REFRACTORIES LTD	INDIA
1.78.14	OCL INDIA LTD	INDIA
1.78.15	PACIFIC REFRACTORIES LTD	INDIA
1.78.16	PREMIER REFRACTORIES OF INDIA PVT LTD	INDIA
1.78.17	RAASI REFRACTORIES LTD	INDIA
1.78.18	RAJ CERAMICS	INDIA
1.78.19	RAJHANS REFRACTORIES (P) LTD	INDIA
1.78.20	RHI CLASIL LTD	INDIA
1.78.21	SHRI VALLEY REFRACTORIES LIMITED	INDIA
1.78.22	TRL KROSAKI REFRACTORIES LIMITED	INDIA
1.78.23	SHREEKANT INDUS	INDIA
1.79	INSULATING REFRACTORY CASTABLE	
A	INDIAN BIDDERS	
1.79.1	CALDERYS INDIA REF.LTD	INDIA
1.79.2	CARBORUNDUM UNIVERSAL LTD	INDIA
1.79.3	CASTWELL INDUSTRIES PVT. LTD.	INDIA
1.79.4	JSL REFRACTORIES LIMITED	INDIA
1.79.5	MAHAKOSHAL REFRACTORIES PVT.LTD.	INDIA
1.79.6	MAITHAN CERAMIC LTD	INDIA
1.79.7	MPR REFRACTORIES	INDIA
1.79.8	OCL INDIA LTD	INDIA
1.79.9	PACIFIC REFRACTORIES LTD	INDIA

VENDOR LIST		
Sr.No	VENDOR NAME	COUNTRY
1.79.10	PREMIER REFRACTORIES OF INDIA PVT LTD	INDIA
1.79.11	PROGRESSIVE REFRACTORY & MONOLITHICS P.L	INDIA
1.79.12	SHARAD REFRACTORIES PVT LTD	INDIA
1.79.13	SHARADAA CERAMICS PVT. LTD.	INDIA
1.79.14	TRL KROSAKI REFRACTORIES LIMITED	INDIA
1.79.15	VESUVIUS INDIA LTD.	INDIA
1.80	SULPHUR TRAPS	
A	INDIAN BIDDERS	
1.81	STORAGE TANKS, BULLETS & MOUNDED BULLETS	
A	INDIAN BIDDERS	
1.81.1	ISGEC	INDIA
1.81.2	VIJAY TANKS & VESSELS PVT LTD	INDIA
1.81.3	FAB-TECH WORKS & CONSTRUCTIONS PVT. LTD.	INDIA
1.81.4	INDIAN OIL TANK	INDIA
1.81.5	SHARP TANKS AND STRUCTURALS PVT LTD	INDIA
1.82	DEAERATOR	
A	INDIAN BIDDERS	
1.82.1	ANUP ENGINEERING LIMITED (THE)	INDIA
1.82.2	ESSAR HEAVY ENGG SERVICES (UNIT OF EPIL)	INDIA
1.82.3	G.R. ENGINEERING PRIVATE LIMITED	INDIA
1.82.4	GODREJ & BOYCE MFG. CO. LTD.	INDIA
1.82.5	ISGEC	INDIA
1.82.6	PHILS HEAVY ENGINEERING PVT LIMITED	INDIA
1.83	FILTER - BASKET	
A	INDIAN BIDDERS	
1.83.1	BOMBAY CHEMICAL EQUIPMENTS	INDIA
1.83.2	FIL SEP EQUIPMENTS PVT LTD	INDIA
1.83.3	FILTRATION ENGINEER (I) PVT LTD	INDIA
1.83.4	FLASH POINT EQUIPMENTS PVT LTD	INDIA
1.83.5	GRAND PRIX ENGINEERING PVT LTD	INDIA
1.83.6	GUJARAT OTOFILT	INDIA
1.83.7	MAHLE FILTER SYSTEMS (INDIA) PRIVATE LIMITED	INDIA
1.83.8	MULTITEX FILTRATION ENGINEERS LTD	INDIA

VENDOR LIST		
Sr.No	VENDOR NAME	COUNTRY
1.83.9	PALL	INDIA
1.83.10	PETROMAR ENGINEERED SOLN. P LTD	INDIA
1.83.11	SUNGOV ENGINEERING PVT LTD	INDIA
1.83.12	SUPERFLO FILTERS PVT LTD INDIA	INDIA
1.83.13	BARTOM FIRTOP ENGINEERING CO LTD	INDIA
1.84	FILTER - CARTRIDGE/CANDLE	
A	INDIAN BIDDERS	
1.84.1	3M ELECTRO & COMMUNICATION INDIA	INDIA
1.84.2	AAF INDIA PVT LTD	INDIA
1.84.3	CECO FILTER INDIA PVT LTD	INDIA
1.84.4	CLARK RELIANCE (FOR GAS APPLICATION)	INDIA
1.84.5	DOLLINGER	INDIA
1.84.6	FIL SEP EQUIPMENT PVT LTD	INDIA
1.84.7	FILTRATION ENGINEERS (I) PVT LTD	INDIA
1.84.8	FLASH POINT EQUIPMENTS PVT. LTD.	INDIA
1.84.9	GAS PROCESSING EQUIPMENT PVT. LTD	INDIA
1.84.10	GEOFLUID PROCESSORS PVT LTD	INDIA
1.84.11	GRAND PRIX ENGINEERING PVT LTD.	INDIA
1.84.12	GUJARAT OTOFILT	INDIA
1.84.13	INDCON PROJECTS & EQUIPMENTS LTD	INDIA
1.84.14	JONELL	INDIA
1.84.15	MULTITEX FILTRATION ENGINEERS LTD	INDIA
1.84.16	NIRMAL INDUSTRIAL CONTROL PVT LTD	INDIA
1.84.17	PALL INDIA PVT LTD	INDIA
1.84.18	PARKER HANNFIN	INDIA
1.84.19	PEERLESS	INDIA
1.84.20	PETROMAR ENGINEERED SOLN. P LTD	INDIA
1.84.21	SPX INDIA PVT LTD	INDIA
1.84.22	ULTRAFILTER (INDIA) PVT LTD	INDIA
1.84.23	EPE PROCESS FILTERS & ACCUMULATORS	INDIA
1.84.24	HYDAC INDIA PVT. LTD.	INDIA
1.85	FILTER - PRESSURE	
A	INDIAN BIDDERS	

VENDOR LIST		
Sr.No	VENDOR NAME	COUNTRY
1.86	FURNACE	
A	INDIAN BIDDERS	
1.86.1	FURNACE FABRICA (INDIA) LIMITED	INDIA
1.87	FLARE/FLARE STACK COMPONENTS	
1.87.1	ADOR WELDING LTD.	INDIA
1.87.2	ADVANI-OERLIKON LTD (ADOR SAMIA LTD)	INDIA
1.87.3	AIR OIL FLAREGAS PVT LTD.	INDIA
1.87.4	JOHN ZINK INDIA	INDIA
1.88	MAIN COMBUSTN. CHAMBR PKG(SRU)-ENGINEERED	
A	INDIAN BIDDERS	
1.88.1	BHEL	INDIA
1.88.2	GODREJ & BOYCE MFG. CO. LTD.	INDIA
1.88.3	ISGEC HEAVY ENGINEERING LTD	INDIA
1.88.4	LARSEN & TOUBRO LTD	INDIA
1.88.5	THERMAL SYSTEMS (HYDERABAD) PVT LTD	INDIA
1.88.6	THERMAX LIMITED	INDIA
1.89	INCINERATOR PACKAGE FOR SRU	
1.89.1	JOHN ZINK INDIA	INDIA
1.89.2	PARAMOUNT POLLUTION CONTROL LTD.	INDIA
1.89.3	JOHN ZINK COMPANY LTD	INDIA
1.90	FIRED HEATERS	
A	INDIAN BIDDERS	
1.90.1	LARSEN & TOUBRO LTD.	INDIA
1.90.2	THERMAX LIMITED	INDIA
1.90.3	PETRON ENGINEERING & CONSTRUCTION LTD	INDIA
1.90.4	BRIDGE & ROOF CO (INDIA) LTD.	INDIA
1.90.5	MUKAND LTD.	INDIA
1.90.6	ENGINEERING CONSTRUCTION CORP. LTD.	INDIA
1.90.7	ESTEEM PROJECTS PVT. LTD.	INDIA
1.90.8	TECHNICAS REUNIDAS	INDIA
1.90.9	JNK HEATERS LTD	INDIA
1.90.10	HEURTEY PETROCHEM	INDIA
1.90.11	TECHNIP KT INDIA LTD	INDIA

VENDOR LIST		
Sr.No	VENDOR NAME	COUNTRY
1.91	COLUMN / DRUM (SITE FABRICATED)	
1.91.1	ISGEC India	INDIA
1.91.2	VIJAY TANKS & VESSELS PVT LTD	INDIA
1.92	HAIRPIN EXCHANGER	
A	INDIAN BIDDERS	
1.92.1	PATELS AIRTEMP (INDIA) LTD	INDIA
1.92.2	PRECISION EQUIPMENTS (CHENNAI) PVT LTD	INDIA
1.92.3	HRS PROCESS SYSTEMS LTD	INDIA
1.92.4	KINAM ENGINEERING INDUSTRIES	INDIA
1.92.5	INDUSTRIAL MANUFACTURERS	INDIA
1.92.6	TEMA INDIA LIMITED	INDIA
1.93	SILOS	
A	INDIAN BIDDERS	
1.94	LOW FIN HEAT EXCHANGER	
A	INDIAN BIDDERS	
1.94.1	THE ANUP ENGINEERING LIMITED	INDIA
1.94.2	TECHNO PROCESS EQUIPMENT (INDIA) LIMITED	INDIA
1.94.3	ISGEC (a unit of Saraswati Industrial syndicate Ltd.)	INDIA
1.94.4	LARSEN & TOUBRO LTD.	INDIA
1.94.5	GODREG & BOYCE MFG. CO	INDIA
2	ROTARY EQUIPMENT	
2.1	PUMP-CENT.HOR(GPP)	
A	INDIAN BIDDERS	
2.1.1	BEACON WEIR LTD. INDIA	INDIA
2.1.2	SPX FLOW (CLYDE UNION PUMP)	INDIA
2.1.3	FLOWSERVE INDIA CONTROLS PVT LTD	INDIA
2.1.4	FLOWSERVE (THOMPSONS KELLY&LEWIS PTY LTD)	INDIA
2.1.5	HAYWARD TYLER FLUID DYNAMICS LTD.	INDIA
2.1.6	ITT CORPORATION INDIA PVT LTD	INDIA
2.1.7	KIRLOSKAR BROTHERS LTD	INDIA
2.1.8	KIRLOSKAR EBARA PUMPS LTD	INDIA
2.1.9	KSB PUMPS LTD	INDIA
2.1.10	MATHER & PLATT PUMPS LTD.	INDIA

VENDOR LIST		
Sr.No	VENDOR NAME	COUNTRY
2.1.11	NUOVO PIGNONE INTERNATIONAL S.R.L. (GE OIL CO.)	INDIA
2.1.12	RUHRPUMPEN INDIA PVT LTD.	INDIA
2.1.13	SAM TURBO INDUSTRY PVT. LTD	INDIA
2.1.14	SU MOTORS PVT LTD	INDIA
2.1.15	SULZER PUMPS INDIA LIMITED	INDIA
2.1.16	WILO MATHER AND PLATT PUMPS PVT. LTD.	INDIA
2.1.17	FLOWMORE LTD	INDIA
2.1.18	GOULDS PUMPS INC	INDIA
2.1.19	SUNDYNE NIKKISO	INDIA
2.1.20	SHIN NIPPON MACHINERY CO LTD	INDIA
2.1.21	JYOTI LTD	INDIA
2.1.22	MICROFINISH PUMPS PVT. LTD.	INDIA
2.2	PUMP-CENT.HOR(SPP)	
A	INDIAN BIDDERS	
2.2.1	SPX FLOW (CLYDE UNION PUMP)	INDIA
2.2.2	FLOWSERVE INDIA CONTROLS PVT LTD	INDIA
2.2.3	FLOWSERVE (THOMPSONS KELLY&LEWIS PTY LTD)	INDIA
2.2.4	HAYWARD TYLER FLUID DYNAMICS LTD.	INDIA
2.2.5	ITT CORPORATION INDIA PVT LTD	INDIA
2.2.6	KIRLOSKAR EBARA PUMPS LTD	INDIA
2.2.7	KSB PUMPS LTD	INDIA
2.2.8	NUOVO PIGNONE INTERNATIONAL S.R.L. (GE OIL CO.)	INDIA
2.2.9	RUHRPUMPEN INDIA PVT LTD	INDIA
2.2.10	SULZER PUMPS INDIA LIMITED	INDIA
2.2.11	GOULDS PUMPS INC	INDIA
2.2.12	SHIN NIPPON MACHINERY CO LTD	INDIA
2.2.13	MICROFINISH PUMPS PVT. LTD.	INDIA
2.3	PUMP-CENT.HOR(GWS)	
A	INDIAN BIDDERS	
2.3.1	BEACON WEIR LIMITED	INDIA
2.3.2	SPX FLOW (CLYDE UNION PUMP)	INDIA
2.3.3	FLOWMORE LIMITED	INDIA
2.3.4	FLOWSERVE INDIA CONTROLS PVT LTD	INDIA

VENDOR LIST		
Sr.No	VENDOR NAME	COUNTRY
2.3.5	FLOWSERVE (THOMPSONS KELLY&LEWIS PTY LTD)	INDIA
2.3.6	ITT CORPORATION INDIA PVT LTD	INDIA
2.3.7	KIRLOSKAR BROTHERS LTD	INDIA
2.3.8	KSB PUMPS LTD	INDIA
2.3.9	RUHRPUMPEN INDIA PVT LTD.	INDIA
2.3.10	SAM TURBO INDUSTRYPVT. LTD (ENQ-ACE MKTG)	INDIA
2.3.11	SU MOTORS PVT LTD	INDIA
2.3.12	SULZER PUMPS INDIA LIMITED	INDIA
2.3.13	WILO MATHER AND PLATT PUMPS PVT. LTD.	INDIA
2.3.14	WPIL LTD	INDIA
2.3.15	FLOWMORE LTD	INDIA
2.3.16	GOULDS PUMPS INC	INDIA
2.3.17	RUHRPUMPEN INDIA PVT LTD.	INDIA
2.3.18	SHIN NIPPON MACHINERY CO LTD	INDIA
2.3.19	SUNDYNE NIKKISO	INDIA
2.3.20	MICROFINISH PUMPS PVT. LTD.	INDIA
2.4	PUMP-CENT.HOR(LCWS)	
A	INDIAN BIDDERS	
2.4.1	BEACON WEIR LIMITED	INDIA
2.4.2	SPX FLOW (CLYDE UNION PUMP)	INDIA
2.4.3	FLOWMORE LIMITED	INDIA
2.4.4	FLOWSERVE INDIA CONTROLS PVT LTD	INDIA
2.4.5	FLOWSERVE (THOMPSONS KELLY&LEWIS PTY LTD)	INDIA
2.4.6	ITT CORPORATION INDIA PVT LTD	INDIA
2.4.7	KIRLOSKAR BROTHERS LTD	INDIA
2.4.8	MATHER & PLATT PUMPS LTD.	INDIA
2.4.9	KSB PUMPS	INDIA
2.4.10	NUOVO PIGNONE INTERNATIONAL S.R.L. (GE OIL CO.)	INDIA
2.4.11	RUHRPUMPEN INDIA PVT LTD.	INDIA
2.4.12	SULZER PUMPS INDIA LIMITED	INDIA
2.4.13	WILO MATHER AND PLATT PUMPS PVT. LTD.	INDIA
2.4.14	WPIL Ltd	INDIA
2.4.15	FLOWMORE LTD	INDIA

VENDOR LIST		
Sr.No	VENDOR NAME	COUNTRY
2.4.16	ENSIVAL MORET BELGIUM SA	INDIA
2.4.17	GOULDS PUMPS INC	INDIA
2.4.18	SHIN NIPPON MACHINERY CO LTD	INDIA
2.4.19	HAYWARD TYLER FLUID DYNAMICS LTD.	INDIA
2.4.20	JYOTI LTD	INDIA
2.4.21	RUHRPUMPEN INDIA PVT LTD.	INDIA
2.4.22	MICROFINISH PUMPS PVT. LTD.	INDIA
2.5	PUMP-CENT.HOR.(MOLTEN SULPHUR)	
A	INDIAN BIDDERS	
2.5.1	GOULDS PUMPS INC (C/o ITT Corporation)	INDIA
2.5.2	FLOWSERVE CORPORATION	INDIA
2.6	PUMP-CENT.VERT(GPP)	
A	INDIAN BIDDERS	
2.6.1	SPX FLOW (CLYDE UNION PUMP)	INDIA
2.6.2	FLOWSERVE INDIA CONTROLS PVT LTD	INDIA
2.6.3	FLOWSERVE (THOMPSONS KELLY&LEWIS PTY LTD)	INDIA
2.6.4	ITT CORPORATION INDIA PVT LTD	INDIA
2.6.5	KIRLOSKAR BROTHERS LTD	INDIA
2.6.6	KIRLOSKAR EBARA PUMPS LTD	INDIA
2.6.7	KISHOR PUMPS PVT LTD.	INDIA
2.6.8	KSB PUMPS	INDIA
2.6.9	NUOVO PIGNONE INTERNATIONAL S.R.L. (GE OIL CO.)	INDIA
2.6.10	RUHRPUMPEN INDIA PVT LTD	INDIA
2.6.11	SAM TURBO INDUSTRYPVT. LTD (ENQ-ACE MKTG)	INDIA
2.6.12	SU MOTORS PVT LTD	INDIA
2.6.13	SULZER PUMPS INDIA LIMITED	INDIA
2.6.14	WILO MATHER AND PLATT PUMPS PVT. LTD.	INDIA
2.6.15	WPIL Ltd	INDIA
2.6.16	FLOWMORE LTD	INDIA
2.6.17	GOULDS PUMPS INC	INDIA
2.6.18	DENCIL PUMPS & SYSTEMS PVT. LTD.	INDIA
2.7	PUMP-CENT.VERT. BARREL TYPE(SPP)	
A	INDIAN BIDDERS	

VENDOR LIST		
Sr.No	VENDOR NAME	COUNTRY
2.7.1	SPX FLOW (CLYDE UNION PUMP)	INDIA
2.7.2	FLOWSERVE INDIA CONTROLS PVT LTD	INDIA
2.7.3	FLOWSERVE (THOMPSONS KELLY&LEWIS PTY LTD)	INDIA
2.7.4	ITT CORPORATION INDIA PVT LTD	INDIA
2.7.5	KIRLOSKAR EBARA PUMPS LTD	INDIA
2.7.6	KSB PUMPS LTD	INDIA
2.7.7	LAWRENCE PUMPS ASIA PTE LTD.	INDIA
2.7.8	NUOVO PIGNONE INTERNATIONAL S.R.L. (GE OIL CO.)	INDIA
2.7.9	RUHRPUMPEN INDIA PVT LTD	INDIA
2.7.10	SULZER PUMPS INDIA LIMITED	INDIA
2.7.11	GOULDS PUMPS INC	INDIA
2.7.12	SHIN NIPPON MACHINERY CO LTD	INDIA
2.8	PUMP-CENT.VERT.(GWS)	
A	INDIAN BIDDERS	
2.8.1	SPX FLOW (CLYDE UNION PUMP)	INDIA
2.8.2	FLOWMORE LIMITED	INDIA
2.8.3	FLOWSERVE INDIA CONTROLS PVT LTD	INDIA
2.8.4	FLOWSERVE (THOMPSONS KELLY&LEWIS PTY LTD)	INDIA
2.8.5	ITT CORPORATION INDIA PVT LTD	INDIA
2.8.6	KIRLOSKAR BROTHERS LTD	INDIA
2.8.7	KISHOR PUMPS PVT LTD.	INDIA
2.8.8	KSB PUMPS LTD	INDIA
2.8.9	NUOVO PIGNONE INTERNATIONAL S.R.L. (GE OIL CO.)	INDIA
2.8.10	SAM TURBO INDUSTRYPVT. LTD (ENQ-ACE MKTG)	INDIA
2.8.11	SU MOTORS PVT LTD	INDIA
2.8.12	SULZER PUMPS INDIA LIMITED	INDIA
2.8.13	WILO MATHER AND PLATT PUMPS PVT. LTD.	INDIA
2.8.14	WPIL LTD	INDIA
2.8.15	FLOWMORE LTD	INDIA
2.8.16	RUHRPUMPEN INDIA PVT LTD	INDIA
2.8.17	JYOTI LTD	INDIA
2.8.18	SHIN NIPPON MACHINERY CO LTD	INDIA
2.8.19	DENCIL PUMPS & SYSTEMS PVT. LTD.	INDIA

VENDOR LIST		
Sr.No	VENDOR NAME	COUNTRY
2.9	PUMP-CENT.VERT(LCWS)	
A	INDIAN BIDDERS	
2.9.1	SPX FLOW (CLYDE UNION PUMP)	INDIA
2.9.2	FLOWMORE LIMITED	INDIA
2.9.3	FLOWSERVE INDIA CONTROLS PVT LTD	INDIA
2.9.4	FLOWSERVE (THOMPSONS KELLY&LEWIS PTY LTD)	INDIA
2.9.5	ITT CORPORATION INDIA PVT LTD	INDIA
2.9.6	KIRLOSKAR BROTHERS LTD	INDIA
2.9.7	KISHOR PUMPS PVT. LTD.	INDIA
2.9.8	KSB PUMPS	INDIA
2.9.9	NUOVO PIGNONE INTERNATIONAL S.R.L. (GE OIL CO.)	INDIA
2.9.10	SAM TURBO INDUSTRY LTD.	INDIA
2.9.11	WILO MATHER AND PLATT PUMPS PVT. LTD.	INDIA
2.9.12	WPIL LTD	INDIA
2.9.13	FLOWMORE LTD	INDIA
2.9.14	SULZER PUMPS	INDIA
2.9.15	RUHRPUMPEN INDIA PVT LTD	INDIA
2.9.16	JYOTI LTD	INDIA
2.9.17	SHIN NIPPON MACHINERY CO LTD	INDIA
2.9.18	MICROFINISH PUMPS PVT. LTD.	INDIA
2.10	PUMP-CENT.VERT.(MOLTEN SULPHUR)	
A	INDIAN BIDDERS	
2.10.1	GOULDS PUMPS INC (C/o ITT Corporation)	INDIA
2.10.2	FLOWSERVE CORPORATION	INDIA
2.11	PUMP-CENT. (BFW)	
A	INDIAN BIDDERS	
2.11.1	BHEL	INDIA
2.11.2	SPX FLOW (CLYDE UNION PUMP)	INDIA
2.11.3	GOULDS PUMPS INC (C/o ITT Corporation)	INDIA
2.11.4	FLOWSERVE INDIA CONTROLS PVT LTD	INDIA
2.11.5	FLOWSERVE (THOMPSONS KELLY&LEWIS PTY LTD)	INDIA
2.11.6	ITT CORPORATION INDIA PVT LTD	INDIA
2.11.7	KIRLOSKAR EBARA PUMPS LTD	INDIA

VENDOR LIST		
Sr.No	VENDOR NAME	COUNTRY
2.11.8	KSB PUMPS LTD	INDIA
2.11.9	NUOVO PIGNONE INTERNATIONAL S.R.L. (GE OIL CO.)	INDIA
2.11.10	RUHRPUMPEN INDIA PVT LTD	INDIA
2.11.11	STERLING FLUID SYSTEMS LTD	INDIA
2.11.12	SULZER PUMPS INDIA LIMITED	INDIA
2.11.13	ENSIVAL MORET BELGIUM SA	INDIA
2.11.14	SUNDYNE NIKKISO	INDIA
2.11.15	WEIR GABBIONETA SPA	INDIA
2.11.16	SHIN NIPPON MACHINERY CO LTD	INDIA
2.11.17	CNP PUMPS INDIA PVT LTD	INDIA
2.12	PUMP-CENT.SU.M(CRYO)	
A	INDIAN BIDDERS	
2.13	PUMP-CENT.H/V(FW)	
A	INDIAN BIDDERS	
2.13.1	FLOWMORE LIMITED	INDIA
2.13.2	KIRLOSKAR BROTHERS LTD	INDIA
2.13.3	WILO MATHER AND PLATT PUMPS PVT. LTD.	INDIA
2.13.4	WPIL LTD	INDIA
2.13.5	FLOWSERVE	INDIA
2.13.6	ITT	INDIA
2.13.7	KSB	INDIA
2.14	PUMP-CENT.HOR.MULTI STAGE(SPP)	
A	INDIAN BIDDERS	
2.14.1	SPX FLOW (CLYDE UNION PUMP)	INDIA
2.14.2	FLOWSERVE INDIA CONTROLS PVT LTD	INDIA
2.14.3	FLOWSERVE (THOMPSONS KELLY&LEWIS PTY LTD)	INDIA
2.14.4	ITT CORPORATION INDIA PVT LTD	INDIA
2.14.5	KIRLOSKAR EBARA PUMPS LTD	INDIA
2.14.6	KSB PUMPS LTD	INDIA
2.14.7	NUOVO PIGNONE INTERNATIONAL S.R.L. (GE OIL CO.)	INDIA
2.14.8	RUHRPUMPEN INDIA PVT LTD	INDIA
2.14.9	SULZER PUMPS INDIA LIMITED	INDIA
2.15	PUMP-CENT. (LOW CAPACITY HIGH HEAD)	

VENDOR LIST		
Sr.No	VENDOR NAME	COUNTRY
A	INDIAN BIDDERS	
2.15.1	FLOWSERVE INDIA CONTROLS PVT LTD.	INDIA
2.16	PUMP-ROTARY.SCREW	
A	INDIAN BIDDERS	
2.16.1	ALEKTON ENGG INDUSTRIES PVT. LTD	INDIA
2.16.2	FLOWSERVE INDIA CONTROLS PVT LTD	INDIA
2.16.3	NETZSCH TECHNOLOGIES INDIA PVT.LTD	INDIA
2.16.4	ROTO PUMPS LTD	INDIA
2.16.5	SEEPEX GMBH	INDIA
2.16.6	ALLWEILER INDIA PVT LTD. (A CIRCOR BUSINESS UNIT)	INDIA
2.16.7	TUSHACO PUMPS PVT. LTD	INDIA
2.16.8	UT PUMPS & SYSTEMS PVT. LTD. (BORNEMAN)	INDIA
2.16.9	ITT	INDIA
2.16.10	KSB	INDIA
2.16.11	PLENTY MIRRLESS PUMPS(SPX FLOW)	INDIA
2.16.12	MADAV FLUID SOLUTIONS-(VIKING)	INDIA
2.17	PUMP-ROTARY.GEAR	
A	INDIAN BIDDERS	
2.17.1	DEL PD PUMPS & GEARS PVT. LTD.	INDIA
2.17.2	FLOWSERVE INDIA CONTROLS PVT LTD	INDIA
2.17.3	TUSHACO PUMPS PVT. LTD	INDIA
2.17.4	ITT	INDIA
2.17.5	KSB	INDIA
2.17.6	ALLWEILER INDIA PVT LTD	INDIA
2.17.7	NETZSCH TECHNOLOG IES INDIA PVT.LTD.	INDIA
2.17.8	MADAV FLUID SOLUTIONS-(VIKING)	INDIA
2.17.9	PLENTY MIRRLESS PUMPS(SPX FLOW)	INDIA
2.18	PUMP-ROTARY.SL.VANE	
A	INDIAN BIDDERS	
2.18.1	KSB	INDIA
2.18.2	FLOWSERVE	INDIA
2.18.3	ITT	INDIA
2.19	PUMP-ROT.SCR.ARC(ES)	

VENDOR LIST		
Sr.No	VENDOR NAME	COUNTRY
A	INDIAN BIDDERS	
2.19.1	KSB	INDIA
2.19.2	FLOWSERVE	INDIA
2.19.3	ITT	INDIA
2.20	PUMP-ROTARY(LOBE)	
2.20.1	FLOWSERVE	INDIA
2.20.2	GOULDS PUMPS INC	INDIA
2.20.3	KSB PUMPS LTD	INDIA
2.20.4	VOGELANG INDIA PVT LTD	INDIA
2.21	PUMP-SLURRY.RECIPRO	
A	INDIAN BIDDERS	
2.22	PUMP-SLURRY.CENT.H/V	
A	INDIAN BIDDERS	
2.22.1	SPX FLOW (CLYDE UNION PUMP)	INDIA
2.22.2	FLOWSERVE CORPORATION	INDIA
2.22.3	FLOWSERVE(THOMPSONS KELLY&LEWIS PTY LTD)	INDIA
2.22.4	ITT CORPORATION INDIA PVT LTD	INDIA
2.22.5	KIRLOSKAR BROTHERS LTD	INDIA
2.22.6	KSB PUMPS LTD (POONA)	INDIA
2.22.7	SAM TURBO INDUSTRYPVT. LTD(ENQ-ACE MKTG)	INDIA
2.22.8	SULZER PUMPS INDIA LIMITED	INDIA
2.22.9	SULZER BROTHERS LTD	INDIA
2.23	PUMP-RECIPRO (API 674)	
A	INDIAN BIDDERS	
2.23.1	DENCIL PUMPS AND SYSTEMS PVT LTD	INDIA
2.23.2	FLOWSERVE INDIA CONTROLS PVT LTD	INDIA
2.23.3	GOMA ENGINEERING PVT LTD	INDIA
2.23.4	HIRO NISHA SYSTEMS PVT. LTD.	INDIA
2.23.5	ITT	INDIA
2.23.6	KSB	INDIA
2.23.7	SWELORE ENGG. PVT. LTD.	INDIA
2.23.8	V.K. PUMPS INDUSTRIES PVT. LTD.	INDIA
2.23.9	POSITIVE METERING PUMP PVT. LTD.	INDIA

VENDOR LIST		
Sr.No	VENDOR NAME	COUNTRY
2.23.10	ACCUDYNE INDUSTRIES INDIA PVT. LTD.	INDIA
2.24	PUMP-A.F.PROPELLER	
A	INDIAN BIDDERS	
2.24.1	SPX FLOW (CLYDE UNION PUMP)	INDIA
2.24.2	FLOWSERVE CORPORATION	INDIA
2.24.3	ITT	INDIA
2.24.4	KSB	INDIA
2.25	PUMP - AIR OPERATED DIAPHRAGM	
A	INDIAN BIDDERS	
2.25.1	HI-LIFE MANUFACTURING CO.	INDIA
2.25.2	MONIBA ANAND ELECTRICALS PVT LTD	INDIA
2.25.3	ITT	INDIA
2.25.4	FLOWSERVE	INDIA
2.25.5	KSB	INDIA
2.26	EJECTOR	
A	INDIAN BIDDERS	
2.26.1	MAZDA LIMITED	INDIA
2.26.2	NEW FIELD INDUSTRIAL EQUIPMENT PVT LTD	INDIA
2.26.3	CHEM PROCESS	INDIA
2.27	COMP-RECIPRO(SPP)	
A	INDIAN BIDDERS	
2.27.1	BURCKHARDT COMPRESSION (INDIA) PVT.LTD.	INDIA
2.27.2	SIEMENS (FORMER DRESSER RAND INDIA PVT LTD)	INDIA
2.27.3	GARDNER DENVER	INDIA
2.27.4	HITACHI LTD. INTERNATIONAL	INDIA
2.27.5	NEUMAN & ESSER ENGINEERING INDIA PVT LTD	INDIA
2.27.6	ATLAS COPCO	INDIA
2.27.7	DRESSER RAND	INDIA
2.27.8	HOWDEN	INDIA
2.27.9	EMERSON COPELAND	INDIA
2.28	COMP-RECIPRO(PIANS)	
A	INDIAN BIDDERS	
2.28.1	BURCKHARDT COMPRESSION (INDIA) PVT. LTD.	INDIA

VENDOR LIST		
Sr.No	VENDOR NAME	COUNTRY
2.28.2	DRESSER RAND INDIA PVT LTD	INDIA
2.28.3	SIEMENS (FORMER DRESSER RAND INDIA PVT LTD)	INDIA
2.28.4	GARDNER DENVER	INDIA
2.28.5	HITACHI LTD	INDIA
2.28.6	INGERSOLL-RAND (INDIA) LTD.	INDIA
2.28.7	KIRLOSKAR PNEUMATIC CO LTD	INDIA
2.28.8	NEUMAN & ESSER ENGINEERING INDIA PVT LTD	INDIA
2.28.9	NUOVO PIGNONE SPA	INDIA
2.28.10	ATLAS COPCO	INDIA
2.28.11	EMERSON COPELAND	INDIA
2.29	COMP-RECIPRO(DIAPHRAGM)	
A	INDIAN BIDDERS	
2.29.1	NEUMAN & ESSER ENGINEERING INDIA PVT LTD	INDIA
2.29.2	SUNDYNE	INDIA
2.30	COMP-RECIPRO(LABYRINTH)	
A	INDIAN BIDDERS	
2.30.1	BURCKHARDT COMPRESSION AG	INDIA
2.31	COMP. HIGH PRESSURE(PIANS)	
A	INDIAN BIDDERS	
2.31.1	NEUMAN & ESSER ENGINEERING (I) PVT LTD.	INDIA
2.32	COMP-CENT.(SPP)	
A	INDIAN BIDDERS	
2.32.1	BHEL	INDIA
2.32.2	NUOVO PIGNONE INTERNATIONAL S.R.L. (GE OIL CO.)	INDIA
2.32.3	HITACHI LTD	INDIA
2.32.4	MAN TURBOMASCHINEN AG	INDIA
2.32.5	MITSUBISHI HEAVY INDUSTRIES LTD	INDIA
2.32.6	SIEMENS (FORMER DRESSER RAND INDIA PVT LTD)	INDIA
2.32.7	ATLAS COPCO	INDIA
2.33	COMP-ROT.LIQUID RING/VP(PS)	
A	INDIAN BIDDERS	
2.33.1	BUSCH GVT LTD (FORMER GRAHAM PRECISION PUMP)	INDIA
2.33.2	EDWARDS LTD (PROCESS VACUUM SYSTEMS)	INDIA

VENDOR LIST		
Sr.No	VENDOR NAME	COUNTRY
2.33.3	GARDNER DENVER NASH ENGINEERED PRODUCTS INDIA PVT LTD	INDIA
2.33.4	JB SAWANT ENGG PVT LTD	INDIA
2.33.5	PPI SYSTEM	INDIA
2.33.6	SIEMENS (FORMER DRESSER RAND INDIA PVT LTD)	INDIA
2.33.7	SIHI PUMPS (SHANGHAI) CO.,LTD	INDIA
2.33.8	SWAM PNEUMATICS PVT. LTD.	INDIA
2.33.9	UNOZAWA GUMI IRON WORKS LTD	INDIA
2.33.10	FLOWSERVE	INDIA
2.34	COMP-ROT.LIQUID RING / VP(AS)	
A	INDIAN BIDDERS	
2.34.1	GARDNER DENVER NASH ENGINEERED PRODUCTS INDIA PVT LTD	INDIA
2.34.2	BUSCH GVT LTD (FORM GRAHAM PRECISION PUMP	INDIA
2.34.3	EDWARDS LTD (PROCESS VACUUM SYSTEMS)	INDIA
2.34.4	JB SAWANT ENGG PVT LTD	INDIA
2.34.5	PPI SYSTEM	INDIA
2.34.6	SIHI PUMPS (SHANGHAI) CO.,LTD	INDIA
2.34.7	SWAM PNEUMATICS PVT. LTD.	INDIA
2.34.8	DRESSER RAND	INDIA
2.34.9	PRECISION PNEUMATICS INDUSTRIES	INDIA
2.35	MECH.SEAL FOR PUMPS/AGITATORS	
A	INDIAN BIDDERS	
2.35.1	AESSEAL INDIA PVT.LTD.	INDIA
2.35.2	CHHETRA SEALS INDIA PVT. LTD.	INDIA
2.35.3	EAGLEBURGMANN INDIA PVT LTD	INDIA
2.35.4	FLOWSERVE SANMAR LTD	INDIA
2.35.5	JOHN CRANE SEALING SYSTEMS INDIA PVT. LTD.	INDIA
2.35.6	LEAK PROOF ENGG (I) PVT LTD	INDIA
2.36	MECHANICAL SEALS (API 682 TYPE & DRY GAS SEAL)	
A	INDIAN BIDDERS	
2.36.1	AESSEAL INDIA PVT.LTD.	INDIA
2.36.2	CHHETRA SEALS INDIA PVT. LTD.	INDIA
2.36.3	EAGLEBURGMANN INDIA PVT LTD	INDIA
2.36.4	FLOWSERVE SANMAR LTD	INDIA

VENDOR LIST		
Sr.No	VENDOR NAME	COUNTRY
2.36.5	JOHN CRANE SEALING SYSTEMS INDIA PVT. LTD.	INDIA
2.36.6	LEAK PROOF ENGG (I) PVT LTD	INDIA
2.37	COMP-ROT.SCREW(PS)	
A	INDIAN BIDDERS	
2.37.1	ATLAS COPCO	INDIA
2.37.2	NUOVO PIGNONE INTERNATIONAL S.R.L. (GE OIL CO.)	INDIA
2.37.3	HOWDEN SOLYVENT (INDIA) PVT. LTD. (C/O Howden Thomassen India Pvt Ltd)	INDIA
2.37.4	INGERSOL RAND	INDIA
2.37.5	KIRLOSKAR PNEUMATIC CO LTD	INDIA
2.37.6	MAN TURBOMASCHINEN AG	INDIA
2.37.7	SIEMENS	INDIA
2.37.8	ELGI EQUIPMENT LIMITED	INDIA
2.38	COMP-ROT.SCREW(PIAS)	
A	INDIAN BIDDERS	
2.38.1	ELGI EQUIPMENTS LTD.	INDIA
2.38.2	HOWDEN SOLYVENT (INDIA) PVT. LTD. (C/O Howden Thomassen India Pvt Ltd)	INDIA
2.38.3	INGERSOLL-RAND (INDIA) LTD.	INDIA
2.38.4	KIRLOSKAR PNEUMATIC CO LTD- (PUNE)	INDIA
2.38.5	MAN TURBOMASCHINEN AG	INDIA
2.38.6	ATLAS COPCO	INDIA
2.39	COMP-EXPANDER(PRO)	
A	INDIAN BIDDERS	
2.39.1	NUOVO PIGNONE INTERNATIONAL S.R.L. (GE OIL CO.)	INDIA
2.40	COMP-EXPANDER(AIR)	
A	INDIAN BIDDERS	
2.40.1	NUOVO PIGNONE INTERNATIONAL S.R.L. (GE OIL CO.)	INDIA
2.41	TURBINE-STEAM(GP)	
A	INDIAN BIDDERS	
2.41.1	BELLISS INDIA LTD	INDIA
2.41.2	HITACHI LTD.	INDIA
2.41.3	MAN TURBOMASCHINEN AG	INDIA
2.41.4	MITSUBISHI HEAVY INDUSTRIES LTD	INDIA
2.41.5	NUOVO PIGNONE INTERNATIONAL S.R.L. (GE OIL CO.)	INDIA

VENDOR LIST		
Sr.No	VENDOR NAME	COUNTRY
2.41.6	SIEMENS (FORMER DRESSER RAND INDIA PVT LTD)	INDIA
2.41.7	WESTINGHOUSE ELECTRIC CORPORATION	INDIA
2.41.8	KIRLOSKAR EBARA PUMPS LTD.	INDIA
2.42	TURBINE-STEAM(SP)	
2.42.1	ABB LTD	INDIA
2.42.2	BHEL	INDIA
2.42.3	GEC ALSTHOM TURBINE GENERATORS	INDIA
2.42.4	HITACHI LTD.	INDIA
2.42.5	MAN TURBOMASCHINEN AG	INDIA
2.42.6	mitsubishi heavy industries ltd	INDIA
2.42.7	NUOVO PIGNONE INTERNATIONAL S.R.L. (GE OIL CO.)	INDIA
2.42.8	SIEMENS (FORMER DRESSER RAND INDIA PVT LTD)	INDIA
2.42.9	WESTINGHOUSE ELECTRIC CORPORATION	INDIA
2.42.10	KIRLOSKAR EBARA PUMPS LTD.	INDIA
2.43	TURBINE-GAS	
A	INDIAN BIDDERS	
2.43.1	BHEL	INDIA
2.43.2	MAN TURBOMASCHINEN AG	INDIA
2.43.3	mitsubishi heavy industries ltd	INDIA
2.43.4	NUOVO PIGNONE INTERNATIONAL S.R.L. (GE OIL CO.)	INDIA
2.43.5	SIEMENS INDUSTRIAL TURBO MACHINERY LTD.	INDIA
2.43.6	WESTINGHOUSE ELECTRIC CORPORATION	INDIA
2.44	FAN-ID/FD	
A	INDIAN BIDDERS	
2.44.1	ABB ALVI	INDIA
2.44.2	AEROTO BOLDROCCHI (I) P.LTD.	INDIA
2.44.3	AIR CONTROL & CHEMICAL ENGG.CO.LTD.	INDIA
2.44.4	ANDREW YULE & CO LTD-KOLKATA	INDIA
2.44.5	BHEL	INDIA
2.44.6	CBI Group	INDIA
2.44.7	EBARA CORPORATION	INDIA
2.44.8	FLAKT (INDIA) LTD (UPTO 130 kW CHENNAI)	INDIA
2.44.9	HOWDEN SOLYVENT (INDIA) PVT. LTD.	INDIA

VENDOR LIST		
Sr.No	VENDOR NAME	COUNTRY
2.44.10	mitsubishi heavy industries ltd	INDIA
2.44.11	REITZ INDIA LTD	INDIA
2.44.12	SOLYVENT FLAKT (INDIA) PVT. LIMITED	INDIA
2.44.13	THERMAX LTD	INDIA
2.44.14	TLT ENGINEERING INDIA PVT LTD	INDIA
2.44.15	HOWDEN PROCESS COMPRESSORS	INDIA
2.44.16	TUTHILL	INDIA
2.45	FAN-AXIAL FLOW	
A	INDIAN BIDDERS	
2.45.1	MARATHON ELECTRIC MOTOR I LTD-	INDIA
2.45.2	PATELS AIRFLOW LTD.	INDIA
2.46	BLOWER-TURBO CENTRIFUGAL	
A	INDIAN BIDDERS	
2.46.1	AIR CONTROL & CHEMICAL ENGG.CO.LTD.	INDIA
2.46.2	BATLIBOI ENVIRONMENTAL ENGG.LIMITED	INDIA
2.46.3	BOLDROCCHI (I) PVT. LTD.	INDIA
2.46.4	HITACHI LTD.	INDIA
2.46.5	HOWDEN SOLYVENT (INDIA) PVT. LTD.	INDIA
2.46.6	MAN TURBOMASCHINEN AG	INDIA
2.46.7	MARATHON ELECTRIC MOTOR I LTD-	INDIA
2.46.8	MITSUBISHI HEAVY INDUSTRIES LTD	INDIA
2.46.9	NUOVO PIGNONE INTERNATIONAL S.R.L. (GE OIL CO.)	INDIA
2.46.10	PATELS AIRFLOW LTD.	INDIA
2.46.11	SOLYVENT FLAKT (INDIA) PVT. LTD.	INDIA
2.46.12	HOWDEN PROCESS COMPRESSORS	INDIA
2.46.13	SIEMENS	INDIA
2.46.14	TUTHILL	INDIA
2.46.15	TMVT INDUSTRIES PVT. LTD.	INDIA
2.46.16	PPI SYSTEM	INDIA
2.47	POSITIVE DISPLACEMENT PUMPS RECIPROCATING - (CONTROLLED VOLUME)	
A	INDIAN BIDDERS	
2.47.1	ACCUDYNE INDUSTRIES	INDIA
2.47.2	FLOWSERVE	INDIA

VENDOR LIST		
Sr.No	VENDOR NAME	COUNTRY
2.47.3	GOULDS PUMPS INC (M/s ITT Corporation Ltd.)	INDIA
2.47.4	KSB PUMPS LTD	INDIA
2.47.5	POSITIVE METERING SYSTEM	INDIA
2.47.6	SPX FLOW TECHNOLOGIES PVT. LTD.	INDIA
2.47.7	SWELORE ENGG (P) LTD.	INDIA
2.47.8	V.K.PUMPS INDUSTRIES	INDIA
2.47.9	MILTON ROY	INDIA
2.47.10	SHAPO TOOLS	INDIA
2.48	AGITATOR	
A	INDIAN BIDDERS	
2.48.1	A J SERVICES	INDIA
2.48.2	CEECONS INDIA	INDIA
2.48.3	GMM PFAUDLER LTD	INDIA
2.48.4	HITACHI LTD.	INDIA
2.48.5	METSO MINERALS CANADA INC.	INDIA
2.48.6	MIXRITE CORPORATION	INDIA
2.48.7	MIXRITE MIXING SYSTEMS	INDIA
2.48.8	RATHI MIXERS PVT LTD	INDIA
2.48.9	REMI PROCESS PLANT & MACHINERY LTD	INDIA
2.48.10	SHAPOTOOLS INDIA	INDIA
2.48.11	STANDARD ENGINEERS	INDIA
2.48.12	SUDARSHAN CHEMICAL INDUSTRIES LTD (FORMERLY DIV. KNOWN AS RATHI VESSELS & SYSTEMS PVT LTD.) INDIA	INDIA
2.48.13	SPX PROCESS EQUIPMENT LTD	INDIA
2.49	Centrifugal Pumps - Sealless General Service	
A	INDIAN BIDDERS	
2.49.1	FLOWSERVE	INDIA
2.50	Special Purpose Gear Unit	
A	INDIAN BIDDERS	
2.50.1	TRIVENI	INDIA
2.50.6	TRIVENI	INDIA
2.51	ONE WAY CLUTCH	
A	INDIAN BIDDERS	

VENDOR LIST		
Sr.No	VENDOR NAME	COUNTRY
2.52	FLEXIBLE METALLIC COUPLING	
A	INDIAN BIDDERS	
2.52.1	EUROFLEX (NON API 617)	INDIA
2.52.2	RATHI (NON API 617)	INDIA
2.52.3	UNIQUE (NON API 617)	INDIA
2.52.4	JOHNCRANE	INDIA
2.53	Centrifugal Pumps - Non Metallic / Lined	
A	INDIAN BIDDERS	
2.53.1	FLOWERVE	INDIA
2.53.2	ITT (GOULDS PUMPS)	INDIA
2.53.3	AMBICA	INDIA
2.53.4	Bhagwati Engineering Works	INDIA
2.53.5	Process Pumps (I) Pvt.Ltd.	INDIA
2.53.6	Leak-Proof Pumps (I) Pvt.Ltd.	INDIA
2.54	VACUUM PUMPS	
A	INDIAN BIDDERS	
2.54.1	PPI PUMPS PVT. LTD.	INDIA
2.54.2	VINDI VAK PUMP PVT. LTD.	INDIA
2.54.3	JOYAM ENGINEERS & CONSULTANTS PVT. LTD.	INDIA
2.54.4	INDO-AIR COMPRESSORS PVT. LTD.	INDIA
2.54.5	CORE ENERGY SYSTEMS PVT. LTD.	INDIA
2.54.9	GARDNER DENVER ENGINEERING PRODUCTS INDIA PVT. LTD.	INDIA / SINGAPORE
2.54.11	BUSCH VACUUM INDIA PVT LTD.	UK / INDIA
2.54.12	INDUSTRIAL BLOWERS SERVICES LTD.	UK / INDIA
2.55	PUMP-CRITICAL TEMPERATURE COLD SERVICE	
3	FIRE FIGHTING EQUIPMENT	
3.1	FIRE EXTINGUISHERS (PORTABLE)	
A	INDIAN BIDDERS	
3.1.1	ASCO STRUMECH PVT LTD	INDIA
3.1.2	BHARAT ENGG. WORKS	INDIA
3.1.3	BRIJBASI HI-TECH UDYOG	INDIA
3.1.4	FIRE SAFETY DEVICES PVT. LIMITED	INDIA
3.1.5	GUNNEBO INDIA LIMITED	INDIA

VENDOR LIST		
Sr.No	VENDOR NAME	COUNTRY
3.1.6	INTEGRATED FIRE PROTECTION PVT. LTD.	INDIA
3.1.7	INTIME FIRE APPLIANCES PVT LTD	INDIA
3.1.8	KANADIA FYR FYTER PVT. LTD.	INDIA
3.1.9	KIDDE INDIA LTD.	INDIA
3.1.10	NEWAGE INDUSTRIES	INDIA
3.1.11	NITIN FIRE PROTECTION INDUSTRIES LTD	INDIA
3.1.12	SAFEX FIRE SERVICES LTD.	INDIA
3.1.13	SUPREMEX EQUIPMENTS	INDIA
3.1.14	UNITED FIRE EQUIPMENTS PVT. LTD.	INDIA
3.1.15	VIMAL FIRE CONTROLS PVT LTD	INDIA
3.1.16	ZENITH FIRE SERVICES (INDIA) PVT. LTD.	INDIA
3.1.17	MINIMAX	INDIA
3.2	SAFETY SHOWER & EYE WASHER	
A	INDIAN BIDDERS	
3.2.1	CREATIVE ENGINEERS	INDIA
3.2.2	PRADEEP SAFETY PVT LTD.	INDIA
3.2.3	FRANCIS LESLIE & CO.	INDIA
3.2.4	STAR ENGINEERS	INDIA
3.2.5	TYCO FIRE & INTEGRATED SOLUTIONS	INDIA
3.2.6	UNICARE EMERGENCY EQPT	INDIA
3.3	CLEAN AGENT SYSTEM	
A	INDIAN BIDDERS	
3.3.1	CHETAN CORPORATION	INDIA
3.3.2	MX SYSTEMS INTERNATIONAL PVT. LTD.	INDIA
3.3.3	NEW FIRE ENGINEERS (P) LTD	INDIA
3.3.4	NITIN FIRE PROTECTION INDUSTRIES LTD	INDIA
3.3.5	SIEMENS LIMITED	INDIA
3.3.6	TYCO FIRE & SECURITY INDIA PVT. LTD	INDIA
3.3.7	UNITECH NOHMI FIRE PROTECTION SYS(P)LTD	INDIA
3.3.8	CHETAN ENGINEERS	INDIA
3.3.9	MINIMAX	INDIA
3.3.10	VIMAL FIRE CONTROLS PVT LTD.	INDIA
3.3.11	STERLING FIRE FIGHTING SERVICES PVT LTD.	INDIA

VENDOR LIST		
Sr.No	VENDOR NAME	COUNTRY
3.3.12	WILSON FIRE FIGHTING EQUIPMENTS	INDIA
3.4	DELUGE VALVE AND HEAT DETECTORS	
A	INDIAN BIDDERS	
3.4.1	DE'S TECHNICO PVT LTD	INDIA
3.4.2	FIRETECH EQUIPMENTS & SYSTEM PVT. LTD.	INDIA
3.4.3	FLOW-TEK VALVES & CONTROLS INC	INDIA
3.4.4	HD FIREPROTECT PVT. LTD.	INDIA
3.4.5	UTC FIRE AND SECURITY INDIA	INDIA
3.4.6	TYCO FIRE AND INTEGRATED SOLUTIONS	INDIA
3.4.7	MINIMAX	INDIA
3.5	HOSE DELIVERY	
A	INDIAN BIDDERS	
3.5.1	CHHATARIYA FIRETECH INDUSTRIES	INDIA
3.5.2	DEWAS HYDROQUIP PVT LTD	INDIA
3.5.3	HELIFLEX HYDRAULICS & ENGG.CO.	INDIA
3.5.4	INDUSTRIAL COMMERTIAL CORPORATION	INDIA
3.5.5	NEWAGE FIRE PROTECTION INDUSTRIES P LTD	INDIA
3.5.6	NEWAGE FIREFIGHTING CO, LTD.	INDIA
3.5.7	NITIN FIRE PROTECTION INDUSTRIES LTD	INDIA
3.5.8	SUKAN EQUIPMENTS PVT LTD	INDIA
3.5.9	CHHATARIYA RUBBER & CHEMICAL INDUSTRIES	INDIA
3.6	FIRE HOSE ACCESSORIES	
A	INDIAN BIDDERS	
3.6.1	ASCO STRUMECH PVT.LTD.	INDIA
3.6.2	BRIJBASI HI-TECH UDYOG	INDIA
3.6.3	GUNNEBO INDIA LIMITED	INDIA
3.6.4	KIDDE INDIA LTD.	INDIA
3.6.5	NEWAGE FIRE PROTECTION INDUSTRIES P LTD	INDIA
3.6.6	NEWAGE INDUSTRIES	INDIA
3.6.7	SHAH BHOGILAL JETHALAL & BROTHERS	INDIA
3.6.8	SUKAN EQUIPMENTS PVT LTD	INDIA
3.6.9	SUPREMEX EQUIPMENTS	INDIA
3.6.10	UNITED FIRE EQUIPMENTS PVT. LTD.	INDIA

VENDOR LIST		
Sr.No	VENDOR NAME	COUNTRY
3.6.11	VIMAL FIRE CONTROLS PVT LTD	INDIA
3.7	FOAM MAKER	
A	INDIAN BIDDERS	
3.7.1	BRIJBASI HI-TECH UDYOG	INDIA
3.7.2	FIRETECH EQUIPMENTS & SYSTEM PVT. LTD.	INDIA
3.7.3	HD FIREPROTECT PVT. LTD.	INDIA
3.7.4	NEWAGE INDUSTRIES	INDIA
3.8	VAPOUR SEAL CHAMBER	
A	INDIAN BIDDERS	
3.8.1	BRIJBASI HI-TECH UDYOG	INDIA
3.8.2	HD FIREPROTECT PVT. LTD.	INDIA
3.8.3	NEWAGE FIREFIGHTING CO, LTD.	INDIA
3.9	BRANCH PIPES	
A	INDIAN BIDDERS	
3.9.1	ASCO STRUMECH PVT LTD	INDIA
3.9.2	BRIJBASI HI-TECH UDYOG	INDIA
3.9.3	GUNNEBO INDIA LIMITED	INDIA
3.9.4	NEWAGE FIREFIGHTING CO.LTD.	INDIA
3.9.5	NITIN FIRE PROTECTION INDUSTRIES LTD	INDIA
3.9.6	SHAH BHOGILAL JETHALAL & BROTHERS	INDIA
3.9.7	SUKAN EQUIPMENTS PVT LTD	INDIA
3.9.8	SUPREMEX EQUIPMENTS	INDIA
3.9.9	UNITED FIRE EQUIPMENTS PVT. LTD.	INDIA
3.9.10	VIMAL FIRE CONTROLS PVT LTD	INDIA
3.9.11	ZENITH FIRE SERVICES (INDIA) PVT. LTD.	INDIA
3.1	INLINE INDUCTORS	
A	INDIAN BIDDERS	
3.10.1	BRIJBASI HI-TECH UDYOG	INDIA
3.10.2	FIRETECH EQUIPMENTS & SYSTEM PVT. LTD.	INDIA
3.10.3	INTEGRATED FIRE PROTECTION PVT. LTD.	INDIA
3.10.4	NEWAGE FIREFIGHTING CO.LTD.	INDIA
3.11	WATER SPRINKLER	
A	INDIAN BIDDERS	

VENDOR LIST		
Sr.No	VENDOR NAME	COUNTRY
3.11.1	HD FIREPROTECT PVT. LTD.	INDIA
3.11.2	MX SYSTEMS INTERNATIONAL PVT. LTD.	INDIA
3.11.3	NITIN FIRE PROTECTION INDUSTRIES LTD	INDIA
3.11.4	TYCO FIRE & SECURITY INDIA PVT. LTD	INDIA
3.11.5	MINIMAX	INDIA
3.12	FIXED FOAM SYSTEM (FOAM PACKAGE)	
A	INDIAN BIDDERS	
3.12.1	BRIJBASI HI-TECH UDYOG	INDIA
3.12.2	HD FIREPROTECT PVT. LTD.	INDIA
3.12.3	MX SYSTEMS INTERNATIONAL PVT. LTD.	INDIA
3.13	HYDRANT/LANDING VALVE	
A	INDIAN BIDDERS	
3.13.1	ASCO STRUMECH PVT.LTD.	INDIA
3.13.2	BRIJBASI HI-TECH UDYOG	INDIA
3.13.3	GUNNEBO INDIA LIMITED	INDIA
3.13.4	NEWAGE FIREFIGHTING CO.LTD.	INDIA
3.13.5	NITIN FIRE PROTECTION INDUSTRIES LTD	INDIA
3.13.6	SHAH BHOGILAL JETHALAL & BROTHERS	INDIA
3.13.7	SUKAN EQUIPMENTS PVT LTD	INDIA
3.13.8	UNITED FIRE EQUIPMENTS PVT. LTD.	INDIA
3.13.9	VENUS PUMP & ENGINEERING WORKS	INDIA
3.13.10	KIDDE INDIA LTD	INDIA
3.13.11	TYCO FIRE & INTEGRATED FIRE SOLUTION	INDIA
3.13.12	ZENITH FIRE SERVICES	INDIA
3.14	SPRAY NOZZLE- FIRE FIGHTING	
A	INDIAN BIDDERS	
3.14.1	FIRETECH EQUIPMENTS & SYSTEM PVT. LTD.	INDIA
3.14.2	HD FIREPROTECT PVT. LTD.	INDIA
3.14.3	TYCO FIRE & INTEGRATED FIRE SOLUTION	INDIA
3.14.4	UTC FIRE AND SECURITY INDIA LTD	INDIA
3.15	AUTO DCP EXTINGUISHING SYSTEM	
A	INDIAN BIDDERS	
3.15.1	MX SYSTEMS INTERNATIONAL PVT. LTD.	INDIA

VENDOR LIST		
Sr.No	VENDOR NAME	COUNTRY
3.15.2	VIJAY FIRE VEHICLES AND PUMPS LTD	INDIA
3.16	HV/MV SPRAY SYSTEMS	
A	INDIAN BIDDERS	
3.16.1	AGNICE FIRE PROTECTION. PVT LTD.	INDIA
3.16.2	DE'S TECHNICO PVT LTD.	INDIA
3.16.3	HD FIREPROTECT PVT. LTD.	INDIA
3.16.4	HONEYWELL AUTOMATION INDIA LTD	INDIA
3.16.5	KIDDE INDIA LTD.	INDIA
3.16.6	Wilo MATHER & PLATT PUMPS LTD.	INDIA
3.16.7	MX SYSTEMS INTERNATIONAL PVT. LTD.	INDIA
3.16.8	NEW FIRE ENGINEERS (P) LTD	INDIA
3.16.9	TECHNO FIRE PROTECTION SERVICES PVT LTD	INDIA
3.16.10	THERMOSYSTEMS PVT LTD	INDIA
3.16.11	MEHTA AND ASSO FIRE PROTECTION SYSTEM	INDIA
3.16.12	TYCO ENGINERING AND CONSTURCTION PVT LTD	INDIA
3.17	RIM SEAL FIRE PROTECTION SYSTEM	
A	INDIAN BIDDERS	
3.17.1	HSE ENGINEERS PVT. LTD.	INDIA
3.17.3	VIMAL FIRE CONTROLS PVT LTD	INDIA
3.18	WATER MONITOR	
A	INDIAN BIDDERS	
3.18.1	AKRON BRASS COMPANY	INDIA
3.18.2	BRIJBASI HI-TECH UDYOG	INDIA
3.18.3	DE'S TECHNICO PVT LTD.	INDIA
3.18.4	FIRETECH EQUIPMENTS & SYSTEM PVT. LTD.	INDIA
3.18.5	GUNNEBO INDIA LIMITED	INDIA
3.18.6	HD FIREPROTECT PVT. LTD.	INDIA
3.18.7	NEWAGE FIREFIGHTING CO.LTD.	INDIA
3.18.8	NEWAGE INDUSTRIES	INDIA
3.18.9	SHAH BHOGILAL JETHALAL & BROTHERS	INDIA
3.18.10	SUPREMEX EQUIPMENTS	INDIA
3.18.11	VIMAL FIRE CONTROLS PVT LTD	INDIA
3.18.12	VISHAL FIRE PROTECTION EQUIPMENTS	INDIA

VENDOR LIST		
Sr.No	VENDOR NAME	COUNTRY
3.18.13	ZENITH FIRE SERVICES (INDIA) PVT LTD.	INDIA
3.18.14	MINIMAX	INDIA
3.19	WATER CUM FOAM MONITOR	
A	INDIAN BIDDERS	
3.19.1	AKRON BRASS COMPANY	INDIA
3.19.2	FIRETECH EQUIPMENTS & SYSTEM PVT. LTD.	INDIA
3.19.3	HD FIREPROTECT PVT. LTD.	INDIA
3.19.4	NEWAGE FIREFIGHTING CO.LTD.	INDIA
3.19.5	SHAH BHOGILAL JETHALAL & BROTHERS	INDIA
3.19.6	VIMAL FIRE CONTROLS PVT LTD	INDIA
3.19.7	ANGUS FIRE ARMER LTD	INDIA
3.19.8	TYCO FIRE AND INTEGRATED SOLUTIONS	INDIA
3.19.9	VISHAL FIRE PROTECTION EQUIPMENTS	INDIA
3.2	LONG RANGE MONITOR	
A	INDIAN BIDDERS	
3.20.1	AKRON BRASS COMPANY	INDIA
3.20.2	HD FIREPROTECT PVT. LTD.	INDIA
3.20.3	NEWAGE FIREFIGHTING CO.LTD.	INDIA
3.20.4	NEWAGE INDUSTRIES	INDIA
3.20.5	SHAH BHOGILAL JETHALAL & BROTHERS	INDIA
3.20.6	VIMAL FIRE CONTROLS PVT LTD	INDIA
3.21	REMOTE CONTROLLED MONITORS	
A	INDIAN BIDDERS	
3.21.1	AKRON BRASS COMPANY	INDIA
3.21.2	HD FIRE PROTECT PRIVATE LTD	INDIA
3.21.3	NEWAGE FIREFIGHTING CO.LTD.	INDIA
3.21.4	NEWAGE INDUSTRIES	INDIA
3.21.5	SHAH BHOGILAL JETHALAL & BROTHERS	INDIA
3.21.6	VIMAL FIRE CONTROLS PVT LTD	INDIA
4	PACKAGES , HVAC & MISCELLANEOUS	
4.1	DESALTER PACKAGE (COALESCER - ELECTROSTATIC)	
A	INDIAN BIDDERS	
4.2	VACUUM EJECTOR CONDENSER SYS(ENGINEERED)	

VENDOR LIST		
Sr.No	VENDOR NAME	COUNTRY
A	INDIAN BIDDERS	
4.2.1	GODREJ & BOYCE MFG. CO. LTD.	INDIA
4.2.2	MAZDA LIMITED.	INDIA
4.3	VACUUM EJECTOR CONDSR SYS(UNENGINEERED)	
A	INDIAN BIDDERS	
4.3.1	MAZDA LIMITED.	INDIA
4.4	DOSING PACKAGE(SKID MOUNTED)	
A	INDIAN BIDDERS	
4.4.1	ACCUDYNE INDUSTRIES INDIA PVT. LTD.	INDIA
4.4.2	DENCIL PUMPS AND SYSTEMS PVT. LTD.	INDIA
4.4.3	ENPRO INDUSTRIES PVT LTD	INDIA
4.4.4	SWELORE ENGG. (P) LTD	INDIA
4.4.5	V.K. PUMPS INDUSTRIES PVT. LTD	INDIA
4.4.6	METAPOW ENGINEERS PVT. LTD.	INDIA
4.4.8	MILTON ROY INDIA PVT LTD	INDIA
4.5	PRU (Propylene Recovery Unit) DRYER	
A	INDIAN BIDDERS	
4.6	PNUEMATIC CONVEYING PACKAGE(FLUID START PIPE)	
A	INDIAN BIDDERS	
4.6.1	COPERION IDEAL PVT LTD	INDIA
4.7	EXTRUDER / PELLETIZER PACKAGE	
A	INDIAN BIDDERS	
4.8	CATALYST, ADDITIVES UNLOADING PACKAGE	
A	INDIAN BIDDERS	
4.9	LOSS-IN WEIGHT FEEDER PACKAGE / SCREW CONVEYOR	
A	INDIAN BIDDERS	
4.10	ROTARY FEEDER	
A	INDIAN BIDDERS	
4.11	BAGGING PLANT	
A	INDIAN BIDDERS	
4.12	VACUUM CLEANING SYSTEMS	
A	INDIAN BIDDERS	
4.13	DRIER-AIR/GAS	

VENDOR LIST		
Sr.No	VENDOR NAME	COUNTRY
A	INDIAN BIDDERS	
4.13.1	CICB-CHEMICON PVT.LTD.	INDIA
4.13.2	DELAIR INDIA PVT LTD	INDIA
4.13.3	GAS PROCESSING EQUIPMENT PVT. LTD	INDIA
4.13.4	INDCON PROJECTS & EQUIPMENTS LTD	INDIA
4.13.5	LLOYDS STEELS INDUSTRIES LTD.	INDIA
4.13.6	PURIFLAIR INDIA PVT LIMITED	INDIA
4.13.7	SUMMITS HYGRONICS PVT.LTD	INDIA
4.13.8	TRIDENT PNEUMATIC PVT LTD	INDIA
4.13.9	ULTRAFILTER (INDIA) PVT. LTD	INDIA
4.13.10	UTTAM VALUE STEELS LTD	INDIA
4.13.11	CLEAN AIR	INDIA
4.13.12	GASO ENERGY SYSTEMS INDIA PVT LTD	INDIA
4.13.13	KILBURN ENGINEERING	INDIA
4.13.14	PROCESS EQUIPMENT ENGINEERING	INDIA
4.13.15	ADVANCED COMPAIR SYSTEM, INDIA	INDIA
4.13.16	AIROX NIGEN EQUIPMENTS PVT LTD	INDIA
4.14	FILTER BAG TYPE	
A	INDIAN BIDDERS	
4.14.1	BATLIBOI ENVIRONMENTAL ENGG.LIMITED	INDIA
4.14.2	COPERION IDEAL PVT. LTD.	INDIA
4.14.3	F.HARLEY & CO. PVT LTD.	INDIA
4.14.4	THERMAX LIMITED	INDIA
4.14.5	PALL	INDIA
4.15	PLANT & INSTRUMENT AIR COMPRESSOR PACKAGE	
A	INDIAN BIDDERS	
4.15.1	KIRLOSKAR PNEUMATIC CO. LTD	INDIA
4.15.2	BHARAT HEAVY ENGINEERING LIMITED (BHEL)	INDIA
4.16	COOLING TOWER	
A	INDIAN BIDDERS	
4.16.1	ADVANCE COOLING TOWERS PVT.LTD.	INDIA
4.16.2	BGR ENERGY SYSTEMS LIMITED	INDIA
4.16.3	GACTEL TURNKEY PROJECTS	INDIA

VENDOR LIST		
Sr.No	VENDOR NAME	COUNTRY
4.16.4	PAHARPUR COOLING TOWERS LTD	INDIA
4.16.5	HAMON SHRIRAM COTRELL PVT LTD	India
4.17	NITROGEN PLANT (CRYOGENIC)	
A	INDIAN BIDDERS	
4.17.1	AIR LIQUIDE GLOBAL E&C SOLUTIONS INDIA PRIVATE LIMITED	INDIA
4.17.2	AIR LIQUIDE ENGINEERING INDIA PRIVATE LTD (ALEI)	INDIA
4.17.3	BHARAT HEAVY ELECTRICALS LTD - HPVP	INDIA
4.17.4	CRYOGAS EQUIPMENT PRIVATE LIMITED	INDIA
4.17.5	GARDNER DENVER ENGINEERED PRODUCTS INDIA PVT LTD	INDIA
4.17.6	INOX AIR PRODUCTS LTD.	INDIA
4.17.7	NIRMAL INDUSTRIAL CONTROLS PVT. LTD.	INDIA
4.17.8	LINDE	INDIA
4.17.9	INOX INDIA PVT. LTD.	INDIA
4.18	DM WATER & CONDENSATE POLISHING UNIT	
A	INDIAN BIDDERS	
4.18.1	AQUATECH SYSTEMS (ASIA) PVT. LTD	INDIA
4.18.2	ION EXCHANGE (INDIA) LTD	INDIA
4.18.3	VA TECH WABAG LTD	INDIA
4.18.4	WIPRO WATER	INDIA
4.19	EFFLUENT TREATMENT PACKAGE	
A	INDIAN BIDDERS	
4.19.1	BIOTECH SERVICES	INDIA
4.19.2	CAMERON MANUFACTURING (INDIA) PVT.LIMITED (Group of Schlumberger Ltd)	INDIA
4.19.3	DOSHION VEOLIA WATER SOLUTIONS PVT LTD	INDIA
4.19.4	ECOTECH LABS	INDIA
4.19.5	ENPRO ENVIROTECH AND ENGINEERS PVT LTD.	INDIA
4.19.6	GEO MILLER & CO. PVT. LTD.	INDIA
4.19.7	ION EXCHANGE (INDIA) LTD	INDIA
4.19.8	ROCHEM SEPARATION SYSTEMS	INDIA
4.19.9	VA TECH WABAG LTD	INDIA
4.19.10	SUEZ WATER TECHNOLOGIES & SOLUTIONS INDIA	INDIA
4.19.11	TOSHIBA WATER SOLUTIONS PVT. LTD. INDIA	INDIA
4.20	EMERGENCY DIESEL GENERATOR	

VENDOR LIST		
Sr.No	VENDOR NAME	COUNTRY
A	INDIAN BIDDERS	
4.20.1	BHEL	INDIA
4.20.2	FUJI ELECTRIC INDIA PVT LTD	INDIA
4.20.3	KIRLOSKAR OIL ENGINES LTD	INDIA
4.20.4	STERLING AND WILSON POWERGEN PVT. LTD	INDIA
4.20.5	JAKSONS	INDIA
4.20.6	WARTSILA	INDIA
4.21	CRANE-H.O.T / E.O.T / ELECTRIC HOISTS	
A	INDIAN BIDDERS	
4.21.1	ANUPAM INDUSTRIES LIMITED (ANAND)	INDIA
4.21.2	ARMSEL MHE PVT LTD	INDIA
4.21.3	AVON CRANES PVT. LTD. INDIA	INDIA
4.21.4	BOMBAY POWERLIFT E.H. PVT. LTD. INDIA	INDIA
4.21.5	BRAITHWAITE & CO. LTD. INDIA	INDIA
4.21.6	CONSOLIDATED HOISTS PVT LTD.	INDIA
4.21.7	EDDY CRANES ENGRS (P) LTD	INDIA
4.21.8	ELECTROMECH MATERIAL HANDLING SYSTEMS	INDIA
4.21.9	FURNACE AND FOUNDRY EQUIPMENT CO.	INDIA
4.21.10	GRIP ENGINEERS PVT.LTD	INDIA
4.21.11	HEAVY ENGINEERING CORPORATION LTD	INDIA
4.21.12	HERCULES HOISTS LTD	INDIA
4.21.13	HINDUSTAN MOTORS LTD. INDIA	INDIA
4.21.14	JESSOP & CO. LTD. INDIA	INDIA
4.21.15	KALINGA ENGINEERS LTD. INDIA	INDIA
4.21.16	LIFTING EQUIPMENT & ACCESSORIES INDIA	INDIA
4.21.17	MEEKA MACHINERY PVT LTD	INDIA
4.21.18	MUKAND LIMITED	INDIA
4.21.19	RHS CRANES & COMPONENTS	INDIA
4.21.20	SAFEX ELECTROMECH PVT LTD	INDIA
4.21.21	SAFEX ENERGY PVT LTD	INDIA
4.21.22	SAVY ENGINEERING CORPORATION LTD. INDIA	INDIA
4.21.23	SOUTHERN STRUCTURALS LTD. INDIA	INDIA
4.21.24	TATA STEEL GROWTH SHOP	INDIA

VENDOR LIST		
Sr.No	VENDOR NAME	COUNTRY
4.21.25	TECHNO INDUSTRIES	INDIA
4.21.26	TRACTEL TIRFOR (I) PVT. LTD.	INDIA
4.21.27	TUNGABHADRA STEEL PRODUCTS LTD. INDIA	INDIA
4.21.28	UNIQUE INDUSTRIAL HANDLERS PVT. LTD.	INDIA
4.21.29	W.H.BRADY &CO.LTD	INDIA
4.21.30	WMI KONECRANES INDIA LTD.	INDIA
4.22	REFRIGERATION SYSTEM- VAPOUR ABSORPTION	
A	INDIAN BIDDERS	
4.22.1	ALFA LAVAL	INDIA
4.22.2	ETA ENGINEERING PVT. LTD.	INDIA
4.22.3	KIRLOSKAR PNEUMATIC CO. LTD.	INDIA
4.22.4	THERMAX LIMITED	INDIA
4.22.5	VOLTAS LIMITED	INDIA
4.23	VENTILATION & PRESSURISATION SYSTEM	
A	INDIAN BIDDERS	
4.23.1	ADVANCE VENTILATION PVT. LTD	INDIA
4.23.2	BLUE STAR LTD	INDIA
4.23.3	C DOCTOR INDIA PVT LTD	INDIA
4.23.4	CARRIER CORPORATION	INDIA
4.23.5	DUSTVEN PVT LTD	INDIA
4.23.6	EMERSON NETWORK POWER (I) PVT LTD	INDIA
4.23.7	ENGINEERS FABRICATORS	INDIA
4.23.8	KPC	INDIA
4.23.9	ROOTS COOLING SYSTEMS PVT LTD	INDIA
4.23.10	S K SYSTEMS PVT LTD	INDIA
4.23.11	VERTIV ENERGY PRIVATE LIMITED	INDIA
4.23.12	VOLTAS LIMITED	INDIA
4.24	AIR CONDITIONING SYSTEM - PACKAGE UNIT	
A	INDIAN BIDDERS	
4.24.1	ADVANCE VENTILATION PVT. LTD	INDIA
4.24.2	AIR PERFECTION	INDIA
4.24.3	BLUE STAR LTD	INDIA
4.24.4	EMERSON NETWORK POWER (I) PVT LTD (VERTIV INDIA)	INDIA

VENDOR LIST		
Sr.No	VENDOR NAME	COUNTRY
4.24.5	ETA ENGINEERING PVT. LTD.	INDIA
4.24.6	ROOTS COOLING SYSTEMS PVT LTD	INDIA
4.24.7	VOLTAS LIMITED	INDIA
4.25	AIR CONDITIONING SYSTEM - CENTRAL	
A	INDIAN BIDDERS	
4.25.1	ABB LTD.	INDIA
4.25.2	ADVANCE VENTILATION PVT LTD	INDIA
4.25.3	BATLIBOI	INDIA
4.25.4	BLUE START LTD	INDIA
4.25.5	CARRIER	INDIA
4.25.6	KIRLOSKAR PNEUMATIC CO. LTD.	INDIA
4.25.7	ROOTS COOLING SYSTEMS PVT LTD	INDIA
4.25.8	VOLTAS LTD	INDIA
4.26	CHILLER PACKAGE /CONDENSING UNIT	
A	INDIAN BIDDERS	
4.26.1	BLUESTAR	INDIA
4.26.2	CARRIER	INDIA
4.26.3	DAIKIN	INDIA
4.26.4	HITACHI	INDIA
4.26.5	KIRLOSKAR	INDIA
4.26.6	LG	INDIA
4.26.7	TRANE	INDIA
4.26.8	VOLTAS	INDIA
4.26.9	YORK	INDIA
4.27	AIR HANDLING UNIT	
A	INDIAN BIDDERS	
4.27.1	BLUESTAR	INDIA
4.27.2	CARYAIRE	INDIA
4.27.3	EDGETECH	INDIA
4.27.4	SUVIDHA(SAVEAIR)	INDIA
4.27.5	VOLTAS	INDIA
4.27.6	ZECO	INDIA
4.27.7	CARRIER	INDIA

VENDOR LIST		
Sr.No	VENDOR NAME	COUNTRY
4.27.8	TRANE	INDIA
4.27.9	YORK	INDIA
4.27.10	ABB	INDIA
4.27.11	FLAKT	INDIA
4.28	CHEMICAL FILTER (HVAC)	
A	INDIAN BIDDERS	
4.28.1	BRY AIR	INDIA
4.28.2	CAMFIL	INDIA
4.28.3	CARYAIRE	INDIA
4.28.4	PURAFIL	INDIA
4.29	CENTRIFUGAL FAN (HVAC)	
A	INDIAN BIDDERS	
4.29.1	ADVANCE VENTILATION	INDIA
4.29.2	AIR CONTROL	INDIA
4.29.3	FLAKT (INDIA)	INDIA
4.29.4	KRIGER	INDIA
4.29.5	LTD	INDIA
4.29.6	NICOTRA	INDIA
4.29.7	S.K.SYSTEM	INDIA
4.30	EXHAUST AXIAL FAN (HVAC)	
A	INDIAN BIDDERS	
4.30.1	GE POWER INDIA LIMITED	INDIA
4.30.2	CROMPTON GREAVES LTD.	INDIA
4.30.3	PATEL AIRFLOW LTD	INDIA
4.31	SPLIT / WINDOW AC	
A	INDIAN BIDDERS	
4.31.1	BLUESTAR	INDIA
4.31.2	CARRIER	INDIA
4.31.3	DAIKIN	INDIA
4.31.4	HITACHI	INDIA
4.31.5	MITSHUBISHI	INDIA
4.31.6	PANASONIC	INDIA
4.31.7	SHARP	INDIA

VENDOR LIST		
Sr.No	VENDOR NAME	COUNTRY
4.31.8	VOLTAS	INDIA
4.31.9	LG	INDIA
4.31.10	LYODS	INDIA
4.31.11	VEDIOCON	INDIA
4.32	AIR FILTERS (HVAC)	
A	INDIAN BIDDERS	
4.32.1	AIRTECH	INDIA
4.32.2	ANFILCO	INDIA
4.32.3	DYNA	INDIA
4.32.4	TENACITY	INDIA
4.32.5	THERMADYNE	INDIA
4.33	3 WAY MODULATING VALVE FOR HVAC APPLICATION	
A	INDIAN BIDDERS	
4.33.1	DANFOSS	INDIA
4.33.2	HONEYWELL	INDIA
4.33.3	JHONSON CONTROLS	INDIA
4.33.4	PSL LTD	INDIA
4.33.5	SIEMENS	INDIA
4.34	FIRE DAMPER	
A	INDIAN BIDDERS	
4.34.1	CARYAIRE	INDIA
4.34.2	GEORGE RAO & CO	INDIA
4.34.3	RAVISTAR	INDIA
4.34.4	TSC INSTRUMENTS	INDIA
4.34.5	RUSKIN	INDIA
4.34.6	ACTION AIR	INDIA
4.35	VOLUME CONTROL DAMPERS / LOUVERS	
A	INDIAN BIDDERS	
4.35.1	ADVANCE VENTILATION	INDIA
4.35.2	AIR MASTER	INDIA
4.35.3	CARRYAIRE	INDIA
4.35.4	DYNACRAFT	INDIA
4.35.5	RAVISTAR	INDIA

VENDOR LIST		
Sr.No	VENDOR NAME	COUNTRY
4.35.6	S.K.SYSTEMS	INDIA
4.36	GRILL / DIFFUSER FOR AIR CONDITIONING SYSTEM	
A	INDIAN BIDDERS	
4.36.1	AIR MASTER	INDIA
4.36.2	CARRYAIRE	INDIA
4.36.3	DYNACRAFT	INDIA
4.36.4	RAVISTAR	INDIA
4.36.5	TITUS	INDIA
4.36.6	TROX	INDIA
4.36.7	METAL AIRE	INDIA
4.36.8	WATERLOO	INDIA
4.37	DAMPER ACTUATOR	
A	INDIAN BIDDERS	
4.37.1	BELIMO	INDIA
4.37.2	DANFOSS	INDIA
4.37.3	HONEYWELL	INDIA
4.37.4	SIEMENS	INDIA
4.38	MODULATING DAMPER ACTUATOR	
A	INDIAN BIDDERS	
4.38.1	HONEYWELL	INDIA
4.38.2	INDFOSS	INDIA
4.38.3	JHONSON CONTROLS	INDIA
4.38.4	PENN	INDIA
4.38.5	SIEMENS	INDIA
4.39	G.I. SHEETS (HVAC DUCTING)	
A	INDIAN BIDDERS	
4.39.1	JINDAL	INDIA
4.39.2	SAIL	INDIA
4.39.3	TATA	INDIA
4.40	REFRIGERATION SYSTEM - PROCESS	
A	INDIAN BIDDERS	
4.40.1	ALFA LAVAL INDIA LTD.	INDIA
4.40.2	KIRLOSKAR PNEUMATIC CO LTD- (PUNE)	INDIA

VENDOR LIST		
Sr.No	VENDOR NAME	COUNTRY
4.40.3	SYSTEMS & COMPONENTS (INDIA) PVT. LTD.	INDIA
4.40.4	TRANE	INDIA
4.40.5	VOLTAS LIMITED	INDIA
4.40.6	YORK INDIA LTD (A JOHNSON CONTROLS CO.)	INDIA
4.41	ELECTRONIC WEIGH SCALE	
A	INDIAN BIDDERS	
4.41.1	AVERY INDIA LTD	INDIA
4.41.2	BLUE STAR LTD	INDIA
4.41.3	HYDERABAD TULAMAN LTD	INDIA
4.41.4	IPA PVT LTD.	INDIA
4.41.5	PRECIA MOLEN INDIA PVT. LTD.	INDIA
4.42	PSA HYDROGEN PLANT	
A	INDIAN BIDDERS	
4.42.1	UOP INDIA PVT LTD	INDIA
4.42.2	UOP LLC	INDIA
4.43	STATIC MIXER	
A	INDIAN BIDDERS	
4.43.1	MIXRITE MIXING SYSTEMS	INDIA
4.43.2	RATHI MIXERS PVT LTD(FRM RLMPL)	INDIA
4.43.3	REMI PROCESS PLANT & MACHINERY LTD.	INDIA
4.43.4	STANDARD ENGINEERS	INDIA
4.43.5	SUDARSHAN CHEMICAL INDUSTRIES LTD (FORMERLY DIV. KNOWN AS RATHI VESSELS & SYSTEMS PVT LTD.)	INDIA
4.43.6	SULZER INDIA LIMITED	INDIA
4.43.7	SULZER BROTHERS LTD	INDIA
4.44	COALESCER - FILTER	
A	INDIAN BIDDERS	
4.44.1	GRAND PRIX ENGINEERING PVT LTD.	INDIA
4.44.2	LARSEN & TOUBRO LTD.	INDIA
4.44.3	MULTITEX FILTRATION ENGINEERS LTD.	INDIA
4.44.4	PALL INDIA PVT LTD	INDIA
4.44.5	PETROMAR ENGINEERED SOLN. P LTD	INDIA
4.44.6	PALL PHARMA LAB.	INDIA

VENDOR LIST		
Sr.No	VENDOR NAME	COUNTRY
4.45	FEED FLTR AUTO BACK WASH HYD.CRAKR DHDT	
A	INDIAN BIDDERS	
4.45.1	EATON INDUSTRIES PTE LIMITED	INDIA
4.45.2	PALL INDIA PVT LTD	INDIA
4.46	FILTER- ROTARY	
A	INDIAN BIDDERS	
4.46.1	EIMCO KCP LIMITED (THE)	INDIA
4.47	FILTER-VACUUM	
A	INDIAN BIDDERS	
4.48	QUICK OPENING CLOSURE(FILTER/SEPARATOR)	
A	INDIAN BIDDERS	
4.48.1	FLASH POINT EQUIPMENTS PVT. LTD.	INDIA
4.48.2	MULTITEX FILTRATION ENGINEERS LTD.	INDIA
4.48.3	PALL	INDIA
4.49	LIFTS (PASSENGER & GOODS)	
A	INDIAN BIDDERS	
4.49.1	AILMAK	INDIA
4.49.2	OTIS ELEVATOR COMPANY (I) LTD.	INDIA
4.49.3	SCHINDLER INDIA PVT LTD	INDIA
4.49.4	KONE ELEVATOR INDIA PVT LTD	INDIA
4.49.5	THYSSENKRUPP ELEVATOR (INDIA) PVT. LTD.	INDIA
4.50	DEMISTER-VANE TYPE	
A	INDIAN BIDDERS	
4.50.1	FINEPAC STRUCTURES PVT LTD	INDIA
4.50.2	GRANDPRIX ENGINEERING PVT LTD	INDIA
4.50.3	KEVIN ENTERPRISES PVT LTD	INDIA
4.50.4	KOCH CHEMICAL TECH. GROUP INDIA PVT LTD	INDIA
4.50.5	SULZER INDIA PVT LTD	INDIA
4.51	TOWER PACKING CARBON	
A	INDIAN BIDDERS	
1.51.1	BLAST CARBOBLOCKS PVT LTD	INDIA
1.51.2	CARBON PRODUCTS PVT LTD	INDIA
1.51.3	SUGUNA INTERNATIONAL	INDIA

VENDOR LIST		
Sr.No	VENDOR NAME	COUNTRY
4.52	TOWER PACKINGS;PVC&PP(NON-PROPRIETRY	
A	INDIAN BIDDERS	
4.52.1	HI-PACK MASS TRANSFER PRODUCTS	INDIA
4.52.2	KEVIN ENTERPISES PVT LTD	INDIA
4.52.3	MASS TRANSFER PRODUCT INDUSTRIES	INDIA
4.53	SPIRAL HEAT EXCHNAGER	
A	INDIAN BIDDERS	
4.53.1	TEMA INDIA	INDIA
4.53.2	ALFA LAVAL	INDIA
4.54	HASTOLLOY SOLID REACTORS	
A	INDIAN BIDDERS	
4.54.1	LARSEN AND TOUBRO	INDIA
4.54.2	ISGEC	INDIA
4.54.3	GODREJ AND BOYCE MFG CO LTD	INDIA
4.55	DUPLEX SOLID REACTORS	
A	INDIAN BIDDERS	
4.55.1	LARSEN AND TOUBRO	INDIA
4.55.2	ISGEC	INDIA
4.55.3	GODREJ AND BOYCE MFG CO LTD	INDIA
4.56	DEHYDRATION PACKAGE	
A	INDIAN BIDDERS	
4.56.1	URIEL	INDIA
4.56.2	KILBURN ENGINEERING LIMITED	INDIA
4.56.3	GAS PROCESSING EQUIPMENTS PVT. LTD.	INDIA
4.56.4	MOJJ ENGINEERING SYSTEMS LTD.	INDIA
4.56.5	PRAJ INDUSTRIES LTD.	INDIA
4.56.6	NARAN LALA PVT. LTD.	INDIA
4.57	BIOMASS SEPARATION PACKAGE	
A	INDIAN BIDDERS	
4.57.1	KILBURN ENGINEERING LIMITED	INDIA
4.57.2	PENNWALT INDIA LTD.	INDIA
4.57.3	ISGEC HEAVY ENGINEERING LTD.	INDIA
4.57.4	SPAN HYDROTECH PVT. LTD.	INDIA

VENDOR LIST		
Sr.No	VENDOR NAME	COUNTRY
4.58	FALLING FILM EVAPORATOR	
A	INDIAN BIDDERS	
4.58.1	SULZER INDIA PVT. LTD.	INDIA
4.58.2	SPRAY ENGINEERING DEVICES LTD.	INDIA
4.58.3	URIEL	INDIA
4.58.4	GRAND PRIX ENGINEERING PVT. LTD.	INDIA
4.58.5	MULTITEX FILTRATION ENGINEERS LIMITED	INDIA
4.59	INOCULATOR FEED GAS CONDITIONING PACKAGE	
A	INDIAN BIDDERS	
4.59.1	KILBURN ENGINEERING LIMITED	INDIA
1.1	NON STANDARD FORGINGS-CARBON STEEL	
A	INDIAN BIDDERS	
1.1.1	BAY FORGE (FORMERLY KNOWN - FOMAS INDIA)	INDIA
1.1.2	BHARAT FORGE LTD.	INDIA
1.1.3	BRITEX ENGINEERING WORKS	INDIA
1.1.4	CD ENGINEERING CO.	INDIA
1.1.5	CD INDUSTRIES	INDIA
1.1.6	CHW FORGE PVT LTD (FR. CHAUDHRY HAMMER)	INDIA
1.1.7	ECHJAY INDUSTRIES PVT LTD. (RAJKOT)	INDIA
1.1.8	EMPEE ENGINEERING CORPORATION	INDIA
1.1.9	GOOD LUCK ENGINEERING CO.	INDIA
1.1.10	HEAVY ENGINEERING CORPORATION LTD	INDIA
1.1.11	JAV FORGINGS (P) LTD	INDIA
1.1.12	KISAAN STEEL (P) LTD	INDIA
1.1.13	KUNJ FORGINGS PVT LTD	INDIA
1.1.14	L&T SPECIAL STEELS AND HEAVY FORGINGS	INDIA
1.1.15	LAL METAL FORGE LTD	INDIA
1.1.16	MACKEIL ISPAT & FORGING LTD	INDIA
1.1.17	METAL FORGINGS PVT LTD	INDIA
1.1.18	PALLAVI INDUSTRIES	INDIA
1.1.19	PARAMOUNT FORGE	INDIA
1.1.20	R D FORGE	INDIA
1.1.21	SANGHVI FORGINGS & ENGINEERING LTD	INDIA

VENDOR LIST		
Sr.No	VENDOR NAME	COUNTRY
1.1.22	SE FORGE LIMITED	INDIA
1.1.23	TRIVENI REFRACTORIES PVT LTD	INDIA
1.1.24	WONIL F&T CO. LTD	INDIA
1.2	NON STANDARD FORGINGS-ALLOY STEEL	
A	INDIAN BIDDERS	
1.2.1	BAY FORGE (FORMERLY KNOWN - FOMAS INDIA)	INDIA
1.2.2	BHARAT FORGE LTD.	INDIA
1.2.3	CD ENGINEERING CO.	INDIA
1.2.4	CHW FORGE PVT LTD (FR. CHAUDHRY HAMMER)	INDIA
1.2.5	ECHJAY INDUSTRIES PVT LTD. (RAJKOT)	INDIA
1.2.6	GOOD LUCK ENGINEERING CO.	INDIA
1.2.7	JAV FORGINGS (P) LTD	INDIA
1.2.8	KUNJ FORGINGS PVT LTD	INDIA
1.2.9	L&T SPECIAL STEELS AND HEAVY FORGINGS	INDIA
1.2.10	MACKEIL ISPAT & FORGING LTD	INDIA
1.2.11	METAL FORGINGS PVT LTD	INDIA
1.2.12	R D FORGE	INDIA
1.2.13	SANGHVI FORGINGS & ENGINEERING LTD	INDIA
1.2.14	SE FORGE LIMITED	INDIA
1.2.15	WONIL F&T CO. LTD	INDIA
1.3	NON STANDARD FORGINGS- STAINLESS STEEL	
A	INDIAN BIDDERS	
1.3.1	BAY FORGE (FORMERLY KNOWN - FOMAS INDIA)	INDIA
1.3.2	BHARAT FORGE LTD.	INDIA
1.3.3	BRITEX ENGINEERING WORKS	INDIA
1.3.4	CD ENGINEERING CO.	INDIA
1.3.5	CD INDUSTRIES	INDIA
1.3.6	CHW FORGE PVT LTD (FR. CHAUDHRY HAMMER)	INDIA
1.3.7	ECHJAY INDUSTRIES PVT LTD. (RAJKOT)	INDIA
1.3.8	EMPEE ENGINEERING CORPORATION	INDIA
1.3.9	GOOD LUCK ENGINEERING CO.	INDIA
1.3.10	JAV FORGINGS (P) LTD	INDIA
1.3.11	L&T SPECIAL STEELS AND HEAVY FORGINGS	INDIA

VENDOR LIST		
Sr.No	VENDOR NAME	COUNTRY
1.3.12	METAL FORGINGS PVT LTD	INDIA
1.3.13	PALLAVI INDUSTRIES	INDIA
1.3.14	PARAMOUNT FORGE	INDIA
1.3.15	R D FORGE	INDIA
1.3.16	SANGHVI FORGINGS & ENGINEERING LTD	INDIA
1.3.17	SE FORGE LIMITED	INDIA
1.3.18	WONIL F&T CO. LTD	INDIA
1.4	LINING (RUBBER)	
A	INDIAN BIDDERS	
1.4.1	ARUL RUBBER PVT LTD	INDIA
1.4.2	CORI ENGINEERS PVT LTD	INDIA
1.4.3	JASMINO POLYMERTech PVT.LTD.	INDIA
1.4.4	LATHIA RUBBER MFG CO	INDIA
1.4.5	LEBRACS RUBBER LININGS PVT LTD	INDIA
1.4.6	MIL INDUSTRIES LIMITED	INDIA
1.4.7	POLY RUBBER PRODUCTS	INDIA
1.4.8	SHRI RAM RUBTECH PVT LIMITED	INDIA
1.4.9	SRM EXOFLEX PVT. LTD.	INDIA
1.4.10	TEGA INDUSTRIES LTD	INDIA
1.5	LINING-FRP(TANKS & VESSELS)	
A	INDIAN BIDDERS	
1.5.1	CARBORUNDUM UNIVERSAL LTD-PRODORITE DIVN	INDIA
1.5.2	CHEMICAL PROCESS EQPTS. PVT. LTD.	INDIA
1.5.3	DOLF INDUSTRIES	INDIA
1.5.4	EPP COMPOSITE PVT LTD	INDIA
1.5.5	GANDHI & ASSOCIATES	INDIA
1.5.6	INDUSTRIAL SERVICES	INDIA
1.5.7	JASMINO POLYMERTech PVT.LTD.	INDIA
1.5.8	MUNDOZ CORPORATION	INDIA
1.5.9	POLY PLAST CHEMI-PLANT (I) LTD.	INDIA
1.5.10	RUJA CHEMICALS P. LTD.	INDIA
1.5.11	SUNRISE INDUSTRIES (INDIA) LTD	INDIA
1.6	PVDF/FRP EQUIPMENTS	

VENDOR LIST		
Sr.No	VENDOR NAME	COUNTRY
A	INDIAN BIDDERS	
1.6.1	CARBORUNDUM UNIVERSAL LTD-PRODORITE DIVN	INDIA
1.6.2	DOLF INDUSTRIES	INDIA
1.6.3	GANDHI & ASSOCIATES	INDIA
1.6.4	INDUSTRIAL SERVICES	INDIA
1.6.5	PRAVEEN REINFORCED PLASTICS PVT LTD	INDIA
1.6.6	RUJA CHEMICALS P. LTD.	INDIA
1.6.7	STRATEGIC ENGINEERING (P) LTD	INDIA
1.6.8	SUNRISE INDUSTRIES (INDIA) LTD	INDIA
1.7	ROCK WOOL INSULATION PRODUCTS	
A	INDIAN BIDDERS	
1.7.1	GOENKA ROCKWOOL (INDIA)PVT.LTD.	INDIA
1.7.2	JAMSHEDPUR MINERALWOOL MFG.CO. (P) LTD.	INDIA
1.7.3	LAPINUS ROCKWOOL PVT LTD	INDIA
1.7.4	LLOYD ROCK FIBRES LTD	INDIA
1.7.5	MINWOOL ROCK FIBRES LTD	INDIA
1.7.6	NGP INDUSTRIES LTD (UNIT- ROCKWOOL INDST)	INDIA
1.7.7	NGP INDUSTRIES LTD- (UNIT PUNJ STAR)	INDIA
1.7.8	POLYBOND INSULATION PVT LTD	INDIA
1.7.9	ROCKWOOL INDIA LTD	INDIA
1.7.10	SHREERAM EQUITECH PRIVATE LTD	INDIA
1.7.11	THERMOCARE ROCKWOOL (I)PVT.LTD.	INDIA
1.7.12	ROCKWOOL INDIA PVT. LTD.	INDIA
1.7.13	HI-TECH ROCK FIBER PVT LTD	INDIA
1.7.14	ROXUL ROCKWOOL INSULATION INIA PVT LTD	INDIA
1.8	GLASS WOOL INSULATION PRODUCTS	
A	INDIAN BIDDERS	
1.8.1	UP TWIGA FIBRE GLASS LTD	INDIA
1.9	CALCIUM SILICATE PRODUCTS	
A	INDIAN BIDDERS	
1.9.1	HYDERABAD INDUSTRIES LTD (DHARUHERA)	INDIA
1.9.2	NEWKEM INDUSTRIES	INDIA
1.10	PU FOAM & POLYISOCYANURATE FOAM	

VENDOR LIST		
Sr.No	VENDOR NAME	COUNTRY
A	INDIAN BIDDERS	
1.10.1	ISOLLOYD ENGG. TECHNOLOGIES LTD	INDIA
1.10.2	LLOYD INSULATIONS (INDIA) LTD	INDIA
1.10.3	MALANPUR ENTECH PVT LTD	INDIA
1.11	LINE PIPES (HELICAL SAW)	
A	INDIAN BIDDERS	
1.11.1	ESSAR STEEL INDIA LIMITED	INDIA
1.11.2	JINDAL SAW LTD	INDIA
1.11.3	MAN INDUSTRIES (INDIA) LTD	INDIA
1.11.4	RATNAMANI METALS AND TUBES LTD	INDIA
1.11.5	SUMITOMO METAL IND.LTD	INDIA
1.11.6	TOPWORTH PIPES & TUBES PVT. LTD.	INDIA
1.11.7	WELSPUN CORP LIMITED	INDIA
1.12	LINE PIPES ERW	
A	INDIAN BIDDERS	
1.12.1	BHANDARI FOILS & TUBES LTD	INDIA
1.12.2	HYUNDAI PIPE CO.LTD (ENQ.-HYUNDAI CORPN)	INDIA
1.12.3	JINDAL (INDIA) LIMITED	INDIA
1.12.4	JINDAL INDUSTRIES LTD	INDIA
1.12.5	MAHARASHTRA SEAMLESS LTD.	INDIA
1.12.6	MITTAL PRECISION HITECH STEELS	INDIA
1.12.7	RATNAMANI METALS AND TUBES LTD	INDIA
1.12.8	REMI EDELSTAHL TUBES LTD	INDIA
1.12.9	SHUBHALAXMI METALS & TUBES PVT LTD	INDIA
1.12.10	SUMITOMO METAL IND.LTD	INDIA
1.12.11	SURYA ROSHNI LTD	INDIA
1.12.12	WELSPUN CORP LIMITED	INDIA
1.12.13	BHUSHAN STEEL LIMITED	INDIA
1.13	LINE PIPES SEAMLESS	
A	INDIAN BIDDERS	
1.13.1	JINDAL SAW LTD (NASHIK WORKS)	INDIA
1.13.2	MAHARASHTRA SEAMLESS LTD.	INDIA
1.13.5	SUMITOMO METAL IND.LTD	INDIA

VENDOR LIST		
Sr.No	VENDOR NAME	COUNTRY
1.14	LONG RADIUS BENDS	
A	INDIAN BIDDERS	
1.14.1	JINDAL SAW LTD - SAMAGOGHA	INDIA
1.14.2	WELSPUN CORP LIMITED	INDIA
1.15	FLANGE- CARBON STEEL	
A	INDIAN BIDDERS	
1.15.1	ABASI ENGINEERING WORKS	INDIA
1.15.2	ANANDMAYEE FORGINGS PVT LTD	INDIA
1.15.3	BHARAT FORGE LTD.	INDIA
1.15.4	BRITEX ENGINEERING WORKS	INDIA
1.15.5	CD ENGINEERING CO.	INDIA
1.15.6	CD INDUSTRIES	INDIA
1.15.7	CHW FORGE PVT LTD (FR. CHAUDHRY HAMMER)	INDIA
1.15.8	ECHJAY INDUSTRIES PVT LTD. (RAJKOT)	INDIA
1.15.9	FIVEBROS FORGINGS PVT.LTD.	INDIA
1.15.10	GOOD LUCK ENGINEERING CO.	INDIA
1.15.11	HILTON METAL FORGING LIMITED	INDIA
1.15.12	JAI AUTO PVT LTD	INDIA
1.15.13	JAV FORGINGS (P) LTD	INDIA
1.15.14	KISAAN DIETECH PVT LTD	INDIA
1.15.15	KISAAN STEEL (P) LTD	INDIA
1.15.16	KUNJ FORGINGS PVT LTD	INDIA
1.15.17	LAL METAL FORGE LTD	INDIA
1.15.18	M.S. FITTINGS MFG. CO PVT LTD	INDIA
1.15.19	MAASS FLANGE INDIA PVT. LTD	INDIA
1.15.20	METAL FORGINGS PVT LTD	INDIA
1.15.21	P.K.TUBES & FITTINGS PVT.LTD.	INDIA
1.15.22	PARAMOUNT FORGE	INDIA
1.15.23	PRADEEP METAL LIMITED	INDIA
1.15.24	R D FORGE	INDIA
1.15.25	R.N.GUPTA & CO. LTD	INDIA
1.15.26	SANGHVI FORGINGS & ENGINEERING LTD	INDIA
1.15.27	STEEL AIIDS ENTERPRISE PVT LTD	INDIA

VENDOR LIST		
Sr.No	VENDOR NAME	COUNTRY
1.15.28	UTSAH ENGINEERING PVT LTD(A CD ENGG COMP	INDIA
1.15.29	TRIVENI REFRACTORIES PVT LTD	INDIA
1.15.30	MAXELL FORGE INDUSTRIES	INDIA
1.15.31	GAYATRI FORGE PVT LTD	INDIA
1.15.32	K S PIPE FITTINGS PRIVATE LIMITED	INDIA
1.16	FLANGE-ALLOY STEEL	
A	INDIAN BIDDERS	
1.16.1	ANANDMAYEE FORGINGS PVT LTD	INDIA
1.16.2	BHARAT FORGE LTD.	INDIA
1.16.3	CD ENGINEERING CO.	INDIA
1.16.4	CHW FORGE PVT LTD (FR. CHAUDHRY HAMMER)	INDIA
1.16.5	ECHJAY INDUSTRIES PVT LTD. (RAJKOT)	INDIA
1.16.6	FIVEBROS FORGINGS PVT.LTD.	INDIA
1.16.7	GOOD LUCK ENGINEERING CO.	INDIA
1.16.8	JAV FORGINGS (P) LTD	INDIA
1.16.9	KUNJ FORGINGS PVT LTD	INDIA
1.16.10	LAL METAL FORGE LTD	INDIA
1.16.11	M.S. FITTINGS MFG. CO PVT LTD	INDIA
1.16.12	METAL FORGINGS PVT LTD	INDIA
1.16.13	P.K.TUBES & FITTINGS PVT.LTD.	INDIA
1.16.14	PARAMOUNT FORGE	INDIA
1.16.15	R D FORGE	INDIA
1.16.16	SANGHVI FORGINGS & ENGINEERING LTD	INDIA
1.16.17	UTSAH ENGINEERING PVT LTD(A CD ENGG COMP	INDIA
1.16.18	MAXELL FORGE INDUSTRIES	INDIA
1.16.19	GAYATRI FORGE PVT LTD	INDIA
1.16.20	K S PIPE FITTINGS PRIVATE LIMITED	INDIA
1.17	FLANGE-STAINLESS STEEL	
A	INDIAN BIDDERS	
1.17.1	ANANDMAYEE FORGINGS PVT LTD	INDIA
1.17.2	BHARAT FORGE LTD.	INDIA
1.17.3	BRITEX ENGINEERING WORKS	INDIA
1.17.4	CD ENGINEERING CO.	INDIA

VENDOR LIST

Sr.No	VENDOR NAME	COUNTRY
1.17.5	CD INDUSTRIES	INDIA
1.17.6	CHANDAN STEEL LTD	INDIA
1.17.7	CHW FORGE PVT LTD (FR. CHAUDHRY HAMMER)	INDIA
1.17.8	ECHJAY INDUSTRIES PVT LTD. (RAJKOT)	INDIA
1.17.9	FIVEBROS FORGINGS PVT.LTD.	INDIA
1.17.10	GOOD LUCK ENGINEERING CO.	INDIA
1.17.11	HILTON METAL FORGING LIMITED	INDIA
1.17.12	JAV FORGINGS (P) LTD	INDIA
1.17.13	KUNJ FORGINGS PVT LTD	INDIA
1.17.14	LAL METAL FORGE LTD	INDIA
1.17.15	METAL FORGINGS PVT LTD	INDIA
1.17.16	P.K.TUBES & FITTINGS PVT.LTD.	INDIA
1.17.17	PARAMOUNT FORGE	INDIA
1.17.18	PRADEEP METAL LIMITED	INDIA
1.17.19	R D FORGE	INDIA
1.17.20	SANGHVI FORGINGS & ENGINEERING LTD	INDIA
1.17.21	UTSAH ENGINEERING PVT LTD(A CD ENGG COMP	INDIA
1.17.22	VIRAJ PROFILES LIMITED	INDIA
1.17.23	MAXELL FORGE INDUSTRIES	INDIA
1.17.24	GAYATRI FORGE PVT LTD	INDIA
1.17.25	MAASS FLANGE INDIA PVT. LTD	INDIA
1.17.26	K S PIPE FITTINGS PRIVATE LIMITED	INDIA
1.18	FLANGES-EXOTIC	
A	INDIAN BIDDERS	
1.18.1	BRITEX ENGINEERING WORKS	INDIA
1.19	COMPACT FLANGE	
1.20	CLAMP CONNECTOR	
1.21	SIGHT FLOW INDICATORS (SIGHT GLASSES)	
A	INDIAN BIDDERS	
1.21.1	BLISS ANAND PVT LTD	INDIA
1.21.2	LEVCON INSTRUMENTS PVT LTD	INDIA
1.21.3	PRATOLINA INSTRUMENTS PVT LTD	INDIA
1.21.4	SIGMA INSTRUMENTS CO	INDIA

VENDOR LIST		
Sr.No	VENDOR NAME	COUNTRY
1.21.5	AMARAMA ENGINEERS	INDIA
1.21.6	CHEMTROLS	INDIA
1.21.7	C-TRU PROCESS EQUIPMENTS	INDIA
1.21.8	TELFLO INSTRUMENT AND CONTROLS	INDIA
1.22	PIPE-CARBON STEEL TO INDIAN STANDARDS	
A	INDIAN BIDDERS	
1.22.1	A.S.T. PIPES PVT. LTD.(AST GROUP)	INDIA
1.22.2	ASIAN MILLS PVT LTD	INDIA
1.22.3	ASIAN TUBES LTD.	INDIA
1.22.4	ASRANI TUBES LIMITED	INDIA
1.22.5	DADU PIPES (P) LTD	INDIA
1.22.6	GOODLUCK STEEL TUBES LTD	INDIA
1.22.7	INDUS TUBE LIMITED	INDIA
1.22.8	JCO GAS PIPE LIMITED	INDIA
1.22.9	JINDAL (INDIA) LIMITED	INDIA
1.22.10	JINDAL INDUSTRIES LTD	INDIA
1.22.11	JINDAL PIPES LTD	INDIA
1.22.12	JINDAL SAW LTD (KOSI WORKS)	INDIA
1.22.13	LAL BABA SEAMLESS TUBES PVT. LTD	INDIA
1.22.14	LALIT PIPES & PIPES LTD	INDIA
1.22.15	MAHARASHTRA SEAMLESS LTD.	INDIA
1.22.16	MAN INDUSTRIES (INDIA) LTD	INDIA
1.22.17	MUKUT TANKS & VESSELS PVT ITD	INDIA
1.22.18	NEZONE TUBES LIMITED	INDIA
1.22.19	NORTH EASTERN TUBES LIMITED	INDIA
1.22.20	P S STEEL TUBES LTD	INDIA
1.22.21	PRATIBHA INDUSTRIES LIMITED	INDIA
1.22.22	RAMA STEEL TUBES LTD.	INDIA
1.22.23	RATNAMANI METALS AND TUBES LTD	INDIA
1.22.24	RAVINDRA TUBES LIMITED	INDIA
1.22.25	SAMSHI PIPE INDUSTRIES LIMITED	INDIA
1.22.26	SURYA ROSHNI LTD	INDIA
1.22.27	SWASTIK PIPES LTD	INDIA

VENDOR LIST		
Sr.No	VENDOR NAME	COUNTRY
1.22.28	UTKARSH TUBES & PIPES LTD (FORMLY. BMW)	INDIA
1.22.29	WELSPUN CORP LIMITED	INDIA
1.22.30	ZENITH BIRLA (INDIA) LIMITED	INDIA
1.22.31	ADVANCED STEEL TUBE LTD	INDIA
1.22.32	APL APOLLO TUBE LTD	INDIA
1.22.33	CAPACITY STRUCTURES LTD	INDIA
1.22.34	ESSAR STEEL INDIA LIMITED	INDIA
1.22.35	ZENITH FIRE SERVICE INDIA PVT LTD	INDIA
1.23	PIPES & TUBULARS TO A.P.I.STANDARDS	
A	INDIAN BIDDERS	
1.23.1	BHEL	INDIA
1.23.2	ESSAR STEEL INDIA LIMITED	INDIA
1.23.3	ISMT LTD	INDIA
1.23.4	JCO GAS PIPE LIMITED	INDIA
1.23.5	JINDAL PIPES LTD	INDIA
1.23.6	JINDAL SAW LTD (KOSI WORKS)	INDIA
1.23.7	JINDAL SAW LTD (NASHIK WORKS)	INDIA
1.23.8	LALIT PIPES & PIPES LTD	INDIA
1.23.9	MAHARASHTRA SEAMLESS LTD.	INDIA
1.23.10	MUKUT TANKS & VESSELS PVT LTD	INDIA
1.23.11	PRATIBHA INDUSTRIES LIMITED	INDIA
1.23.12	RATNAMANI METALS AND TUBES LTD	INDIA
1.23.13	SUMITOMO METAL IND.LTD	INDIA
1.23.14	SURYA ROSHNI LTD	INDIA
1.23.15	SWASTIK PIPES LTD	INDIA
1.23.16	WELSPUN CORP LIMITED	INDIA
1.23.17	YANGZHOU LONTRIN STEEL TUBE CO.,LTD.	INDIA
1.24	PIPE/TUBE-C S (SEAMLESS)TO ASTM STDS	
A	INDIAN BIDDERS	
1.24.1	ANAND SEAMLESS TUBES PVT. LTD	INDIA
1.24.2	AVON TUBETECH PVT LTD	INDIA
1.24.3	BHEL	INDIA
1.24.4	HEAVY METALS & TUBES LIMITED(MEHSANA)	INDIA

VENDOR LIST		
Sr.No	VENDOR NAME	COUNTRY
1.24.5	ISMT LTD-AHMEDNGR	INDIA
1.24.6	JINDAL SAW LTD (NASHIK WORKS)	INDIA
1.24.7	JR SEAMLESS PVT.LTD	INDIA
1.24.8	LAL BABA SEAMLESS TUBES PVT. LTD	INDIA
1.24.9	MAHALAXMI SEAMLESS LIMITED	INDIA
1.24.10	MAHARASHTRA SEAMLESS LTD.	INDIA
1.24.11	PATELS AIRFLOW LTD.	INDIA
1.24.12	RATNADEEP METAL TUBES LTD.	INDIA
1.24.13	SAINEST TUBES PVT LTD	INDIA
1.24.14	SN TUBES PRIVATE LIMITED	INDIA
1.24.15	SUMITOMO METAL IND.LTD	INDIA
1.24.16	YANGZHOU LONTRIN STEEL TUBE CO.,LTD.	INDIA
1.25	PIPE-CARBON STEEL(WELDED)TO ASTM STDS	
A	INDIAN BIDDERS	
1.25.1	ESSAR STEEL INDIA LIMITED	INDIA
1.25.2	JINDAL SAW LTD (KOSI WORKS)	INDIA
1.25.3	LALIT PIPES & PIPES LTD	INDIA
1.25.4	MAN INDUSTRIES (INDIA) LTD	INDIA
1.25.5	MUKUT TANKS & VESSELS PVT ITD	INDIA
1.25.6	RATNAMANI METALS AND TUBES LTD	INDIA
1.25.7	SUMITOMO METAL IND.LTD	INDIA
1.26	PIPE/TUBE- A S (SEAMLESS)TO ASTM STDS	
A	INDIAN BIDDERS	
1.26.1	ANAND SEAMLESS TUBES PVT. LTD	INDIA
1.26.2	BHEL	INDIA
1.26.3	HEAVY METALS & TUBES LIMITED(MEHSANA)	INDIA
1.26.4	ISMT LTD-AHMEDNGR	INDIA
1.26.5	ISMT LTD	INDIA
1.26.6	JINDAL SAW LTD (NASHIK WORKS)	INDIA
1.26.7	JR SEAMLESS PVT.LTD	INDIA
1.26.8	MAHALAXMI SEAMLESS LIMITED	INDIA
1.26.9	MAHARASHTRA SEAMLESS LTD.	INDIA
1.26.10	PATELS AIRFLOW LTD.	INDIA

VENDOR LIST		
Sr.No	VENDOR NAME	COUNTRY
1.26.11	RATNADEEP METAL TUBES LTD.	INDIA
1.26.12	SAINEST TUBES PVT LTD	INDIA
1.26.13	SUMITOMO METAL IND.LTD	INDIA
1.26.14	YANGZHOU LONTRIN STEEL TUBE CO.,LTD.	INDIA
1.27	PIPE/TUBE-SS(S.LESS & WELDED)TO ASTM STD	
A	INDIAN BIDDERS	
1.27.1	APEX TUBES PVT LTD	INDIA
1.27.2	HUADI STEEL GROUP CO. LTD.	INDIA
1.27.3	IBF S P A	INDIA
1.27.4	INOX TECH. SPA	INDIA
1.27.5	JIANGSU WUJIN STAINLESS STEEL PIPE GROUP	INDIA
1.27.6	JINDAL SAW LTD (NASHIK WORKS)	INDIA
1.27.7	KRYSTAL STEEL MFG.PVT.LTD.	INDIA
1.27.8	MAHALAXMI SEAMLESS LIMITED	INDIA
1.27.9	MAXIM TUBES COMPANY PVT LTD	INDIA
1.27.10	MBM TUBES PVT LTD	INDIA
1.27.11	PRODUCTOS TUBULARES S.A.U.	INDIA
1.27.12	RATNADEEP METAL TUBES LTD.	INDIA
1.27.13	RATNAMANI METALS AND TUBES LTD	INDIA
1.27.14	SALZGITTER MANNESMANN ST DEUTSCHLANDGMBH	INDIA
1.27.15	SANDVIK AB	INDIA
1.27.16	SANDVIK ASIA PVT. LIMITED (AHMEDABAD)	INDIA
1.27.17	SANDVIK MATERIALS TECHNOLOGY (CHINA),CO,	INDIA
1.27.18	SCHOELLER-BLECKMANN EDELSTAHLROHR	INDIA
1.27.19	SCODA TUBES LTD	INDIA
1.27.21	SEAH STEEL CORPORATION	INDIA
1.27.22	SHALCO INDUSTRIES PVT LTD.	INDIA
1.27.23	SHUBHLAXMI METALS AND TUBES PVT. LTD	INDIA
1.27.24	SOSTA GMBH	INDIA
1.27.25	STEAMLINE INDUSTRIES Ltd	INDIA
1.27.26	ARVIND PIPES & FITTINGS IND PVT LTD	INDIA
1.27.27	BHANDARI FOILS AND TUBES	INDIA
1.27.28	CHANDAN STEEL	INDIA

VENDOR LIST		
Sr.No	VENDOR NAME	COUNTRY
1.27.29	DIVINE TUBES	INDIA
1.27.30	HEAVY METALS AND TUBS LIMITED	INDIA
1.27.31	HELIOS TUBE ALLOYS PVT LTD	INDIA
1.27.32	SLS TUBES PVT LTD	INDIA
1.27.33	SUMITOMO METAL INDIA LTD	INDIA
1.27.34	SURAJ LIMITED	INDIA
1.27.35	TUBACEX PRAKASH INDIA PVT LTD	INDIA
1.27.36	TUBACEX TUBOS INOXIDABLE SAU	INDIA
1.28	PIPE/TUBE-S.LESS(DUPLEX/SUPER DUPLEX SS)	
A	INDIAN BIDDERS	
1.28.1	RATNADEEP METAL TUBES LTD.	INDIA
1.28.2	RATNAMANI METALS AND TUBES LTD	INDIA
1.28.3	SANDVIK ASIA PVT. LIMITED (AHMEDABAD)	INDIA
1.28.4	SANDVIK MATERIALS TECHNOLOGY (CHINA),CO,	INDIA
1.28.5	TUBACEX TUBOS INOXIDABLES SAU	INDIA
1.29	PIPE / FITTINGS -PTFE LINED	
A	INDIAN BIDDERS	
1.29.1	D.V.POLYMERS INDIA (P) LTD	INDIA
1.29.2	DIP-FLON ENGINEERING & CO.	INDIA
1.29.3	HORIZON POLYMER ENGG. LTD.	INDIA
1.29.4	MIL INDUSTRIES LIMITED	INDIA
1.29.5	PLASTRULON PROCESSORS LTD	INDIA
1.29.6	SUPER INDUSTRIAL LINING PVT LTD	INDIA
1.30	PIPES -SS WELDED TO A 358	
A	INDIAN BIDDERS	
1.30.1	OUTOKUMPU STAINLESS TUBULAR P.AB	INDIA
1.30.2	RATNAMANI METALS AND TUBES LTD	INDIA
1.30.3	SCORODITE STAINLESS (INDIA) PVT. LTD	INDIA
1.30.4	SUMITOMO METAL IND.LTD	INDIA
1.30.5	TUBACEX PRAKASH INDIA PVT. LTD.	INDIA
1.30.6	REMI EDELSTAHL TUBULARS LTD	INDIA
1.31	DUPLEX/SUPER DUPLEX SS WELDED PIPES	
1.32	PIPES- INDIAN STOCKIST	

VENDOR LIST		
Sr.No	VENDOR NAME	COUNTRY
A	INDIAN BIDDERS	
1.32.1	BHARAT ENTERPRISES	INDIA
1.32.2	EVERGREEN SEAMLESS PIPES & TUBES PVT. LT	INDIA
1.32.3	GREEN LINE PIPE AND FITTINGS	INDIA
1.32.4	HI TECH METAL AND TUBES	INDIA
1.32.5	INDUSTRIAL METAL CORPORATION	INDIA
1.32.6	KWALITY TUBES	INDIA
1.32.7	MOKSHI INDUSTRIES PVT. LTD	INDIA
1.32.8	MOTILAL LAXMICHAND SANGHVI	INDIA
1.32.9	N-PIPE SOLUTION INC	INDIA
1.32.10	PIPES AND FLOW PRODUCTS	INDIA
1.32.11	PK FORGE & FITTINGS INDUSTRIES	INDIA
1.32.12	RAJENDRA PIPING & FITTINGS	INDIA
1.32.13	SADAF TRADING COMPANY	INDIA
1.32.14	STAR METAL AND TUBES	INDIA
1.32.15	STATE PIPE & SUPPLY CO	INDIA
1.32.16	VENUS TRADING COMPANY	INDIA
1.32.17	VINAYAK PIPES & TUBES PVT LTD	INDIA
1.32.18	S SEVENTILAL & COMPANY	INDIA
1.32.19	SEVENTILAL & SONS PVT. LTTD	INDIA
1.32.20	MUKESH METAL INDUSTRIES	INDIA
1.32.21	CHAMPAK STEEL	INDIA
1.32.22	MAHALAXMI METAL CORPORATION	INDIA
1.33	PIPE-CLADDED	
1.34	PIPE-WELDED ALLOY STEEL	
A	INDIAN BIDDERS	
1.34.1	LALIT PIPES & PIPES LTD	INDIA
1.34.2	RATNAMANI METALS AND TUBES LTD	INDIA
1.35	PIPE-PVDF/FRP	
A	INDIAN BIDDERS	
1.35.1	GANDHI & ASSOCIATES	INDIA
1.35.2	PRAVEEN REINFORCED PLASTICS PVT LTD	INDIA
1.35.3	SUNRISE INDUSTRIES (INDIA) LTD	INDIA

VENDOR LIST		
Sr.No	VENDOR NAME	COUNTRY
1.36	PIPE-FRP	
A	INDIAN BIDDERS	
1.36.1	CARBON EVERFLOW LTD.	INDIA
1.36.2	CARBORUNDUM UNIVERSAL LTD-PRODORITE DIVN	INDIA
1.36.3	CHEMICAL PROCESS EQPTS. PVT. LTD.	INDIA
1.36.4	DOLF INDUSTRIES	INDIA
1.36.5	EPP COMPOSITE PVT LTD	INDIA
1.36.6	GANDHI & ASSOCIATES	INDIA
1.36.7	INDUSTRIAL SERVICES	INDIA
1.36.8	POLY PLAST CHEMI-PLANT (I) LTD.	INDIA
1.36.9	PRAVEEN REINFORCED PLASTICS PVT LTD	INDIA
1.36.10	RUJA CHEMICALS P. LTD.	INDIA
1.36.11	STRATEGIC ENGINEERING (P) LTD	INDIA
1.36.12	SUNRISE INDUSTRIES (INDIA) LTD	INDIA
1.37	PIPE-GRE	
A	INDIAN BIDDERS	
1.38	PIPE-TITANIUM (HS CODE - 8108)	
A	INDIAN BIDDERS	
1.39	PIPING SYSTEM-CLAD(SHOP FABRICATED)	
A	INDIAN BIDDERS	
1.39.1	BHEL	INDIA
1.39.2	CRYSTAL INDUSTRIAL SYNDICATE PVT LTD.	INDIA
1.39.3	GR ENGINEERNG PRIVATE LTD (TARAPORE)	INDIA
1.39.4	INDUS PROJECTS LIMITED	INDIA
1.39.5	ISGEC HEAVY ENGINEERING LTD	INDIA
1.39.6	LARSEN & TOUBRO LTD	INDIA
1.39.7	TECHNO PROCESS EQUIPMENTS (INDIA) PV LTD	INDIA
1.40	PRE-FABRICATED PIPING SPOOL	
A	INDIAN BIDDERS	
1.40.1	BHARAT HEAVY ELECTRICAL LTD.	INDIA
1.40.2	DEE DEVELOPMENT ENGINEERS LIMITED	INDIA
1.40.3	GUJRAT INFRAPIPES PVT. LIMITED	INDIA
1.40.4	LARSEN & TOUBRO LTD	INDIA

VENDOR LIST		
Sr.No	VENDOR NAME	COUNTRY
1.40.5	ISGEC HEAVY ENGINEERING LTD	INDIA
1.41	PIPING SYSTEM-GRE/GRP	
A	INDIAN BIDDERS	
1.41.1	EPP COMPOSITE PVT LTD	INDIA
1.42	TUBE-WELDED CARBON STEEL	
A	INDIAN BIDDERS	
1.42.1	SUMITOMO METAL IND.LTD	INDIA
1.43	TUBE-WELDED ALLOY STEEL	
A	INDIAN BIDDERS	
1.43.1	SUMITOMO METAL IND.LTD	INDIA
1.44	TUBE-TITANIUM (HS CODE - 8108)	
A	INDIAN BIDDERS	
1.44.1	SUMITOMO METAL IND.LTD	INDIA
1.45	TUBE COPPER AND ALLOYS	
A	INDIAN BIDDERS	
1.45.1	ACCENT METALS PVT.LTD.	INDIA
1.45.2	CUBEX TUBING PVT LTD	INDIA
1.45.3	INDUSTRIAL TUBES MANUFACTURERS PVT. LTD.	INDIA
1.45.4	MEHTA TUBES LIMITED	INDIA
1.45.5	METAL ALLOYS CORPORATION	INDIA
1.45.6	MULTIMETALS LIMITED	INDIA
1.46	PIPES & FITTINGS-FOREIGN AGENTS/STOCKIST/TRADERS	
A	INDIAN BIDDERS	
1.46.1	STAR METAL AND TUBES	INDIA
1.47	FITTING BLOCK FORGED-CARBON STEEL	
A	INDIAN BIDDERS	
1.47.1	CSA FITTINGS	INDIA
1.47.2	EBY FASTENERS	INDIA
1.47.3	FLASH FORGE PVT LTD	INDIA
1.47.4	HILTON METAL FORGING LIMITED	INDIA
1.47.5	LEADER VALVES LTD	INDIA
1.47.6	M.S. FITTINGS MFG. CO PVT LTD	INDIA
1.47.7	P.K.TUBES & FITTINGS PVT.LTD.	INDIA

VENDOR LIST		
Sr.No	VENDOR NAME	COUNTRY
1.47.8	TUBE BEND (CALCUTTA) PVT LTD	INDIA
1.47.9	U I PIPE FITTINGS PVT LTD	INDIA
1.47.10	VIJAY CYCLE & STEEL INDUSTRIES	INDIA
1.47.11	SIDHARTHA & GAUTAM ENGINEERS	INDIA
1.47.12	TOPAZ PIPING INDUSTRIES	INDIA
1.47.13	VAIBHAV FITTING INDIA PVT LTD	INDIA
1.47.14	MAXELL FORGE INDUSTRIES	INDIA
1.47.15	GAYATRI FORGE PVT LTD	INDIA
1.47.16	K S PIPE FITTINGS PRIVATE LIMITED	INDIA
1.48	FITTING BLOCK FORGED-ALLOY STEEL	
A	INDIAN BIDDERS	
1.48.1	CSA FITTINGS	INDIA
1.48.2	EBY FASTENERS	INDIA
1.48.3	FLASH FORGE PVT LTD	INDIA
1.48.4	LEADER VALVES LTD	INDIA
1.48.5	M.S. FITTINGS MFG. CO PVT LTD	INDIA
1.48.6	SIDHARTHA & GAUTAM ENGINEERS	INDIA
1.48.7	TOPAZ PIPING INDUSTRIES	INDIA
1.48.8	VAIBHAV FITTING INDIA PVT LTD	INDIA
1.48.9	MAXELL FORGE INDUSTRIES	INDIA
1.48.10	GAYATRI FORGE PVT LTD	INDIA
1.48.11	K S PIPE FITTINGS PRIVATE LIMITED	INDIA
1.49	FITTING BLOCK FORGED-STAINLESS STEEL	
A	INDIAN BIDDERS	
1.49.1	CSA FITTINGS	INDIA
1.49.2	EBY FASTENERS	INDIA
1.49.3	FLASH FORGE PVT LTD	INDIA
1.49.4	HILTON METAL FORGING LIMITED	INDIA
1.49.5	LEADER VALVES LTD	INDIA
1.49.6	M.S. FITTINGS MFG. CO PVT LTD	INDIA
1.49.7	VIJAY CYCLE & STEEL INDUSTRIES	INDIA
1.49.8	SIDHARTHA & GAUTAM ENGINEERS	INDIA
1.49.9	TOPAZ PIPING INDUSTRIES	INDIA

VENDOR LIST		
Sr.No	VENDOR NAME	COUNTRY
1.49.10	VAIBHAV FITTING INDIA PVT LTD	INDIA
1.49.11	MAXELL FORGE INDUSTRIES	INDIA
1.49.12	GAYATRI FORGE PVT LTD	INDIA
1.49.13	K S PIPE FITTINGS PRIVATE LIMITED	INDIA
1.50	WELDOLETS/SOCKOLETS/ELBOWLET	
A	INDIAN BIDDERS	
1.50.1	CSA FITTINGS	INDIA
1.50.2	EBY FASTENERS	INDIA
1.50.3	FLASH FORGE PVT LTD	INDIA
1.50.4	M.S. FITTINGS MFG. CO PVT LTD	INDIA
1.50.5	SIDHARTHA & GAUTAM ENGINEERS	INDIA
1.50.6	TOPAZ PIPING INDUSTRIES	INDIA
1.50.7	TUBE TURN INDIA PVT LTD	INDIA
1.50.8	CD ENGG CO	INDIA
1.50.9	SAWAN ENGINEERS PVT LTD	INDIA
1.50.10	P.K.TUBES & FITTINGS PVT.LTD.	INDIA
1.50.11	VAIBHAV FITTING INDIA PVT LTD	INDIA
1.51	FITTINGS BLOCK FORGED-EXOTIC MATLS. (HS CODE - 8108)	
A	INDIAN BIDDERS	
1.51.1	SAWAN ENGINEERS PVT LTD	INDIA
1.51.2	ALLIED INTERNATIONAL	INDIA
1.52	FITTINGS FROM SEAMLESS PIPE-CARBON STEEL	
A	INDIAN BIDDERS	
1.52.1	ALLIED INTERNATIONAL S.R.L.	INDIA
1.52.2	CSA FITTINGS	INDIA
1.52.3	DEE DEVELOPMENT ENGINEERS LIMITED	INDIA
1.52.4	FITTECH INDUSTRIES PVT LTD	INDIA
1.52.5	GAYATRI FORGE PVT LTD	INDIA
1.52.6	GUJARAT INFRAPIPES PVT. LIMITED	INDIA
1.52.7	INTERTECH FITTINGS INDIA PVT LTD	INDIA
1.52.8	K S PIPE FITTINGS PRIVATE LIMITED	INDIA
1.52.9	K.S.PIPE FITTINGS (P) LTD	INDIA
1.52.10	M.S. FITTINGS MFG. CO PVT LTD	INDIA

VENDOR LIST		
Sr.No	VENDOR NAME	COUNTRY
1.52.11	MAXELL FORGE INDUSTRIES	INDIA
1.52.12	P.K.TUBES & FITTINGS PVT.LTD.	INDIA
1.52.13	PARAS ENGINEERING WORKS (MUMBAI) PVT LTD	INDIA
1.52.14	PATTECH FITWELL TUBE COMPONENTS	INDIA
1.52.15	PETRO CHEM INDUSTRIES	INDIA
1.52.16	SAWAN ENGINEERS PVT LTD	INDIA
1.52.17	SIDHARTH & GAUTAM ENGINEERS	INDIA
1.52.18	TEEKAY TUBES PVT LTD	INDIA
1.52.19	TOPAZ PIPING INDUSTRIES	INDIA
1.52.20	TUBE BEND (CALCUTTA) PVT LTD	INDIA
1.52.21	TUBE INNOVATIVE (INDIA)	INDIA
1.52.22	TUBES INDIA	INDIA
1.52.23	TUBE TURN (INDIA) PVT LTD	INDIA
1.52.24	U I PIPE FITTINGS PVT LTD	INDIA
1.53	FITTINGS FROM SEAMLESS PIPE- ALLOY STEEL	
A	INDIAN BIDDERS	
1.53.1	ALLIED INTERNATIONAL S.R.L.	INDIA
1.53.2	CSA FITTINGS	INDIA
1.53.3	DEE DEVELOPMENT ENGINEERS LIMITED	INDIA
1.53.4	FITTECH INDUSTRIES PVT LTD	INDIA
1.53.5	GUJARAT INFRAPIPES PVT. LIMITED (The vendor is on IOCL Holiday list Upto 27.06.2021)	INDIA
1.53.6	INTERTECH FITTINGS INDIA PVT LTD	INDIA
1.53.7	P.K.TUBES & FITTINGS PVT.LTD.	INDIA
1.53.8	PARAS ENGINEERING WORKS (MUMBAI) PVT LTD	INDIA
1.53.9	SAWAN ENGINEERS PVT LTD	INDIA
1.53.10	TEEKAY TUBES PVT LTD	INDIA
1.53.11	TOPAZ PIPING INDUSTRIES	INDIA
1.53.12	SIDHARTH & GAUTAM ENGINEERS	INDIA
1.53.13	MAXELL FORGE INDUSTRIES	INDIA
1.53.14	GAYATRI FORGE PVT LTD	INDIA
1.53.15	K S PIPE FITTINGS PRIVATE LIMITED	INDIA
1.53.16	TUBE INNOVATIVE (INDIA)	INDIA
1.53.17	TUBES INDIA	INDIA

VENDOR LIST		
Sr.No	VENDOR NAME	COUNTRY
1.53.18	TUBE TURN (INDIA) PVT LTD	INDIA
1.54	FITTINGS FROM SEAMLESS PIPE- S.S.	
A	INDIAN BIDDERS	
1.54.1	ALLIED INTERNATIONAL S.R.L.	INDIA
1.54.2	CSA FITTINGS	INDIA
1.54.3	DEE DEVELOPMENT ENGINEERS LIMITED	INDIA
1.54.4	FITTECH INDUSTRIES PVT LTD	INDIA
1.54.5	GUJARAT INFRAPIPES PVT. LIMITED (The vendor is on IOCL Holiday list Upto 27.06.2021)	INDIA
1.54.6	INTERTECH FITTINGS INDIA PVT LTD	INDIA
1.54.7	K.S.PIPE FITTINGS (P) LTD	INDIA
1.54.8	M.S. FITTINGS MFG. CO PVT LTD	INDIA
1.54.9	P.K.TUBES & FITTINGS PVT.LTD.	INDIA
1.54.10	PARAS ENGINEERING WORKS (MUMBAI) PVT LTD	INDIA
1.54.11	PETRO CHEM INDUSTRIES	INDIA
1.54.12	SAWAN ENGINEERS PVT LTD	INDIA
1.54.13	TEEKAY TUBES PVT LTD	INDIA
1.54.14	TOPAZ PIPING INDUSTRIES	INDIA
1.54.15	SIDHARTH & GAUTAM ENGINEERS	INDIA
1.54.16	MAXELL FORGE INDUSTRIES	INDIA
1.54.17	GAYATRI FORGE PVT LTD	INDIA
1.54.18	K S PIPE FITTINGS PRIVATE LIMITED	INDIA
1.54.19	TUBE INNOVATIVE (INDIA)	INDIA
1.54.20	TUBES INDIA	INDIA
1.54.21	TUBE TURN (INDIA) PVT LTD	INDIA
1.55	FITTINGS FROM S/LESS PIPES-EXOTIC MATLS (HS CODE - 8108)	
A	INDIAN BIDDERS	
1.55.1	ALLIED INTERNATIONAL S.R.L.	INDIA
1.55.2	SAWAN ENGINEERS PVT LTD	INDIA
1.55.3	SIDHARTH & GAUTAM ENGINEERS	INDIA
1.55.4	TOPAZ PIPING INDUSTRIES	INDIA
1.56	FIITINGS CROSS-FROM SEAMLESS PIPES	
A	INDIAN BIDDERS	
1.56.1	GUJRAT INFRAPIPES PVT. LIMITED	INDIA

VENDOR LIST		
Sr.No	VENDOR NAME	COUNTRY
1.56.2	M.S. FITTINGS MFG. CO PVT LTD	INDIA
1.57	FITTING-GRE	
1.58	FITTINGS TO IS-1239	
A	INDIAN BIDDERS	
1.58.1	CSA FITTINGS	INDIA
1.58.2	M.S. FITTINGS MFG. CO PVT LTD	INDIA
1.58.3	NAVKAR PIPE FITTINGS & FORGINGS PVT LTD	INDIA
1.58.4	VIJAY CYCLE & STEEL INDUSTRIES	INDIA
1.58.5	PARAS ENGINEERING WORKS (MUMBAI) PVT LTD	INDIA
1.58.6	TUBE INNOVATIVE (INDIA)	INDIA
1.58.7	TUBES INDIA	INDIA
1.58.8	TUBE TURN (INDIA) PVT LTD	INDIA
1.59	FITTINGS FABRICATED FROM PLATE - C.S.	
A	INDIAN BIDDERS	
1.59.1	ALLIED INTERNATIONAL S.R.L.	INDIA
1.59.2	DEE DEVELOPMENT ENGINEERS LIMITED	INDIA
1.59.3	GUJARAT INFRAPIPES PVT. LIMITED	INDIA
1.59.4	NAVKAR PIPE FITTINGS & FORGINGS PVT LTD	INDIA
1.59.5	P.K.TUBES & FITTINGS PVT.LTD.	INDIA
1.59.6	PARAS ENGINEERING WORKS (MUMBAI) PVT LTD	INDIA
1.59.7	PETRO CHEM INDUSTRIES	INDIA
1.59.8	SAWAN ENGINEERS PVT LTD	INDIA
1.59.9	SIDHARTH & GAUTAM ENGINEERS	INDIA
1.59.10	TEEKAY TUBES PVT LTD	INDIA
1.59.11	TOPAZ PIPING INDUSTRIES	INDIA
1.59.12	TOPAZ PIPING INDUSTRIES	INDIA
1.59.13	TUBE BEND (CALCUTTA) PVT LTD	INDIA
1.59.14	TUBE INNOVATIVE (INDIA)	INDIA
1.59.15	TUBES INDIA	INDIA
1.59.16	TUBE TURN (INDIA) PVT LTD	INDIA
1.60	FITTINGS FABRICATED FROM PLATE - A.S.	
A	INDIAN BIDDERS	
1.60.1	ALLIED INTERNATIONAL S.R.L.	INDIA

VENDOR LIST		
Sr.No	VENDOR NAME	COUNTRY
1.60.2	DEE DEVELOPMENT ENGINEERS LIMITED	INDIA
1.60.3	GUJARAT INFRAPIPES PVT. LIMITED	INDIA
1.60.4	NAVKAR PIPE FITTINGS & FORGINGS PVT LTD	INDIA
1.60.5	P.K.TUBES & FITTINGS PVT.LTD.	INDIA
1.60.6	PARAS ENGINEERING WORKS (MUMBAI) PVT LTD	INDIA
1.60.7	SAWAN ENGINEERS PVT LTD	INDIA
1.60.8	TEEKAY TUBES PVT LTD	INDIA
1.60.9	SIDHARTH & GAUTAM ENGINEERS	INDIA
1.60.10	TOPAZ PIPING INDUSTRIES	INDIA
1.60.11	TUBE INNOVATIVE (INDIA)	INDIA
1.60.12	TUBES INDIA	INDIA
1.60.13	TUBE TURN (INDIA) PVT LTD	INDIA
1.61	FITTINGS FABRICATED FROM PLATE - S.S.	
A	INDIAN BIDDERS	
1.61.1	ALLIED INTERNATIONAL S.R.L.	INDIA
1.61.2	DEE DEVELOPMENT ENGINEERS LIMITED	INDIA
1.61.3	GUJARAT INFRAPIPES PVT. LIMITED	INDIA
1.61.4	NAVKAR PIPE FITTINGS & FORGINGS PVT LTD	INDIA
1.61.5	P.K.TUBES & FITTINGS PVT.LTD.	INDIA
1.61.6	PARAS ENGINEERING WORKS (MUMBAI) PVT LTD	INDIA
1.61.7	SAWAN ENGINEERS PVT LTD	INDIA
1.61.8	TEEKAY TUBES PVT LTD	INDIA
1.61.9	SIDHARTH & GAUTAM ENGINEERS	INDIA
1.61.10	TOPAZ PIPING INDUSTRIES	INDIA
1.61.11	TUBE INNOVATIVE (INDIA)	INDIA
1.61.12	TUBES INDIA	INDIA
1.61.13	TUBE TURN (INDIA) PVT LTD	INDIA
1.62	FITTINGS FAB. FROM PLATES-EXOTIC MATLS. (HA CODE - 8108)	
A	INDIAN BIDDERS	
1.62.1	ALLIED INTERNATIONAL S.R.L.	INDIA
1.62.2	SAWAN ENGINEERS PVT LTD	INDIA
1.63	FITTINGS PIPE CAP (C S)	
A	INDIAN BIDDERS	

VENDOR LIST		
Sr.No	VENDOR NAME	COUNTRY
1.63.1	ALLIED INTERNATIONAL S.R.L.	INDIA
1.63.2	CSA FITTINGS	INDIA
1.63.3	DEE DEVELOPMENT ENGINEERS LIMITED	INDIA
1.63.4	GUJARAT INFRAPIPES PVT. LIMITED	INDIA
1.63.5	K.S.PIPE FITTINGS (P) LTD	INDIA
1.63.6	M.S. FITTINGS MFG. CO PVT LTD	INDIA
1.63.7	NAVKAR PIPE FITTINGS & FORGINGS PVT LTD	INDIA
1.63.8	P.K.TUBES & FITTINGS PVT.LTD.	INDIA
1.63.9	PARAS ENGINEERING WORKS (MUMBAI) PVT LTD	INDIA
1.63.10	PATTECH FITWELL TUBE COMPONENTS	INDIA
1.63.11	PETRO CHEM INDUSTRIES	INDIA
1.63.12	SAWAN ENGINEERS PVT LTD	INDIA
1.63.13	TEEKAY TUBES PVT LTD	INDIA
1.63.14	TUBE BEND (CALCUTTA) PVT LTD	INDIA
1.63.15	SIDHARTH & GAUTAM ENGINEERS	INDIA
1.63.16	TOPAZ PIPING INDUSTRIES	INDIA
1.63.17	TUBE INNOVATIVE (INDIA)	INDIA
1.63.18	TUBES INDIA	INDIA
1.63.19	TUBE TURN (INDIA) PVT LTD	INDIA
1.64	FITTINGS PIPE CAP (A S)	
A	INDIAN BIDDERS	
1.64.1	ALLIED INTERNATIONAL S.R.L.	INDIA
1.64.2	CSA FITTINGS	INDIA
1.64.3	DEE DEVELOPMENT ENGINEERS LIMITED	INDIA
1.64.4	GUJARAT INFRAPIPES PVT. LIMITED	INDIA
1.64.5	NAVKAR PIPE FITTINGS & FORGINGS PVT LTD	INDIA
1.64.6	P.K.TUBES & FITTINGS PVT.LTD.	INDIA
1.64.7	PARAS ENGINEERING WORKS (MUMBAI) PVT LTD	INDIA
1.64.8	SAWAN ENGINEERS PVT LTD	INDIA
1.64.9	TEEKAY TUBES PVT LTD	INDIA
1.64.10	SIDHARTH & GAUTAM ENGINEERS	INDIA
1.64.11	TOPAZ PIPING INDUSTRIES	INDIA
1.64.12	TUBE INNOVATIVE (INDIA)	INDIA

VENDOR LIST		
Sr.No	VENDOR NAME	COUNTRY
1.64.13	TUBES INDIA	INDIA
1.64.14	TUBE TURN (INDIA) PVT LTD	INDIA
1.65	FITTINGS PIPE CAP (S S)	
A	INDIAN BIDDERS	
1.65.1	ALLIED INTERNATIONAL S.R.L.	INDIA
1.65.2	CSA FITTINGS	INDIA
1.65.3	DEE DEVELOPMENT ENGINEERS LIMITED	INDIA
1.65.4	GUJARAT INFRAPIPES PVT. LIMITED	INDIA
1.65.5	K.S.PIPE FITTINGS (P) LTD	INDIA
1.65.6	NAVKAR PIPE FITTINGS & FORGINGS PVT LTD	INDIA
1.65.7	P.K.TUBES & FITTINGS PVT.LTD.	INDIA
1.65.8	PARAS ENGINEERING WORKS (MUMBAI) PVT LTD	INDIA
1.65.9	PETRO CHEM INDUSTRIES	INDIA
1.65.10	SAWAN ENGINEERS PVT LTD	INDIA
1.65.11	TEEKAY TUBES PVT LTD	INDIA
1.65.12	SIDHARTH & GAUTAM ENGINEERS	INDIA
1.65.13	TOPAZ PIPING INDUSTRIES	INDIA
1.65.14	TUBE INNOVATIVE (INDIA)	INDIA
1.65.15	TUBES INDIA	INDIA
1.65.16	TUBE TURN (INDIA) PVT LTD	INDIA
1.66	FITTINGS PIPE CAP (EXOTIC) (HS CODE - 8108)	
1.67	GASKET (IMPORTED)	
1.68	GASKET NON-ASBESTOS	
A	INDIAN BIDDERS	
1.68.1	CHAMPION JOINTINGS PVT LTD.	INDIA
1.68.2	DAVE ENGINEERS PVT.LTD	INDIA
1.68.3	GOODRICH GASKET PVT LTD	INDIA
1.68.4	IGP ENGINEERS PVT. LIMITED	INDIA
1.68.5	JAMES WALKER INMARCO INDUSTREIS PVT. LTD	INDIA
1.68.6	MADRAS INDUSTRIAL PRODUCTS	INDIA
1.68.7	NEOSEAL ENGINEERING PRIVATE LIMITED	INDIA
1.68.8	SEALANT AND GASKET INDIA PVT LTD	INDIA
1.68.9	STARFLEX SEALING INDIA PVT LTD	INDIA

VENDOR LIST		
Sr.No	VENDOR NAME	COUNTRY
1.68.10	UNI KLINGER LTD	INDIA
1.69	GASKET METALLIC & SOFT IRON	
A	INDIAN BIDDERS	
1.69.1	GOODRICH GASKET PVT LTD	INDIA
1.69.2	IGP ENGINEERS PVT. LIMITED	INDIA
1.69.3	MADRAS INDUSTRIAL PRODUCTS	INDIA
1.69.4	MICRO PRECISION PRODUCTS PVT LTD	INDIA
1.69.5	STARFLEX SEALING INDIA PVT LTD	INDIA
1.69.6	TEADIT PACKING AND GASKETS PVT LTD	INDIA
1.70	GASKET METAL JACKETED	
A	INDIAN BIDDERS	
1.70.1	DAVE ENGINEERS PVT.LTD	INDIA
1.70.2	GOODRICH GASKET PVT LTD	INDIA
1.70.3	IGP ENGINEERS PVT. LIMITED	INDIA
1.70.4	MADRAS INDUSTRIAL PRODUCTS	INDIA
1.70.5	STARFLEX SEALING INDIA PVT LTD	INDIA
1.70.6	TEEKAY FLOWFLEX PVT. LTD.	INDIA
1.70.7	UNI KLINGER LTD	INDIA
1.71	GASKET SPIRAL WOUND	
A	INDIAN BIDDERS	
1.71.1	BOMBAY CHEMICAL EQUIPMENTS	INDIA
1.71.2	CHAMPION JOINTINGS PVT LTD.	INDIA
1.71.3	DAVE ENGINEERS PVT.LTD	INDIA
1.71.4	GOODRICH GASKET PVT LTD	INDIA
1.71.5	IGP ENGINEERS PVT. LIMITED	INDIA
1.71.6	JAMES WALKER INMARCO INDUSTREIS PVT. LTD	INDIA
1.71.7	MADRAS INDUSTRIAL PRODUCTS	INDIA
1.71.8	NEOSEAL ENGINEERING PRIVATE LIMITED	INDIA
1.71.9	STARFLEX SEALING INDIA PVT LTD	INDIA
1.71.10	TEADIT PACKING AND GASKETS PVT LTD	INDIA
1.71.11	TEEKAY FLOWFLEX PVT. LTD.	INDIA
1.71.12	UNI KLINGER LTD	INDIA
1.72	HOSE- RUBBER (STEAM/GAS/AIR/WATER/CHEM.)	

VENDOR LIST		
Sr.No	VENDOR NAME	COUNTRY
A	INDIAN BIDDERS	
1.72.1	DEWAS HYDROQUIP PVT LTD	INDIA
1.72.2	GAYTRI INDUSTRIAL CORPORATION	INDIA
1.72.3	HELIFLEX HYDRAULICS & ENGG.CO.	INDIA
1.72.4	INSAP ENGINEERS PVT. LTD	INDIA
1.72.5	PIX TRANSMISSIONS LIMITED	INDIA
1.72.6	RM APPLIED ENGINEERS	INDIA
1.72.7	SRIDHAR ENGG. & RUBER PRODUCTS PVT LTD.	INDIA
1.72.8	SWAGELOK CO.	INDIA
1.72.9	RIYAL INDIA CORP	INDIA
1.73	HOSE METALLIC FLEXIBLE SS	
A	INDIAN BIDDERS	
1.73.1	BENGAL INDUSTRIES PVT LTD	INDIA
1.73.2	DEWAS HYDROQUIP PVT LTD	INDIA
1.73.3	GAYTRI INDUSTRIAL CORPORATION	INDIA
1.73.4	HELIFLEX HYDRAULICS & ENGG.CO.	INDIA
1.73.5	INDIA FLEX INDUSTRIES PVT.LTD.	INDIA
1.73.6	INSAP ENGINEERS PVT. LTD	INDIA
1.73.7	RM APPLIED ENGINEERS	INDIA
1.73.8	SENIOR INDIA PRIVATE LIMITED	INDIA
1.73.9	SWAGELOK CO.	INDIA
1.73.10	INSAP FLEXIBLE AND ENGINEERS PVT LTD	INDIA
1.74	FASTENERS	
A	INDIAN BIDDERS	
1.74.1	AEP COMPANY	INDIA
1.74.2	DEEPAK FASTENERS LIMITED (DORAHA UNIT)	INDIA
1.74.3	FASTENERS & ALLIED PRODUCTS PVT LTD.	INDIA
1.74.4	FIX FIT FASTENERS MFG. PVT.LTD.	INDIA
1.74.5	HARDWIN FASTENERS PVT LTD.	INDIA
1.74.6	HEM INDUSTRIES	INDIA
1.74.7	INDUSTRIAL ENGINEERING CORP.	INDIA
1.74.8	KUNDAN INDUSTRIES LTD.	INDIA
1.74.9	LAKSHMI PRECISION SCREWS LTD	INDIA

VENDOR LIST		
Sr.No	VENDOR NAME	COUNTRY
1.74.10	MEGA ENGINEERING PVT. LTD.	INDIA
1.74.11	MULTI FASTENERS PVT LTD	INDIA
1.74.12	NITIN FASTNERS PVT LTD	INDIA
1.74.13	PANKAJ INTERNATIONAL	INDIA
1.74.14	PIONEER NUTS & BOLTS PVT LTD	INDIA
1.74.15	PRECISION AUTO ENGINEERS	INDIA
1.74.16	PRECISION ENGG. INDUSTRIES	INDIA
1.74.17	PRESIDENT ENGINEERING WORKS	INDIA
1.74.18	PROCYON TCHNOLOGY	INDIA
1.74.19	SAVETA ENGINEERING CO.PVT.LTD.	INDIA
1.74.20	SOUVENIR INTERNATIONAL	INDIA
1.74.21	SYNDICATE ENGINEERING INDUSTRIES	INDIA
1.74.22	UDEHRA FASTNERS LTD	INDIA
1.74.23	UDEHRA MECHANICAL WORKS	INDIA
1.75	FASTENERS:HIGH TEMPERATURE TO A 453	
A	INDIAN BIDDERS	
1.75.1	FASTENERS & ALLIED PRODUCTS PVT LTD.	INDIA
1.75.2	PRESIDENT ENGINEERING WORKS	INDIA
1.75.3	SYNDICATE ENGINEERING INDUSTRIES	INDIA
1.76	EXPANSION JOINTS (RUBBER)	
A	INDIAN BIDDERS	
1.76.1	CORI ENGINEERS PVT LTD	INDIA
1.76.2	MIL INDUSTRIES LIMITED	INDIA
1.76.3	RM APPLIED ENGINEERS	INDIA
1.76.4	SRM EXOFLEX PVT. LTD.	INDIA
1.76.5	FLEXOCON ENGINEERS PVT LTD	INDIA
1.76.6	RRD DECORS PVT LTD	INDIA
1.77	SPRING SUPPORTS	
A	INDIAN BIDDERS	
1.77.1	AAA SUPPORTS PVT. LTD.,VADODARA	INDIA
1.77.2	ACME PROCESS SYSTEMS PVT LTD.	INDIA
1.77.3	PIPE HANGERS & SUPPORTS PVT LTD	INDIA
1.77.4	PIPE SUPPORTS CO	INDIA

VENDOR LIST		
Sr.No	VENDOR NAME	COUNTRY
1.77.5	PIPING & ENERGY PRODUCTS (P) LTD	INDIA
1.77.6	PROCYON TECHNO INDUSTRY	INDIA
1.77.7	SARATHI ENGINEERING ENTERPRISES PVT LTD.	INDIA
1.77.8	SPRING SUPPORTS MFG CO	INDIA
1.77.9	TECHNO INDUSTRY	INDIA
1.77.10	TECHNO SPRINGS INDIA PVT LTD	INDIA
1.78	STRAINERS	
A	INDIAN BIDDERS	
1.79	STRAINERS (FAB/CAST/FORGED)	
A	INDIAN BIDDERS	
1.79.1	BOMBAY CHEMICAL EQUIPMENTS	INDIA
1.79.2	ESCO STEAMCON PVT. LTD.	INDIA
1.79.3	FORBES MARSHALL STEAM SYSTEMS PVT. LTD.	INDIA
1.79.4	GRAND PRIX ENGINEERING PVT LTD.	INDIA
1.79.5	GUJARAT OTOFILT	INDIA
1.79.6	LEADER VALVES LTD	INDIA
1.79.7	MULTITEX FILTRATION ENGINEERS LTD.	INDIA
1.79.8	PENNANT ENGINEERING PVT LTD	INDIA
1.79.9	SUNGOV ENGINEERING PVT LTD	INDIA
1.80	STEAM TRAPS-BUCKET/TH.DYN/TH.STAT/FLOAT	
A	INDIAN BIDDERS	
1.80.1	ARMSTRONG INTERNATIONAL PVT LTD.	INDIA
1.80.2	ESCO STEAMCON PVT. LTD.	INDIA
1.80.3	FORBES MARSHALL STEAM SYSTEMS PVT. LTD.	INDIA
1.80.4	GESTRA AG (FLOWSERVE GROUP)	INDIA
1.80.5	LEADER VALVES LTD	INDIA
1.80.6	PENNANT ENGINEERING PVT LTD	INDIA
1.80.7	UNI KLINGER LTD	INDIA
1.81	COMPACT STEAM TRAPING ASSY+SS/CR MANFOLD	
A	INDIAN BIDDERS	
1.81.1	ARMSTRONG INTERNATIONAL PVT LTD.	INDIA
1.81.2	FORBES MARSHALL STEAM SYSTEMS PVT. LTD.	INDIA
1.81.3	UNI KLINGER LTD	INDIA

VENDOR LIST		
Sr.No	VENDOR NAME	COUNTRY
1.82	STEAM TRAPS	
A	INDIAN BIDDERS	
1.82.1	ARMSTRONG INTERNATIONAL PVT LTD.	INDIA
1.82.2	SPX Flow Technology INDIA Pvt Ltd (Former PLENTY STEAM TRAPS, PLENTY LIMITED)	INDIA
1.82.3	YARWAY CORPORATION	INDIA
1.82.4	SPIRAX MARSHALL	INDIA
1.82.5	GUJARAT OTOFILT	INDIA
1.82.6	THERMAX C&H DIVISION - SERVICES SBU	INDIA
1.83	STEAM SUPPLY / COND. RECOVERY MANIFOLD	
A	INDIAN BIDDERS	
1.83.1	ARMSTRONG INTERNATIONAL PVT LTD.	INDIA
1.83.2	FORBES MARSHALL STEAM SYSTEMS PVT. LTD.	INDIA
1.83.3	UNI KLINGER LTD	INDIA
1.84	VALVE GATE (THRU CONDUIT) (AP16D)	
A	INDIAN BIDDERS	
1.84.1	PENTAIR VALVES & CONTROLS INDIA PVT LTD	INDIA
1.85	VALVE GATE-(FOREIGN SUPPLIERS)	
A	INDIAN BIDDERS	
1.85.1	CESARE BONNETTI S.P.A.	INDIA
1.85.2	FLOWSERVE PTE(MFR. EDWARD)	INDIA
1.85.3	FRIULCO SPA	INDIA
1.85.4	PENTAIR VALVES	INDIA
1.85.5	VELAN INC	INDIA
1.86	VALVE GATE CAST	
A	INDIAN BIDDERS	
1.86.1	AMPO VALVES INDIA PVT LTD	INDIA
1.86.2	AMPO, S.COOP (POYAM VALVES)	INDIA
1.86.3	ASSOCIATED TOOLING	INDIA
1.86.4	AV VALVES LIMITED	INDIA
1.86.5	BHEL	INDIA
1.86.6	BOTELI VALVE GROUP CO.	INDIA
1.86.7	CESARE BONNETTI S.P.A.	INDIA

VENDOR LIST

Sr.No	VENDOR NAME	COUNTRY
1.86.8	CRI PUMPS PVT LTD (UNIT-VALVES)	INDIA
1.86.9	EXPERT ENGINEERING ENTERPRISES	INDIA
1.86.10	FLOWSERVE PTE(MFR. EDWARD)	INDIA
1.86.11	FLUIDLINE VALVES CO.PVT LTD	INDIA
1.86.12	FORWARD ALLOYS & CASTINGS	INDIA
1.86.13	FOURESS ENGG (I) LTD. (AURANGABAD)	INDIA
1.86.14	GM ENGINEERING PVT. LTD.	INDIA
1.86.15	HAWA ENGINEERS LTD	INDIA
1.86.16	INTERVALVE POONAWALLA LIMITED	INDIA
1.86.17	KSB PUMPS LTD (COIMBATTORE)	INDIA
1.86.18	L & T VALVES LIMITED	INDIA
1.86.19	LEADER VALVES LTD	INDIA
1.86.20	MH VALVES PVT LTD.	INDIA
1.86.21	MICON ENGINEERS (HUBLI) PVT LTD	INDIA
1.86.22	NILON VALVES PRIVATE LIMITED	INDIA
1.86.23	NITON VALVE INDUSTRIES PRIVATE LTD .	INDIA
1.86.24	NSSL PVT. LTD. (NECO SCHUBERT & SALZER)	INDIA
1.86.25	OSWAL INDUSTRIES LTD	INDIA
1.86.26	PANCHVATI VALVES & FLANGES PVT LTD	INDIA
1.86.27	PEE INDUSTRIAL VALVES PVT. LTD.	INDIA
1.86.28	SAKHI ENGINEERS PVT. LTD.	INDIA
1.86.29	SHALIMAR VALVES PVT LTD	INDIA
1.86.30	SHAYBURG VALVES PVT LTD	INDIA
1.86.31	STEEL STRONG VALVES INDIA PVT LTD	INDIA
1.86.32	T.S. PUMPS AND VALVES PVT.LTD	INDIA
1.86.33	VALTECH INDUSTRIES	INDIA
1.86.34	VELAN VALVES INDIA PVT LTD	INDIA
1.86.35	WEIR BDK VALVES-A UNIT OF WEIR INDIA PVT LTD	INDIA
1.86.36	XOMOX SANMAR LTD-PACIFIC VALVES DIVISION	INDIA
1.86.37	NUTECH CONTROLS	INDIA
1.87	VALVE GATE CRYOGENIC CAST	
A	INDIAN BIDDERS	
1.87.1	AMPO, S.COOP (POYAM VALVES)	INDIA

VENDOR LIST

Sr.No	VENDOR NAME	COUNTRY
1.87.2	BOTELI VALVE GROUP CO.	INDIA
1.87.3	L & T VALVES LIMITED	INDIA
1.87.4	LEADER VALVES LTD	INDIA
1.87.5	NITON VALVE INDUSTRIES PRIVATE LTD .	INDIA
1.87.6	NSSL PVT. LTD. (NECO SCHUBERT & SALZER)	INDIA
1.87.7	OSWAL INDUSTRIES LTD	INDIA
1.87.8	PANCHVATI VALVES & FLANGES PVT LTD	INDIA
1.87.9	STEEL STRONG VALVES INDIA PVT LTD	INDIA
1.87.10	VELAN INC	INDIA
1.87.11	WEIR BDK VALVES-A UNIT OF WEIR INDIA PVT	INDIA
1.88	VALVE GATE FORGED	
A	INDIAN BIDDERS	
1.88.1	ASSOCIATED TOOLINGS INDIA PVT LTD	INDIA
1.88.2	AUTOCAP INDUSTRIES	INDIA
1.88.3	AV VALVES LIMITED	INDIA
1.88.4	BHEL	INDIA
1.88.5	BOTELI VALVE GROUP CO.	INDIA
1.88.6	FLUIDLINE VALVES CO.PVT LTD	INDIA
1.88.7	GM ENGINEERING PVT. LTD.	INDIA
1.88.8	HAWA ENGINEERS LTD	INDIA
1.88.9	INTERVALVE POONAWALLA LIMITED	INDIA
1.88.10	KSB PUMPS LTD	INDIA
1.88.11	L & T VALVES LIMITED	INDIA
1.88.12	LEADER VALVES LTD	INDIA
1.88.13	MH VALVES PVT LTD.	INDIA
1.88.14	MICON ENGINEERS (HUBLI) PVT LTD	INDIA
1.88.15	NITON VALVE INDUSTRIES PRIVATE LTD.	INDIA
1.88.16	NSSL LTD	INDIA
1.88.17	OSWAL INDUSTRIES LTD	INDIA
1.88.18	PANCHVATI VALVES & FLANGES PVT LTD	INDIA
1.88.19	PEE INDUSTRIAL VALVES PVT. LTD.	INDIA
1.88.20	SHALIMAR VALVES PVT LTD	INDIA
1.88.21	SHAYBURG VALVES PVT LTD	INDIA

VENDOR LIST		
Sr.No	VENDOR NAME	COUNTRY
1.88.22	STEEL STRONG VALVES INDIA PVT LTD	INDIA
1.88.23	VEE TECH VALVES PRIVATE LIMITED	INDIA
1.88.24	VELAN VALVES INDIA PVT LTD	INDIA
1.88.25	WEIR BDK VALVES	INDIA
1.88.26	RASAI FLOW LINES PVT LTD.	INDIA
1.88.27	JMD ENGINEERING	INDIA
1.88.28	NUTECH CONTROLS	INDIA
1.89	VALVE GATE CRYOGENIC FORGED	
A	INDIAN BIDDERS	
1.89.1	ASSOCIATED TOOLINGS INDIA PVT LTD	INDIA
1.89.2	BOTELI VALVE GROUP CO.	INDIA
1.89.3	L & T VALVES LIMITED	INDIA
1.89.4	LEADER VALVES LTD	INDIA
1.89.5	NITON VALVE INDUSTRIES PRIVATE LTD .	INDIA
1.89.6	OSWAL INDUSTRIES LTD	INDIA
1.89.7	PANCHVATI VALVES & FLANGES PVT LTD	INDIA
1.89.8	STEEL STRONG VALVES INDIA PVT LTD	INDIA
1.89.9	VELAN VALVES INDIA PVT LTD	INDIA
1.89.10	WEIR BDK VALVES-A UNIT OF WEIR INDIA PVT LTD	INDIA
1.90	VALVE GATE GUNMETAL/BRASS/BRONZE	
A	INDIAN BIDDERS	
1.90.1	AV VALVES LIMITED	INDIA
1.90.2	H. SARKER & COMPANY	INDIA
1.90.3	LEADER VALVES LTD	INDIA
1.90.4	SANT VALVES PVT LTD	INDIA
1.90.5	ZOLOTO INDUSTRIES	INDIA
1.91	VALVE GATE (MOTOR OPERATED)	
A	INDIAN BIDDERS	
1.91.1	AMPO VALVES INDIA PVT LTD	INDIA
1.91.2	AMPO, S.COOP (POYAM VALVES)	INDIA
1.91.3	BHEL	INDIA
1.91.4	BOTELI VALVE GROUP CO.	INDIA
1.91.5	CESARE BONNETTI S.P.A.	INDIA

VENDOR LIST		
Sr.No	VENDOR NAME	COUNTRY
1.91.6	FLOWSERVE PTE(MFR. EDWARD)	INDIA
1.91.7	FLUIDLINE VALVES CO.PVT LTD	INDIA
1.91.8	GM ENGINEERING PVT. LTD.	INDIA
1.91.9	INTERVALVE POONAWALLA LIMITED	INDIA
1.91.10	KSB PUMPS LTD (COIMBATTORE)	INDIA
1.91.11	L & T VALVES LIMITED	INDIA
1.91.12	LEADER VALVES LTD	INDIA
1.91.13	NITON VALVE INDUSTRIES PRIVATE LTD .	INDIA
1.91.14	NSSL. LTD (NECO SCHUBERT & SALZER LTD)	INDIA
1.91.15	OSWAL INDUSTRIES LTD	INDIA
1.91.16	STEEL STRONG VALVES INDIA PVT LTD	INDIA
1.91.17	VELAN VALVES INDIA PVT LTD	INDIA
1.91.18	WEIR BDK VALVES-A UNIT OF WEIR INDIA PVT	INDIA
1.91.19	XOMOX SANMAR LTD-PACIFIC VALVES DIVISION	INDIA
1.92	VALVE KNIFE GATE	
A	INDIAN BIDDERS	
1.92.1	BRAY CONTROLS INDIA PVT. LTD.	INDIA
1.92.2	EXPERT ENGINEERING ENTERPRISES	INDIA
1.92.3	JASH ENGINEERING LTD.	INDIA
1.92.4	MICROFINISH VALVES PVT LIMITED	INDIA
1.92.5	VAAS INDUSTRIES PVT LTD	INDIA
1.93	VALVE GLOBE-(FOREIGN SUPPLIERS)	
A	INDIAN BIDDERS	
1.93.1	FLOWSERVE PTE(MFR. EDWARD)	INDIA
1.93.2	FRIULCO SPA	INDIA
1.93.3	PENTAIR VALVES	INDIA
1.93.4	VELAN INC	INDIA
1.94	VALVE GLOBE CAST	
A	INDIAN BIDDERS	
1.94.1	AMPO VALVES INDIA PVT LTD	INDIA
1.94.2	AMPO, S.COOP (POYAM VALVES)	INDIA
1.94.3	AV VALVES LIMITED	INDIA
1.94.4	BHEL	INDIA

VENDOR LIST		
Sr.No	VENDOR NAME	COUNTRY
1.94.5	BOTELI VALVE GROUP CO.	INDIA
1.94.6	CRI PUMPS PVT LTD (UNIT-VALVES)	INDIA
1.94.7	EXPERT ENGINEERING ENTERPRISES	INDIA
1.94.8	FLUIDLINE VALVES CO.PVT LTD	INDIA
1.94.9	FORWARD ALLOYS & CASTINGS	INDIA
1.94.10	FOURESS ENGG (I) LTD. (AURANGABAD)	INDIA
1.94.11	GM ENGINEERING PVT. LTD.	INDIA
1.94.12	HAWA ENGINEERS LTD	INDIA
1.94.13	INTERVALVE POONAWALLA LIMITED	INDIA
1.94.14	KSB PUMPS LTD (COIMBATTORE)	INDIA
1.94.15	L & T VALVES LIMITED	INDIA
1.94.16	LEADER VALVES LTD	INDIA
1.94.17	MH VALVES PVT LTD.	INDIA
1.94.18	MICON ENGINEERS (HUBLI) PVT LTD	INDIA
1.94.19	NILON VALVES PRIVATE LIMITED	INDIA
1.94.20	NITON VALVE INDUSTRIES PRIVATE LTD .	INDIA
1.94.21	NSSL PVT. LTD. (NECO SCHUBERT & SALZER)	INDIA
1.94.22	OSWAL INDUSTRIES LTD	INDIA
1.94.23	PANCHVATI VALVES & FLANGES PVT LTD	INDIA
1.94.24	PEE INDUSTRIAL VALVES PVT. LTD.	INDIA
1.94.25	SAKHI ENGINEERS PVT. LTD.	INDIA
1.94.26	SHALIMAR VALVES PVT LTD	INDIA
1.94.27	SHAYBURG VALVES PVT LTD	INDIA
1.94.28	STEEL STRONG VALVES INDIA PVT LTD	INDIA
1.94.29	WEIR BDK VALVES-A UNIT OF WEIR INDIA PVT	INDIA
1.94.30	XOMOX SANMAR LTD-PACIFIC VALVES DIVISION	INDIA
1.94.31	NUTECH CONTROLS	INDIA
1.95	VALVE GLOBE CRYOGENIC CAST	
A	INDIAN BIDDERS	
1.95.1	AMPO, S.COOP (POYAM VALVES)	INDIA
1.95.2	BOTELI VALVE GROUP CO.	INDIA
1.95.3	L & T VALVES LIMITED	INDIA
1.95.4	LEADER VALVES LTD	INDIA

VENDOR LIST		
Sr.No	VENDOR NAME	COUNTRY
1.95.5	NITON VALVE INDUSTRIES PRIVATE LTD.	INDIA
1.95.6	NSSL PVT. LTD. (NECO SCHUBERT & SALZER)	INDIA
1.95.7	OSWAL INDUSTRIES LTD	INDIA
1.95.8	PANCHVATI VALVES & FLANGES PVT LTD	INDIA
1.95.9	STEEL STRONG VALVES INDIA PVT LTD	INDIA
1.95.10	VELAN INC	INDIA
1.95.11	WEIR BDK VALVES-A UNIT OF WEIR INDIA PVT	INDIA
1.96	VALVE GLOBE FORGED	
A	INDIAN BIDDERS	
1.96.1	ASSOCIATED TOOLINGS INDIA PVT LTD	INDIA
1.96.2	AUTOCAP INDUSTRIES	INDIA
1.96.3	AV VALVES LIMITED	INDIA
1.96.4	BHEL	INDIA
1.96.5	BOTELI VALVE GROUP CO.	INDIA
1.96.6	FLOWSERVE PTE(MFR. EDWARD)	INDIA
1.96.7	FLUIDLINE VALVES CO.PVT LTD	INDIA
1.96.8	GM ENGINEERING PVT. LTD.	INDIA
1.96.9	HAWA ENGINEERS LTD	INDIA
1.96.10	INTERVALVE POONAWALLA LIMITED	INDIA
1.96.11	KSB PUMPS LTD (COIMBATTORE)	INDIA
1.96.12	L & T VALVES LIMITED	INDIA
1.96.13	LEADER VALVES LTD	INDIA
1.96.14	MICON ENGINEERS (HUBLI) PVT LTD	INDIA
1.96.15	NITON VALVE INDUSTRIES PRIVATE LTD.	INDIA
1.96.16	OSWAL INDUSTRIES LTD	INDIA
1.96.17	PANCHVATI VALVES & FLANGES PVT LTD	INDIA
1.96.18	PEE INDUSTRIAL VALVES PVT. LTD.	INDIA
1.96.19	SEMPELL VALVES PVT LTD	INDIA
1.96.20	SHALIMAR VALVES PVT LTD	INDIA
1.96.21	SHAYBURG VALVES PVT LTD	INDIA
1.96.22	STEEL STRONG VALVES INDIA PVT LTD	INDIA
1.96.23	VEE TECH VALVES PRIVATE LIMITED	INDIA
1.96.24	VELAN VALVES INDIA PVT LTD	INDIA

VENDOR LIST		
Sr.No	VENDOR NAME	COUNTRY
1.96.25	WEIR BDK VALVES-A UNIT OF WEIR INDIA PVT	INDIA
1.96.26	NUTECH CONTROLS	INDIA
1.96.27	JMD ENGINEERS	INDIA
1.97	VALVE GLOBE CRYOGENIC FORGED	
A	INDIAN BIDDERS	
1.97.1	ASSOCIATED TOOLINGS INDIA PVT LTD	INDIA
1.97.2	BOTELI VALVE GROUP CO.	INDIA
1.97.3	L & T VALVES LIMITED	INDIA
1.97.4	LEADER VALVES LTD	INDIA
1.97.5	NITON VALVE INDUSTRIES PRIVATE LTD.	INDIA
1.97.6	OSWAL INDUSTRIES LTD	INDIA
1.97.7	STEEL STRONG VALVES INDIA PVT LTD	INDIA
1.97.8	WEIR BDK VALVES-A UNIT OF WEIR INDIA PVT LTD	INDIA
1.98	VALVE GLOBE GUNMETAL/BRASS/BRONZE	
A	INDIAN BIDDERS	
1.98.1	AV VALVES LIMITED	INDIA
1.98.2	H. SARKER & COMPANY	INDIA
1.98.3	LEADER VALVES LTD	INDIA
1.98.4	SANT VALVES PVT LTD	INDIA
1.99	Y TYPE GLOBE & STOP CHECK VALVES	
A	INDIAN BIDDERS	
1.99.1	ADAMS ARMATUREN GMBH	INDIA
1.99.2	AMPO VALVES INDIA PVT LTD	INDIA
1.99.3	AMPO, S.COOP (POYAM VALVES)	INDIA
1.99.4	BOTELI VALVE GROUP CO.	INDIA
1.99.5	CESARE BONNETTI S.P.A.	INDIA
1.99.6	FLOWSERVE PTE(MFR. EDWARD)	INDIA
1.99.7	L & T VALVES LIMITED	INDIA
1.99.8	NITON VALVE INDUSTRIES PRIVATE LTD.	INDIA
1.99.9	SchuF Speciality valves INDIA Pvt Ltd	INDIA
1.99.10	VELAN INC	INDIA
1.99.11	VELAN VALVES INDIA PVT LTD	INDIA
1.100	VALVE- BLOWDOWN (Straight/Angle Pattern)	

VENDOR LIST		
Sr.No	VENDOR NAME	COUNTRY
A	INDIAN BIDDERS	
1.100.1	BHEL	INDIA
1.100.2	CESARE BONNETTI S.P.A.	INDIA
1.100.3	GESTRA AG (FLOWSERVE GROUP)	INDIA
1.100.4	INSTRUMENTATION LTD. (PALGHAT)	INDIA
1.100.5	PENTAIR VALVES & CONTROLS INDIA PVT LTD	INDIA
1.100.6	SCHUF SPECIALITY VALVES INDIA PVT LTD	INDIA
1.100.7	SEMPELL VALVES PVT LTD	INDIA
1.100.8	YARWAY CORPORATION	INDIA
1.101	VALVE CHECK- (FOREIGN SUPPLIERS)	
A	INDIAN BIDDERS	
1.101.1	CESARE BONNETTI S.P.A.	INDIA
1.101.2	FLOWSERVE PTE(MFR. EDWARD)	INDIA
1.101.3	FRIULCO SPA	INDIA
1.101.4	PENTAIR VALVES	INDIA
1.101.5	VELAN INC	INDIA
1.102	VALVE CHECK CAST	
A	INDIAN BIDDERS	
1.102.1	AMPO VALVES INDIA PVT LTD	INDIA
1.102.2	AMPO, S.COOP (POYAM VALVES)	INDIA
1.102.3	AV VALVES LIMITED	INDIA
1.102.4	BHEL	INDIA
1.102.5	BOTELI VALVE GROUP CO.	INDIA
1.102.6	CESARE BONNETTI S.P.A.	INDIA
1.102.7	CRI PUMPS PVT LTD (UNIT-VALVES)	INDIA
1.102.8	FLUIDLINE VALVES CO.PVT LTD	INDIA
1.102.9	FORWARD ALLOYS & CASTINGS	INDIA
1.102.10	FOURESS ENGG (I) LTD. (AURANGABAD)	INDIA
1.102.11	GESTRA AG (FLOWSERVE GROUP)	INDIA
1.102.12	GM ENGINEERING PVT. LTD.	INDIA
1.102.13	HAWA ENGINEERS LTD	INDIA
1.102.14	INTERVALVE POONAWALLA LIMITED	INDIA
1.102.15	KSB PUMPS LTD (COIMBATTORE)	INDIA

VENDOR LIST		
Sr.No	VENDOR NAME	COUNTRY
1.102.16	L & T VALVES LIMITED	INDIA
1.102.17	LEADER VALVES LTD	INDIA
1.102.18	MH VALVES PVT LTD.	INDIA
1.102.19	MICON ENGINEERS (HUBLI) PVT LTD	INDIA
1.102.20	NILON VALVES PRIVATE LIMITED	INDIA
1.102.21	NITON VALVE INDUSTRIES PRIVATE LTD .	INDIA
1.102.22	NSSL PVT. LTD. (NECO SCHUBERT & SALZER)	INDIA
1.102.23	OMKAR VAVES PVT LTD	INDIA
1.102.24	OSWAL INDUSTRIES LTD	INDIA
1.102.25	PANCHVATI VALVES & FLANGES PVT LTD	INDIA
1.102.26	PEE INDUSTRIAL VALVES PVT. LTD.	INDIA
1.102.27	SAKHI ENGINEERS PVT. LTD.	INDIA
1.102.28	SHALIMAR VALVES PVT LTD	INDIA
1.102.29	SHAYBURG VALVES PVT LTD	INDIA
1.102.30	STEEL STRONG VALVES INDIA PVT LTD	INDIA
1.102.31	T.S. PUMPS AND VALVES PVT.LTD	INDIA
1.102.32	VELAN VALVES INDIA PVT LTD	INDIA
1.102.33	WEIR BDK VALVES-A UNIT OF WEIR INDIA PVT	INDIA
1.102.34	XOMOX SANMAR LTD-PACIFIC VALVES DIVISION	INDIA
1.102.35	NUTECH CONTROLS	INDIA
1.103	VALVE CHECK CRYOGENIC CAST	
A	INDIAN BIDDERS	
1.103.1	AMPO, S.COOP (POYAM VALVES)	INDIA
1.103.2	BOTELI VALVE GROUP CO.	INDIA
1.103.3	L & T VALVES LIMITED	INDIA
1.103.4	NITON VALVE INDUSTRIES PRIVATE LTD .	INDIA
1.103.5	NSSL PVT. LTD. (NECO SCHUBERT & SALZER)	INDIA
1.103.6	OSWAL INDUSTRIES LTD	INDIA
1.103.7	PANCHVATI VALVES & FLANGES PVT LTD	INDIA
1.103.8	STEEL STRONG VALVES INDIA PVT LTD	INDIA
1.103.9	VELAN INC	INDIA
1.103.10	LEADER VALVES	INDIA
1.104	VALVE CHECK FORGED	

VENDOR LIST		
Sr.No	VENDOR NAME	COUNTRY
A	INDIAN BIDDERS	
1.104.1	ASSOCIATED TOOLINGS INDIA PVT LTD	INDIA
1.104.2	AUTOCAP INDUSTRIES	INDIA
1.104.3	AV VALVES LIMITED	INDIA
1.104.4	BHEL	INDIA
1.104.5	BOTELI VALVE GROUP CO.	INDIA
1.104.6	FLOWSERVE PTE(MFR. EDWARD)	INDIA
1.104.7	FLUIDLINE VALVES CO.PVT LTD	INDIA
1.104.8	GM ENGINEERING PVT. LTD.	INDIA
1.104.9	HAWA ENGINEERS LTD	INDIA
1.104.10	INTERVALVE POONAWALLA LIMITED	INDIA
1.104.11	KSB PUMPS LTD (COIMBATTORE)	INDIA
1.104.12	L & T VALVES LIMITED	INDIA
1.104.13	LEADER VALVES LTD	INDIA
1.104.14	MICON ENGINEERS (HUBLI) PVT LTD	INDIA
1.104.15	NITON VALVE INDUSTRIES PRIVATE LTD.	INDIA
1.104.16	NSSL LTD	INDIA
1.104.17	OMKAR VAVES PVT LTD	INDIA
1.104.18	OSWAL INDUSTRIES LTD	INDIA
1.104.19	PANCHVATI VALVES & FLANGES PVT LTD	INDIA
1.104.20	PEE INDUSTRIAL VALVES PVT. LTD.	INDIA
1.104.21	SHALIMAR VALVES PVT LTD	INDIA
1.104.22	SHAYBURG VALVES PVT LTD	INDIA
1.104.23	STEEL STRONG VALVES INDIA PVT LTD	INDIA
1.104.24	VEE TECH VALVES PRIVATE LIMITED	INDIA
1.104.25	VELAN VALVES INDIA PVT LTD	INDIA
1.104.26	WEIR BDK VALVES-A UNIT OF WEIR INDIA PVT	INDIA
1.104.27	NUTECH CONTROLS	INDIA
1.104.28	JMD ENGINEERS	INDIA
1.105	VALVE CHECK CRYOGENIC FORGED	
A	INDIAN BIDDERS	
1.105.1	ASSOCIATED TOOLINGS INDIA PVT LTD	INDIA
1.105.2	BOTELI VALVE GROUP CO.	INDIA

VENDOR LIST		
Sr.No	VENDOR NAME	COUNTRY
1.105.3	LEADER VALVES LTD	INDIA
1.105.4	OSWAL INDUSTRIES LTD	INDIA
1.105.5	STEEL STRONG VALVES INDIA PVT LTD	INDIA
1.106	VALVE CHECK GUNMETAL/BRASS/BRONZE	
A	INDIAN BIDDERS	
1.106.1	AV VALVES LIMITED	INDIA
7.106.2	H. SARKER & COMPANY	INDIA
7.106.3	LEADER VALVES LTD	INDIA
7.106.4	SANT VALVES PVT LTD	INDIA
7.106.5	ATAM VALVES PVT LTD	INDIA
7.106.6	ZOLOTO INDUSTRIES	INDIA
1.107	VALVE CHECK (DUAL PLATE TYPE)	
A	INDIAN BIDDERS	
1.107.1	ADVANCE VALVES PVT LTD.	INDIA
1.107.2	CRANE STOCKHAM VALVE LTD	INDIA
1.107.3	FLOVEL VALVES PVT.LTD.	INDIA
1.107.4	GESTRA AG (FLOWSERVE GROUP)	INDIA
1.107.5	LEADER VALVES LTD	INDIA
1.107.6	NITON VALVE INDUSTRIES PRIVATE LTD .	INDIA
1.107.7	OMKAR VAVES PVT LTD	INDIA
1.107.8	SHALIMAR VALVES PVT LTD	INDIA
1.107.9	WEIR BDK VALVES-A UNIT OF WEIR INDIA PVT	INDIA
1.108	VALVE CHECK EXCESS FLOW	
A	INDIAN BIDDERS	
1.108.1	CHANDRA ENGG. & MECH PVT LTD.	INDIA
1.109	VALVE-NON SLAM CHECK (NOZZLE)	
A	INDIAN BIDDERS	
1.109.1	CRANE STOCKHAM VALVE LTD	INDIA
1.109.2	FLOVEL VALVES PVT.LTD.	INDIA
1.110	VALVE BALL-(FOREIGN SUPPLIERS)	
A	INDIAN BIDDERS	
1.110.1	FRANZ SCHUCK GMBH (FORMERLY BORSIG)	INDIA
1.110.2	FRIULCO SPA	INDIA

VENDOR LIST		
Sr.No	VENDOR NAME	COUNTRY
1.110.3	KITAMURA VALVE MANUFACTURING CO LTD	INDIA
1.110.4	METSO FLOW CONTROL OY	INDIA
1.110.5	PENTAIR VALVES	INDIA
1.110.6	CAMERON LTD. (Group of Schlumberger Ltd)	INDIA
1.111	VALVE BALL CRYOGENIC	
A	INDIAN BIDDERS	
1.111.1	AMPO, S.COOP (POYAM VALVES)	INDIA
1.111.2	BELGAUM AQUA VALVES PVT. LTD.	INDIA
1.111.3	MICROFINISH VALVES PVT LIMITED	INDIA
1.111.4	WEIR BDK VALVES-A UNIT OF WEIR INDIA PVT LTD	INDIA
1.112	VALVE BALL NON FIRE SAFE-CCS	
A	INDIAN BIDDERS	
1.112.1	AMPO, S.COOP (POYAM VALVES)	INDIA
1.112.2	ANAND TEKNOVA AIDS ENGINEERING INDIA LTD	INDIA
1.112.3	AQUA CONTROL VALVES PVT LTD	INDIA
1.112.4	BELGAUM AQUA VALVES PVT. LTD.	INDIA
1.112.5	BOTELI VALVE GROUP CO.	INDIA
1.112.6	BRAY CONTROLS INDIA PVT LTD	INDIA
1.112.7	DELVAL FLOW CONTROLS PRIVATE LIMITED	INDIA
1.112.8	DEMBLA VALVES LTD.	INDIA
1.112.9	FLOW CHEM INDUSTRIES	INDIA
1.112.10	FLOWJET VALVES PVT LTD	INDIA
1.112.11	FLUIDLINE VALVES CO.PVT LTD	INDIA
1.112.12	FRANZ SCHUCK GMBH (FORMERLY BORSIG- B506)	INDIA
1.112.13	GM ENGINEERING PVT. LTD.	INDIA
1.112.14	HAWA ENGINEERS LTD	INDIA
1.112.15	INTERVALVE POONAWALLA LIMITED	INDIA
1.112.16	KITAMURA VALVE MANUFACTURING CO LTD	INDIA
1.112.17	L & T VALVES LIMITED	INDIA
1.112.18	LEADER VALVES LTD	INDIA
1.112.19	METSO FLOW CONTROL OY	INDIA
1.112.20	MEVADA ENGG.WORKS PVT LTD	INDIA
1.112.21	MICON ENGINEERS (HUBLI) PVT LTD	INDIA

VENDOR LIST		
Sr.No	VENDOR NAME	COUNTRY
1.112.22	MICROFINISH VALVES PVT LIMITED	INDIA
1.112.23	NITON VALVE INDUSTRIES PRIVATE LTD.	INDIA
1.112.24	NSSL ITALIA	INDIA
1.112.25	OSWAL INDUSTRIES LTD	INDIA
1.112.26	RAPPID VALVES INDIA PVT LTD	INDIA
1.112.27	REYNOLD VALVES LTD	INDIA
1.112.28	SHALIMAR VALVES PVT LTD	INDIA
1.112.29	SHAYBURG VALVES PVT LTD	INDIA
1.112.30	VAAS AUTOMATION PVT LTD	INDIA
1.112.31	VIRGO VALVES & CONTROLS PVT LTD.	INDIA
1.112.32	WEIR BDK VALVES-A UNIT OF WEIR INDIA PVT	INDIA
1.112.33	DEMBLA VALVES LIMITED	INDIA
1.112.34	ANAND TEKNOVA AIDS ENGINEERING INDIA LTD.	INDIA
1.113	VALVE BALL NON FIRE SAFE-CSS	
A	INDIAN BIDDERS	
1.113.1	AMPO, S.COOP (POYAM VALVES)	INDIA
1.113.2	ANAND TEKNOVA AIDS ENGINEERING INDIA LTD	INDIA
1.113.3	ANAND TEKNOVA AIDS ENGINEERING INDIA LTD.	INDIA
1.113.4	AQUA CONTROL VALVES PVT LTD	INDIA
1.113.5	BELGAUM AQUA VALVES PVT. LTD.	INDIA
1.113.6	BOTELI VALVE GROUP CO.	INDIA
1.113.7	BRAY CONTROLS INDIA PVT LTD	INDIA
1.113.8	DELVAL FLOW CONTROLS PRIVATE LIMITED	INDIA
1.113.9	DEMBLA VALVES LIMITED	INDIA
1.113.10	FLOW CHEM INDUSTRIES	INDIA
1.113.11	FLOWJET VALVES PVT LTD	INDIA
1.113.12	GM ENGINEERING PVT. LTD.	INDIA
1.113.13	HAWA ENGINEERS LTD	INDIA
1.113.14	INTERVALVE POONAWALLA LIMITED	INDIA
1.113.15	KITAMURA VALVE MANUFACTURING CO LTD	INDIA
1.113.16	L & T VALVES LIMITED	INDIA
1.113.17	LEADER VALVES LTD	INDIA
1.113.18	METSO FLOW CONTROL OY	INDIA

VENDOR LIST

Sr.No	VENDOR NAME	COUNTRY
1.113.19	MEVADA ENGG.WORKS PVT LTD	INDIA
1.113.20	MICON ENGINEERS (HUBLI) PVT LTD	INDIA
1.113.21	MICROFINISH VALVES PVT LIMITED	INDIA
1.113.22	NITON VALVE INDUSTRIES PRIVATE LTD .	INDIA
1.113.23	NSSL ITALIA	INDIA
1.113.24	OSWAL INDUSTRIES LTD	INDIA
1.113.25	RAPPID VALVES INDIA PVT LTD	INDIA
1.113.26	REYNOLD VALVES LTD	INDIA
1.113.27	SHAYBURG VALVES PVT LTD	INDIA
1.113.28	VAAS AUTOMATION PVT LTD	INDIA
1.113.29	VIRGO VALVES & CONTROLS PVT LTD.	INDIA
1.113.30	VIRGO VALVES & CONTROLS PVT LTD.	INDIA
1.114	VALVE BALL FIRE SAFE-CCS	
A	INDIAN BIDDERS	
1.114.1	AMPO, S.COOP (POYAM VALVES)	INDIA
1.114.2	ANAND TEKNOV AIDS ENGINEERING INDIA LTD	INDIA
1.114.3	ANAND TEKNOV AIDS ENGINEERING INDIA LTD.	INDIA
1.114.4	AQUA CONTROL VAVES PVT LTD	INDIA
1.114.5	BELGAUM AQUA VALVES PVT. LTD.	INDIA
1.114.6	BOTELI VALVE GROUP CO.	INDIA
1.114.7	BRAY CONTROLS INDIA PVT LTD	INDIA
1.114.8	DEMBLA VALVES LIMITED	INDIA
1.114.9	FLOW CHEM INDUSTRIES	INDIA
1.114.10	FLOWJET VAVES PVT LTD	INDIA
1.114.11	GM ENGINEERING PVT. LTD.	INDIA
1.114.12	HAWA ENGINEERS LTD	INDIA
1.114.13	INTERVALVE POONAWALLA LIMITED	INDIA
1.114.14	L & T VALVES LIMITED	INDIA
1.114.15	LEADER VALVES LTD	INDIA
1.114.16	METSO FLOW CONTROL OY	INDIA
1.114.17	MICON ENGINEERS (HUBLI) PVT LTD	INDIA
1.114.18	MICROFINISH VALVES PVT LIMITED	INDIA
1.114.19	NITON VALVE INDUSTRIES PRIVATE LTD .	INDIA

VENDOR LIST		
Sr.No	VENDOR NAME	COUNTRY
1.114.20	NSSL ITALIA	INDIA
1.114.21	OSWAL INDUSTRIES LTD	INDIA
1.114.22	RAPPID VALVES INDIA PVT LTD	INDIA
1.114.23	REYNOLD VALVES LTD	INDIA
1.114.24	SHAYBURG VALVES PVT LTD	INDIA
1.114.25	VAAS AUTOMATION PVT LTD	INDIA
1.114.26	VIRGO VALVES & CONTROLS PVT LTD.	INDIA
1.114.27	WEIR BDK VALVES-A UNIT OF WEIR INDIA PVT	INDIA
1.115	VALVE BALL FIRE SAFE-CSS	
A	INDIAN BIDDERS	
1.115.1	AMPO, S.COOP (POYAM VALVES)	INDIA
1.115.2	ANAND TEKNOVA AIDS ENGINEERING INDIA LTD.	INDIA
1.115.3	BELGAUM AQUA VALVES PVT. LTD.	INDIA
1.115.4	BOTELI VALVE GROUP CO.	INDIA
1.115.5	CRANE PROCESS FLOW TECHNOLOGES (I) LTD	INDIA
1.115.6	DELVAL FLOW CONTRLS PVT LTD	INDIA
1.115.7	FLOW CHEM INDUSTRIES	INDIA
1.115.8	GM ENGINEERING PVT. LTD.	INDIA
1.115.9	INTERVALVE POONAWALLA LIMITED	INDIA
1.115.10	L & T VALVES LIMITED	INDIA
1.115.11	LEADER VALVES LTD	INDIA
1.115.12	METSO FLOW CONTROL OY	INDIA
1.115.13	MICON ENGINEERS (HUBLI) PVT LTD	INDIA
1.115.14	MICROFINISH VALVES PVT LIMITED	INDIA
1.115.15	NITON VALVE INDUSTRIES PRIVATE LTD .	INDIA
1.115.16	NSSL ITALIA	INDIA
1.115.17	OMKAR VALVES PVT LTD	INDIA
1.115.18	REYNOLD VALVES LTD	INDIA
1.115.19	VAAS AUTOMATION PVT LTD	INDIA
1.115.20	VIRGO VALVES & CONTROLS PVT LTD.	INDIA
1.115.21	WEIR BDK VALVES-A UNIT OF WEIR INDIA PVT	INDIA
1.116	VALVE BALL - FIRE SAFE (FORGED)	
A	INDIAN BIDDERS	

VENDOR LIST		
Sr.No	VENDOR NAME	COUNTRY
1.116.1	ANAND TEKNOV AIDS ENGINEERING INDIA LTD.	INDIA
1.116.2	BELGAUM AQUA VALVES PVT. LTD.	INDIA
1.116.3	CRANE PROCESS FLOW TECHNOLOGES (I) LTD	INDIA
1.116.4	DELVAL FLOW CONTRLS PVT LTD	INDIA
1.116.5	INTERVALVE POONAWALLA LIMITED	INDIA
1.116.6	MICON ENGINEERS (HUBLI) PVT LTD	INDIA
1.116.7	MICROFINISH VALVES PVT LIMITED	INDIA
1.116.8	OMKAR VALVES PVT LTD	INDIA
1.116.9	SHAYBURG VALVES PVT LTD	INDIA
1.116.10	WEIR BDK VALVES-A UNIT OF WEIR INDIA PVT LTD	INDIA
1.117	VALVE BALL NON FIRE SAFE-FCS	
A	INDIAN BIDDERS	
1.117.1	BELGAUM AQUA VALVES PVT. LTD.	INDIA
1.117.2	CRANE PROCESS FLOW TECHNOLOGES (I) LTD	INDIA
1.117.3	DELVAL FLOW CONTRLS PVT LTD	INDIA
1.117.4	FLOW CHEM INDUSTRIES	INDIA
1.117.5	HAWA ENGINEERS LTD	INDIA
1.117.6	INTERVALVE POONAWALLA LIMITED	INDIA
1.117.7	LEADER VALVES LTD	INDIA
1.117.8	MEVADA ENGG.WORKS PVT LTD	INDIA
1.117.9	MICROFINISH VALVES PVT LIMITED	INDIA
1.117.10	NITON VALVE INDUSTRIES PRIVATE LTD.	INDIA
1.117.11	OMKAR VALVES PVT LTD	INDIA
1.117.12	SHAYBURG VALVES PVT LTD	INDIA
1.117.13	ANAND TEKNOV AIDS ENGINEERING INDIA LTD.	INDIA
1.118	VALVE BALL NON FIRE SAFE-FSS	
A	INDIAN BIDDERS	
1.118.1	BELGAUM AQUA VALVES PVT. LTD.	INDIA
1.118.2	CRANE PROCESS FLOW TECHNOLOGES (I) LTD	INDIA
1.118.3	DELVAL FLOW CONTRLS PVT LTD	INDIA
1.118.4	FLOW CHEM INDUSTRIES	INDIA
1.118.5	HAWA ENGINEERS LTD	INDIA
1.118.6	INTERVALVE POONAWALLA LIMITED	INDIA

VENDOR LIST		
Sr.No	VENDOR NAME	COUNTRY
1.118.7	LEADER VALVES LTD	INDIA
1.118.8	MEVADA ENGG.WORKS PVT LTD	INDIA
1.118.9	MICROFINISH VALVES PVT LIMITED	INDIA
1.118.10	NITON VALVE INDUSTRIES PRIVATE LTD .	INDIA
1.118.11	OMKAR VALVES PVT LTD	INDIA
1.118.12	SHAYBURG VALVES PVT LTD	INDIA
1.118.13	ANAND TEKNOV AIDS ENGINEERING INDIA LTD.	INDIA
1.119	VALVE BALL JACKETED - NON FIRE SAFE	
A	INDIAN BIDDERS	
1.119.1	BELGAUM AQUA VALVES PVT. LTD.	INDIA
1.119.2	MICROFINISH VALVES PVT LIMITED	INDIA
1.120	VALVE BALL MULTIPORT NON FIRE SAFE	
A	INDIAN BIDDERS	
1.120.1	BELGAUM AQUA VALVES PVT. LTD.	INDIA
1.120.2	MICROFINISH VALVES PVT LIMITED	INDIA
1.121	VALVE BUTTERFLY-(FOREIGN SUPPLIERS)	
A	INDIAN BIDDERS	
1.121.1	PENTAIR VALVES & CONTROLS INDIA LTD	INDIA
1.122	VALVE BUTTERFLY - CCS	
A	INDIAN BIDDERS	
1.122.1	ADVANCE VALVES PVT LTD.	INDIA
1.122.2	BRAY CONTROLS	INDIA
1.122.3	CRANE PROCESS FLOW TECHNOLOGIES IND. LTD	INDIA
1.122.4	DELVAL FLOW CONTRLS PVT LTD	INDIA
1.122.5	DEMBLA VALVES LTD.	INDIA
1.122.6	FLOWSERVE INDIA CONTROLS PVT LTD-MMN	INDIA
1.122.7	FLUIDLINE VALVES CO.PVT LTD	INDIA
1.122.8	FOURESS ENGG.(INDIA) LTD.(BLR.WORK)	INDIA
1.122.9	GM ENGINEERING PVT. LTD.	INDIA
1.122.10	HAWA ENGINEERS LTD	INDIA
1.122.11	INSTRUMENTATION LTD. (PALGHAT)	INDIA
1.122.12	INTERVALVE POONAWALLA LIMITED	INDIA
1.122.13	L & T VALVES LIMITED	INDIA

VENDOR LIST		
Sr.No	VENDOR NAME	COUNTRY
1.122.14	LEADER VALVES LTD	INDIA
1.122.15	MASCOT VALVES PVT LIMITED (FMLY VALFLO)	INDIA
1.122.16	METSO FLOW CONTROL OY	INDIA
1.122.17	OMKAR VALVES PVT LTD	INDIA
1.122.18	PENTAIR VALVES & CONTROLS INDIA PVT LTD	INDIA
1.122.19	STAFFORD CONTROLS LIMITED	INDIA
1.122.20	WEIR BDK VALVES-A UNIT OF WEIR INDIA PVT LTD	INDIA
1.122.21	BRAY CONTROLS INDIA PVT LTD.	INDIA
1.122.22	DEMBLA VALVES LIMITED	INDIA
1.123	VALVE BUTTERFLY -CSS	
A	INDIAN BIDDERS	
1.123.1	ADVANCE VALVES PVT LTD.	INDIA
1.123.2	BRAY CONTROLS INDIA PVT LTD.	INDIA
1.123.3	CRANE PROCESS FLOW TECHNOLOGIES IND. LTD	INDIA
1.123.4	DELVAL FLOW CONTRLS PVT LTD	INDIA
1.123.5	FLOWSERVE INDIA CONTROLS PVT LTD-MMN	INDIA
1.123.6	FLUIDLINE VALVES CO.PVT LTD	INDIA
1.123.7	FOURESS ENGG.(INDIA) LTD.(BLR.WORK)	INDIA
1.123.8	INSTRUMENTATION LTD. (PALGHAT)	INDIA
1.123.9	INTERVALVE POONAWALLA LIMITED	INDIA
1.123.10	L & T VALVES LIMITED	INDIA
1.123.11	LEADER VALVES LTD	INDIA
1.123.12	MASCOT VALVES PVT LIMITED (FMLY VALFLO)	INDIA
1.123.13	METSO FLOW CONTROL OY	INDIA
1.123.14	OMKAR VALVES PVT LTD	INDIA
1.123.15	PENTAIR VALVES & CONTROLS INDIA PVT LTD	INDIA
1.123.16	STAFFORD CONTROLS LIMITED	INDIA
1.123.17	WEIR BDK VALVES-A UNIT OF WEIR INDIA PVT LTD	INDIA
1.123.18	DEMBALA VALVES LIMITED	INDIA
1.124	VALVE BUTTERFLY -CAS	
A	INDIAN BIDDERS	
1.124.1	BRAY CONTROLS INDIA PVT LTD.	INDIA
1.124.2	CRANE PROCESS FLOW TECHNOLOGIES IND. LTD	INDIA

VENDOR LIST		
Sr.No	VENDOR NAME	COUNTRY
1.124.3	DELVAL FLOW CONTRLS PVT LTD	INDIA
1.124.4	LEADER VALVES LTD	INDIA
1.124.5	OMKAR VALVES PVT LTD	INDIA
1.125	VALVE BUTTERFLY (PTFE SEATED)	
A	INDIAN BIDDERS	
1.125.1	BRAY CONTROLS INDIA PVT LTD.	INDIA
1.125.2	CRANE PROCESS FLOW TECHNOLOGIES IND. LTD	INDIA
1.125.3	DELVAL FLOW CONTROLS PRIVATE LIMITED	INDIA
1.125.4	DEMBLA VALVES LIMITED	INDIA
1.125.5	EMERSON (TYCO VALVES & CONTROLS-PANTAIR)	INDIA
1.125.6	GM ENGINEERING PVT. LTD.	INDIA
1.125.7	HI TECH BUTTERFLY VALVES INDIA PVT LTD.	INDIA
1.125.8	INTERVALVE POONAWALLA LIMITED	INDIA
1.125.9	WEIR BDK VALVES-A UNIT OF WEIR INDIA PVT	INDIA
1.126	VALVE BELLOW SEALED	
A	INDIAN BIDDERS	
1.126.1	BELL-O-SEAL VALVES PVT LTD	INDIA
1.126.2	BOTELI VALVE GROUP CO.	INDIA
1.126.3	CESARE BONNETTI S.P.A.	INDIA
1.126.4	L & T VALVES LIMITED	INDIA
1.126.5	MICROFINISH VALVES PVT LIMITED	INDIA
1.126.6	UNI KLINGER LTD	INDIA
1.126.7	VELAN INC	INDIA
1.126.8	VELAN VALVES INDIA PVT LTD	INDIA
1.127	VALVE-BUTTERFLY (TRIPLE OFFSET)	
A	INDIAN BIDDERS	
1.127.1	ADAMS ARMATUREN GMBH	INDIA
1.127.2	ADVANCE VALVES PVT LTD.	INDIA
1.127.3	BRAY CONTROLS	INDIA
1.127.4	DELVAL FLOW CONTROLS PRIVATE LIMITED	INDIA
1.127.5	DEMBLA VALVES LIMITED	INDIA
1.127.6	INTERVALVE POONAWALLA LIMITED	INDIA
1.127.7	L & T VALVES LIMITED	INDIA

VENDOR LIST		
Sr.No	VENDOR NAME	COUNTRY
1.127.8	PENTAIR VALVES & CONTROLS INDIA PVT LTD	INDIA
1.127.9	VIRGO VALVES & CONTROLS PVT LTD.	INDIA
1.128	VALVE DIAPHRAGM-(FOREIGN SUPPLIERS)	
A	INDIAN BIDDERS	
1.128.1	KITAMURA VALVE MANUFACTURING CO LTD	INDIA
1.129	VALVE DIAPHRAGM CAST CARBON STEEL	
A	INDIAN BIDDERS	
1.129.1	CRANE PROCESS FLOW TECHNOLOGIES IND. LTD	INDIA
1.129.2	PROCON ENGINEERS	INDIA
1.129.3	WEIR BDK VALVES-A UNIT OF WEIR INDIA PVT LTD	INDIA
1.130	VALVE DIAPHRAGM CAST STAINLESS STEEL	
A	INDIAN BIDDERS	
1.130.1	CRANE PROCESS FLOW TECHNOLOGIES IND. LTD	INDIA
1.130.2	PROCON ENGINEERS	INDIA
1.130.3	WEIR BDK VALVES-A UNIT OF WEIR INDIA PVT LTD	INDIA
1.131	VALVE PLUG-(FOREIGN SUPPLIERS)	
1.132	VALVE PLUG CONCENTRIC- CCS (F.S & N.F.S)	
A	INDIAN BIDDERS	
1.132.1	CHEMTROLS SAMIL (INDIA) PVT LTD	INDIA
1.132.2	FLOWSERVE INDIA CONTROLS PVT LTD-MMN	INDIA
1.132.3	FLOWSERVE PTE (MFR. SERCK)	INDIA
1.132.4	GM ENGINEERING PVT. LTD.	INDIA
1.132.5	RASAI FLOW LINES PVT LTD.	INDIA
1.132.6	WEIR BDK VALVES-A UNIT OF WEIR INDIA PVT	INDIA
1.132.7	XOMOX SANMAR LIMITED	INDIA
1.132.8	ZHEJIANG FLOWTECH MACHINERY CO.LTD	INDIA
1.132.9	SOUDARSHINI VALVE PRIVATE LIMITED	INDIA
1.133	VALVE PLUG CONCENTRIC -CSS (F.S & N.F.S)	
A	INDIAN BIDDERS	
1.133.1	CHEMTROLS SAMIL (INDIA) PVT LTD	INDIA
1.133.2	FLOWSERVE INDIA CONTROLS PVT LTD-MMN	INDIA
1.133.3	FLOWSERVE PTE (MFR. SERCK)	INDIA
1.133.4	RASAI FLOW LINES PVT LTD.	INDIA

VENDOR LIST		
Sr.No	VENDOR NAME	COUNTRY
1.133.5	WEIR BDK VALVES-A UNIT OF WEIR INDIA PVT	INDIA
1.133.6	XOMOX SANMAR LIMITED	INDIA
1.134	VALVE PLUG CONCENTRIC-CAS(F.S. & N.F.S.)	
A	INDIAN BIDDERS	
1.134.1	FLOWSERVE PTE (MFR. SERCK)	INDIA
1.134.2	XOMOX SANMAR LIMITED	INDIA
1.135	VALVE PISTON (GLANDLESS)	
A	INDIAN BIDDERS	
1.135.1	ARMSTRONG INTERNATIONAL PVT LTD.	INDIA
1.135.2	CESARE BONNETTI S.P.A.	INDIA
1.135.3	FORBES MARSHALL	INDIA
1.135.4	UNI KLINGER LTD	INDIA
1.136	VALVE PLUG DBB EXPANDING TYPE	
A	INDIAN BIDDERS	
1.136.1	GHATGE PATIL INDUSTRIES LIMITED	INDIA
1.137	VALVE PLUG MULTIPOINT - NON FIRE SAFE	
A	INDIAN BIDDERS	
1.137.1	FLOWSERVE PTE (MFR.SERCK)	INDIA
1.137.2	XOMOX SANMAR LIMITED	INDIA
1.138	VALVE NEEDLE	
A	INDIAN BIDDERS	
1.138.1	ASSOCIATED TOOLINGS INDIA PVT LTD	INDIA
1.138.2	EXCELSIOR ENGG. WORKS	INDIA
1.138.3	LEADER VALVES LTD	INDIA
1.138.4	ASTEC VALVES AND FITTINGS PVT LTD	INDIA
1.138.5	ATAM VALVES PVT LTD	INDIA
1.138.6	PACHVATI VALVES AND FLANGES	INDIA
1.138.7	TECHNOMATIC IDNIA PVT LTD	INDIA
1.139	VALVE DOUBLE DISC GATE	
A	INDIAN BIDDERS	
1.139.1	L & T VALVES LIMITED	INDIA
1.140	VALVE SLIDE	
1.141	VALVE SHUT DOWN	

VENDOR LIST		
Sr.No	VENDOR NAME	COUNTRY
A	INDIAN BIDDERS	
1.141.1	NITON VALVE INDUSTRIES PRIVATE LTD .	INDIA
1.141.2	SPX VALVES & CONTROLS (FORMERLY DEZURIK)	INDIA
1.142	VALVE CRYOGENIC SS /LTCS	
A	INDIAN BIDDERS	
1.142.1	AMPO, S.COOP (POYAM VALVES)	INDIA
1.142.2	BOTELI VALVE GROUP CO.	INDIA
1.142.3	VELAN INC	INDIA
1.143	VALVE SPECIAL CATEGORY	
A	INDIAN BIDDERS	
1.143.1	ADAMS ARMATUREN GMBH	INDIA
1.143.2	AMPO VALVES INDIA PVT LTD	INDIA
1.143.3	AMPO, S.COOP (POYAM VALVES)	INDIA
1.143.4	CESARE BONNETTI S.P.A.	INDIA
1.143.5	L & T VALVES LIMITED	INDIA
1.143.6	PENTAIR VALVES & CONTROLS INDIA PVT LTD	INDIA
1.143.7	SCHUF SPECIALITY VALVES INDIA PVT LTD	INDIA
1.144	VALVE TANK BOTTOM/FLUSH BOTTOM	
A	INDIAN BIDDERS	
1.144.1	MICROFINISH VALVES PVT LIMITED	INDIA
1.144.2	SCHUF SPECIALITY VALVES INDIA PVT LTD	INDIA
1.145	HASTELLOY PIPING COMPONENTS	
A	INDIAN BIDDERS	
1.145.1	TITANIUM TANTALUM PRODUCTS INDIA	INDIA
1.145.2	SAI TITANIUM PRODUCTS PVT. LTD. INDIA	INDIA
1.145.3	TITANIUM TECHNIQUES INDIA	INDIA
1.145.4	D.K. CORPORATION INDIA	INDIA
1.145.5	SANGHVI BOTHRA ENGG. CO. PVT. LTD. INDIA	INDIA
1.145.6	LARSEN & TURBO INDIA	INDIA
1.145.7	TINITA ENGINEERING PRIVATE LIMITED INDIA	INDIA
1.145.8	JLS INTERNATIONAL INDIA	INDIA
1.145.9	SHALCO INDUSTRIES PVT LTD INDIA	INDIA
1.145.10	NEEKA TUBES INDIA	INDIA

VENDOR LIST		
Sr.No	VENDOR NAME	COUNTRY
1.145.11	LOTERIOS	INDIA
1.146	TITANIUM PIPING COMPONENTS	
A	INDIAN BIDDERS	
1.146.1	TITANIUM TANTALUM PRODUCTS INDIA	INDIA
1.146.2	SAI TITANIUM PRODUCTS PVT. LTD. INDIA	INDIA
1.146.3	TITANIUM TECHNIQUES INDIA	INDIA
1.146.4	D.K. CORPORATION INDIA	INDIA
1.146.5	SANGHVI BOTHRA ENGG. CO. PVT. LTD. INDIA	INDIA
1.146.6	LARSEN & TURBO INDIA	INDIA
1.146.7	TINITA ENGINEERING PRIVATE LIMITED INDIA	INDIA
1.146.8	JLS INTERNATIONAL INDIA	INDIA
1.146.9	SHALCO INDUSTRIES PVT LTD INDIA	INDIA
1.146.10	NEEKA TUBES INDIA	INDIA
1.146.11	LOTERIOS	INDIA
1.147	LOW PRESSURE DROP BALL CHECK VALVE	
A	INDIAN BIDDERS	
1.148	EXPANSION JOINT (METAL)	
A	INDIAN BIDDERS	
1.148.1	METALLIC BELLOWS (ONLY FOR PIPING) INDIA	INDIA
1.148.2	FLEXICAN BELLOWS (ONLY FOR PIPING) INDIA	INDIA
1.148.3	LONESTAR INDUSTRIES INDIA	INDIA
1.148.4	WITZENMANN GMBH INDIA	INDIA
1.149	EXPANSION JOINT (PRESSURE BALANCE)	
A	INDIAN BIDDERS	
1.149.1	FLEXICAN BELLOWS & HOSES PVT. LTD.	INDIA
1.150	BIRD SCREEN	
A	INDIAN BIDDERS	
1.150.1	SUNRISE PROCESS EQUIPMENTS	INDIA
1.150.2	ESFOUR ENGINEERING	INDIA
1.150.3	NJ TECH ENGINEERING	INDIA
1.151	EYE WASHER & SAFETY SHOWER	
A	INDIAN BIDDERS	
1.151.1	FRANCIS LESLIE & CO INDIA	INDIA

VENDOR LIST		
Sr.No	VENDOR NAME	COUNTRY
1.151.2	PRADEEP SAFETY PVT LTD. INDIA	INDIA
1.151.3	STAR ENGINEERS INDIA	INDIA
1.151.4	UNICARE EMERGENCY EQUIPMENT INDIA	INDIA
1.151.5	CREATIVE ENGINEERS INDIA	INDIA
1.151.6	TYCO FIRE AND INETRATED SOLUTIONS	INDIA
1.152	INSULATING GASKET	
A	INDIAN BIDDERS	
1.152.1	GOODRICH GASKET PRIVATE LIMITED	INDIA
1.152.2	IGP ENGINEERS PVT LTD	INDIA
1.153	POST INDICATOR VALVES	
A	INDIAN BIDDERS	
1.153.1	L&T VALVES - INDIA	INDIA
1.153.2	AMPO POYAM- INDIA	INDIA
1.153.3	TRILLIUM FLOW TECHNOLOGIES INDIA PRIVATE LIMITED- INDIA (FORMERLY WEIR BDK VALVES – A UNIT OF WEIR INDIA PRIVATE LIMITED)	INDIA
1.154	COPPER TUBING	
A	INDIAN BIDDERS	
1.154.1	ALCOBEX METALS PVT. LTD. INDIA	INDIA
1.154.2	MULTIMETALS LTD. INDIA	INDIA
1.154.3	RAJCO METAL INDUSTRIES PVT. LTD. INDIA	INDIA
1.154.4	INDUSTRIAL TUBES INDIA	INDIA
1.154.5	KAMANI TUBES INDIA	INDIA
1.154.6	HINDUSTAN STEEL & METAL WORKS INDIA	INDIA
1.154.7	RELIANCE ENGINEERS LTD	INDIA
1.154.8	MEHTA TUBES LIMITED	INDIA
1.155	3-WAY VALVES	
A	INDIAN BIDDERS	
1.155.1	2L Engineers	INDIA
1.155.2	Rajeev & Company	INDIA
1.155.3	Flow Chem Industries	INDIA
1.155.4	General Engineering Consortium	INDIA
1.155.5	Asian Industrial Valves and Instruments	INDIA
1.156	LTCS (LOW TEMPERATURE CARBAN STEEL) FLANGE	

VENDOR LIST		
Sr.No	VENDOR NAME	COUNTRY
A	INDIAN BIDDERS	
1.156.1	ANANDMAYEE FORGINGS PVT LTD	INDIA
1.156.2	BHARAT FORGE LTD.	INDIA
1.156.3	BRITEX ENGINEERING WORKS	INDIA
1.156.4	CD ENGINEERING CO.	INDIA
1.156.5	CD INDUSTRIES	INDIA
1.156.6	CHANDAN STEEL LTD	INDIA
1.156.7	CHW FORGE PVT LTD (FR. CHAUDHRY HAMMER)	INDIA
1.156.8	ECHJAY INDUSTRIES PVT LTD. (RAJKOT)	INDIA
1.156.9	FIVEBROS FORGINGS PVT.LTD.	INDIA
1.156.10	GOOD LUCK ENGINEERING CO.	INDIA
1.156.11	HILTON METAL FORGING LIMITED	INDIA
1.156.12	JAV FORGINGS (P) LTD	INDIA
1.156.13	KUNJ FORGINGS PVT LTD	INDIA
1.156.14	LAL METAL FORGE LTD	INDIA
1.156.15	METAL FORGINGS PVT LTD	INDIA
1.156.16	P.K.TUBES & FITTINGS PVT.LTD.	INDIA
1.156.17	PARAMOUNT FORGE	INDIA
1.156.18	PRADEEP METAL LIMITED	INDIA
1.156.19	R D FORGE	INDIA
1.156.20	SANGHVI FORGINGS & ENGINEERING LTD	INDIA
1.156.21	UTSAH ENGINEERING PVT LTD(A CD ENGG COMP	INDIA
1.156.22	VIRAJ PROFILES LIMITED	INDIA
1.156.23	MAXELL FORGE INDUSTRIES	INDIA
1.156.24	GAYATRI FORGE PVT LTD	INDIA
1.156.25	MAASS FLANGE INDIA PVT. LTD	INDIA
1.156.26	K S PIPE FITTINGS PRIVATE LIMITED	INDIA
5.1	SWITCHBOARD-HV (Indoor) WITH VCB BREAKER (complete)	
A	Indian Bidders	
5.1.1	ABB India Ltd	Nashik, INDIA
5.1.2	BHEL	INDIA
5.1.3	CG Power and Industrial Solutions Ltd	INDIA
5.1.4	Jyoti Limited	INDIA

VENDOR LIST		
Sr.No	VENDOR NAME	COUNTRY
5.1.5	Larsen & Toubro Ltd	INDIA
5.1.6	Megawin Switchgear P Ltd	INDIA
5.1.7	Schneider Electric Infra. Ltd	INDIA
5.1.8	Siemens Limited	INDIA
5.2	SWITCHBOARD-MV: MCC/ASB/LDB-FIXED TYP	
A	Indian Bidders	
5.2.1	ABB India Ltd	INDIA
5.2.2	C & S Electric Ltd	INDIA
5.2.3	Controls & Schematics Ltd	INDIA
5.2.4	Larsen & Toubro Ltd	INDIA
5.2.5	M.K. Engineers & Controls Pvt. Ltd.	INDIA
5.2.6	Schneider Electric India Pvt Ltd	INDIA
5.2.7	Siemens Ltd	INDIA
5.3	SWITCHBOARD-M.V. : MCC/PCC/PMCC-DRAWOUT	
A	Indian Bidders	
5.3.1	ABB India Ltd	INDIA
5.3.2	C & S Electric Ltd	INDIA
5.3.3	Controls & Schematics Ltd	INDIA
5.3.4	Larsen & Toubro Ltd	INDIA
5.3.5	Schneider Electric India Pvt Ltd	INDIA
5.3.6	Siemens Ltd	INDIA
5.4	SWITCHBOARD FIXED TYPE FOR PACKAGE EQUIPTS	
A	Indian Bidders	
5.4.1	Accusonic Controls Pvt Ltd	INDIA
5.4.2	Dharia Switchgear & Control.	INDIA
5.4.3	Electro Allied Products	INDIA
5.4.4	Larsen & Toubro Ltd	INDIA
5.4.5	M.K. Engineers & Controls Pvt. Ltd.	INDIA
5.4.6	Maktel Systems	INDIA
5.4.7	Nitya Electro Controls	INDIA
5.4.8	Popular Switchgears Pvt Ltd	INDIA
5.4.9	Positronics Pvt Ltd	INDIA
5.4.10	Tricolite Electrical Industries Pvt Ltd	INDIA

VENDOR LIST		
Sr.No	VENDOR NAME	COUNTRY
5.4.11	Vidhyut Control (India) Pvt Ltd	INDIA
5.4.12	Zenith Engineering Corp.	INDIA
5.5	OUTDOOR SWITCHYARD PACKAGE	
A	Indian Bidders	
5.5.1	ABB India Ltd	INDIA
5.5.2	BGR Energy	INDIA
5.5.3	Bharat Bijlee Limited	INDIA
5.5.4	CG Power and Industrial Solutions Ltd	INDIA
5.5.5	GE T&D India Ltd	INDIA
5.5.6	Godrej & Boyce Mfg. Co. Ltd	INDIA
5.5.7	KEC International	INDIA
5.5.8	L&T	INDIA
5.5.9	Siemens	INDIA
5.5.10	Sterling & Wilson India	INDIA
5.5.11	Toshiba Transmission & Distribution Systems (India) Private Limited	INDIA
5.6	GIS upto 245kV (Indoor)	
A	Indian Bidders	
5.6.1	ABB India Ltd	INDIA
5.6.2	GE T&D India Ltd	INDIA
5.6.3	CG Power and Industrial Solutions Ltd (upto 33 kV only)	INDIA
5.6.4	Schneider Electric India Pvt Ltd	INDIA
5.6.5	Siemens India	INDIA
5.6.6	Toshiba Transmission & Distribution Systems (India) Private Limited	INDIA
5.7	RELAY & CONTROL PANEL	
A	Indian Bidders	
5.7.1	ABB India Ltd	INDIA
5.7.2	Danish Private Limited	INDIA
5.7.3	Easun Reyrolle Ltd	INDIA
5.7.4	Enpro Industrial Automation Pvt Ltd	INDIA
5.7.5	GE T&D India Limited	INDIA
5.7.6	Schneider Electric India Pvt Ltd	INDIA
5.7.7	Siemens Limited	INDIA
5.7.8	Toshiba Transmission & Distribution Systems (India) Private Limited	INDIA

VENDOR LIST		
Sr.No	VENDOR NAME	COUNTRY
5.8	PROTECTION RELAY (NUMERICAL TYPE)	
A	Indian Bidders	
5.8.1	ABB India Ltd	INDIA
5.8.2	Easun Reyrolle Ltd	INDIA
5.8.3	GE T&D India Limited	INDIA
5.8.4	L & T	INDIA
5.8.5	Schneider Electric India Pvt Ltd	INDIA
5.8.6	Schweitzer Engineering Laboratories	INDIA
5.8.7	Siemens Ltd.	INDIA
5.8.8	Toshiba Transmission & Distribution Systems (India) Private Limited	INDIA
5.9	AUX. RELAYS	
A	Indian Bidders	
5.9.1	ABB India Ltd	INDIA
5.9.2	C&S Electric Ltd	INDIA
5.9.3	Easun Reyrolle Ltd	INDIA
5.9.4	GE T&D India Limited	INDIA
5.9.5	Jyoti Ltd	INDIA
5.9.6	L & T	INDIA
5.9.7	OMRON	INDIA
5.9.8	Schneider Electric India Pvt. Ltd	INDIA
5.9.9	Siemens Ltd	INDIA
5.10	BIMETAL RELAYS	
A	Indian Bidders	
5.10.1	ABB India Ltd	INDIA
5.10.2	C&S Electric Ltd	INDIA
5.10.3	GE T&D India Limited	INDIA
5.10.4	L & T	INDIA
5.10.5	Schneider Electric India Pvt. Ltd	INDIA
5.10.6	Siemens Ltd	INDIA
5.11	ELECTRIC CONTROL SYSTEM (ECS) / SCADA / PMS	
A	Indian Bidders	
5.11.1	ABB India Ltd	INDIA
5.11.2	BHEL	INDIA

VENDOR LIST		
Sr.No	VENDOR NAME	COUNTRY
5.11.3	Emerson Process Management India Pvt Ltd	INDIA
5.11.4	Honeywell Automation India Ltd.	INDIA
5.11.5	Rockwell Automation India	INDIA
5.11.6	Schneider Electric Infrastructure Ltd (also known as Invensys)	INDIA
5.11.7	Schweitzer Engineering Laboratories	INDIA
5.11.8	Siemens Ltd	INDIA
5.12	INSTRUMENT TRANSFORMERS – CT & PT (HV)	
A	Indian Bidders	
5.12.1	ABB India Ltd	Vadodara, INDIA
5.12.2	Electrical Controls & Systems	INDIA
5.12.3	Kalpa Elektrikal Pvt Ltd	INDIA
5.12.4	Kappa Electricals	INDIA
5.12.5	Megawin Switchgear P Ltd	INDIA
5.12.6	Pragati Electricals Pvt. Ltd.	INDIA
5.12.7	Schneider Electric India Pvt. Ltd	INDIA
5.12.8	Siemens Ltd	INDIA
5.13	INSTRUMENT TRANSFORMERS – CT & PT (MV)	
A	Indian Bidders	
5.13.1	C&S Electric Limited	INDIA
5.13.2	Gilbert & Maxwell Electricals Pvt. Ltd	INDIA
5.13.3	Kalpa Elektrikal Pvt Ltd	INDIA
5.13.4	Kappa Electricals	INDIA
5.13.5	L&T Ltd.	INDIA
5.13.6	Narayan Powertech Pvt. Ltd.	INDIA
5.13.7	Pragati Electricals Pvt. Ltd.	INDIA
5.13.8	Precise Electricals	INDIA
5.13.9	Silkaans Electricals Pvt. Ltd.	INDIA
5.14	CIRCUIT BREAKER SF-6 /OUT DOOR EHV	
A	Indian Bidders	
5.14.1	ABB India Ltd	INDIA
5.14.2	BHEL	Bhopal, INDIA
5.14.3	CG Power and Industrial Solutions Ltd	INDIA
5.14.4	GE T&D India Ltd	INDIA

VENDOR LIST		
Sr.No	VENDOR NAME	COUNTRY
5.14.5	Siemens Ltd	INDIA
5.14.6	Toshiba Transmission & Distribution Systems (India) Private Limited	INDIA
5.15	VACCUM CIRCUIT BREAKERS	
A	Indian Bidders	
5.15.1	L & T Ltd (Tamco)	INDIA
5.15.2	Siemens Ltd	INDIA
5.15.3	Schneider Electric India Pvt. Ltd	INDIA
5.15.4	ABB India Ltd	INDIA
5.15.5	BHEL	INDIA
5.15.6	CG Power and Industrial Solutions Ltd	INDIA
5.15.7	Megawin Switchgear P Ltd	INDIA
5.15.8	Jyoti Ltd	INDIA
5.16	AIR CIRCUIT BREAKER	
A	Indian Bidders	
5.16.1	ABB Ltd	INDIA
5.16.2	C&S Electric Limited	INDIA
5.16.3	GE T&D India Ltd	INDIA
5.16.4	L & T Ltd	INDIA
5.16.5	Schneider Electric India Pvt. Ltd	INDIA
5.16.6	Siemens Ltd	INDIA
5.17	ISOLATORS / LOAD BREAK SWITCHES (HV INDOOR)	
A	Indian Bidders	
5.17.1	Driescher Panickker Switchgear Ltd India	INDIA
5.17.2	Siemens Ltd	INDIA
5.17.3	S & S Power Switchgear Ltd	INDIA
5.18	CONTACTOR	
A	Indian Bidders	
5.18.1	ABB India Ltd	INDIA
5.18.2	BCH Electric Ltd	INDIA
5.18.3	C&S Electric Ltd	INDIA
5.18.4	GE T&D India Limited	INDIA
5.18.5	L & T	INDIA
5.18.6	Schneider Electric India Pvt. Ltd	INDIA

VENDOR LIST

Sr.No	VENDOR NAME	COUNTRY
5.18.7	Siemens Ltd	INDIA
5.19	MCCB	
A	Indian Bidders	
5.19.1	ABB India Ltd	INDIA
5.19.2	GE T&D India Limited	INDIA
5.19.3	Havells India Ltd	INDIA
5.19.4	Larsen & Toubro Ltd	INDIA
5.19.5	Schneider Electric India Pvt Ltd	INDIA
5.19.6	Siemens Ltd	INDIA
5.2	TIMERS	
A	Indian Bidders	
5.20.1	Electronic Automation Pvt Ltd	INDIA
5.20.2	Honeywell Automation India Limited	INDIA
5.20.3	ICA Pvt. Limited (Omron)	INDIA
5.20.4	Larsen & Toubro Ltd	INDIA
5.20.5	OEN	INDIA
5.20.6	Siemens Limited	INDIA
5.20.7	GE T&D India Limited	INDIA
5.21	PUSH BUTTON & INDICATING LAMPS (Independent supply / Retrofitting / Alteration / Modification work)	
A	Indian Bidders	
5.21.1	C & S Electric Ltd	INDIA
5.21.2	Essen Deinki	INDIA
5.21.3	Hotline Switchgear & Controls	INDIA
5.21.4	Larsen & Toubro Ltd	INDIA
5.21.5	Precifine Products Pvt. Ltd.	INDIA
5.21.6	Schneider Electric India Pvt Ltd	INDIA
5.21.7	Shri Tulsi Switchgears Pvt Ltd	INDIA
5.21.8	Siemens Limited	INDIA
5.21.9	Teknic Electric (I) Pvt. Ltd.	INDIA
5.22	MCB (Independent supply / Retrofitting / Alteration / Modification work)	
A	Indian Bidders	
5.22.1	ABB India Ltd	INDIA

VENDOR LIST		
Sr.No	VENDOR NAME	COUNTRY
5.22.2	C & S Electric Ltd	INDIA
5.22.3	Havells India Ltd	INDIA
5.22.4	Novateur Electrical & Digital Systems P	INDIA
5.22.5	Indiana Current Control Ltd	INDIA
5.22.6	Legrand (India) Pvt. Ltd	INDIA
5.22.7	Siemens Limited	INDIA
5.22.8	Standard Electricals Ltd	INDIA
5.22.9	Schneider Electric India Pvt Ltd	INDIA
5.23	HEAVY DUTY SWITCHES (Independent supply / Retrofitting / Alteration / Modification work)	
A	Indian Bidders	
5.23.1	C & S Electric Ltd	INDIA
5.23.2	Larsen & Toubro Ltd	INDIA
5.23.3	Novateur Electrical & Digital Systems P	INDIA
5.23.4	Siemens Ltd	INDIA
5.24	CONTROL SWITCHES FOR BREAKER (Independent supply / Retrofitting / Alteration / Modification work)	
A	Indian Bidders	
5.24.1	GE T&D India Limited	INDIA
5.24.2	Reliable Electronic Components Pvt Ltd	INDIA
5.24.3	Switron Devices	INDIA
		INDIA
5.25	CONTROL SWITCHES / SELECTOR SWITCHES (Independent supply / Retrofitting / Alteration / Modification work)	INDIA
A	Indian Bidders	
5.25.1	GE T&D India Limited	INDIA
5.25.2	Hotline Switchgear & Controls	INDIA
5.25.3	Kaycee Industries Ltd.	INDIA
5.25.4	Larsen & Toubro Ltd	INDIA
5.25.5	Reliable Electronic Components Pvt Ltd	INDIA
5.25.6	Siemens Limited	INDIA
5.25.7	Switron Devices	INDIA

VENDOR LIST		
Sr.No	VENDOR NAME	COUNTRY
5.26	EARTH LEAKAGE CIRCUIT BREAKER (Independent supply / Retrofitting / Alteration / Modification work)	
A	Indian Bidders	
5.26.1	ABB India Ltd	INDIA
5.26.2	GE T&D India Limited	INDIA
5.26.3	Havells India Ltd	INDIA
5.26.4	Legrand (India) Pvt. Ltd	INDIA
5.26.5	Novateur Electrical & Digital Systems P	INDIA
5.26.6	Schneider Electric India Pvt Ltd	INDIA
5.26.7	Siemens Ltd	INDIA
5.27	FUSES (Independent supply / Retrofitting / Alteration / Modification work)	
A	Indian Bidders	
5.27.1	Cooper Bussman India Pvt Ltd	INDIA
5.27.2	GE T&D India Limited	INDIA
5.27.3	Havells India Ltd	INDIA
5.27.4	Larsen & Toubro Ltd	INDIA
5.27.5	Novateur Electrical & Digital Systems P	INDIA
5.27.6	Siemens Ltd	INDIA
5.28	TRANSFORMERS-POWER-ABOVE 5MVA	
A	Indian Bidders	
5.28.1	Bharat Bijlee Limited	INDIA
5.28.2	BHEL	INDIA
5.28.3	CG Power and Industrial Solutions Ltd (Power Transformers Division T3)	INDIA
5.28.4	EMCO Limited	INDIA
5.28.5	GE T&D India Ltd	INDIA
5.28.6	Kirloskar Electric Co Ltd	INDIA
5.28.7	Schneider Electric India Pvt Ltd	INDIA
5.28.8	Toshiba Transmission & Distribution Systems (India) Private Limited	INDIA
5.28.9	Voltamp Transformers Ltd	INDIA
5.29	TRANSFORMERS-DISTRIBUTION-UPTO 5MVA	
A	Indian Bidders	
5.29.1	Bharat Bijlee Limited	INDIA
5.29.2	CG Power and Industrial Solutions Ltd (Power Transformers Division T3)	INDIA

VENDOR LIST		
Sr.No	VENDOR NAME	COUNTRY
5.29.3	EMCO Limited	INDIA
5.29.4	Kirloskar Electric Co Ltd	INDIA
5.29.5	Kirloskar Power Equipments Ltd	INDIA
5.29.6	Pete - Hammond Power Solutions Pvt Ltd.	INDIA
5.29.7	Raychem RPG Ltd. (Canara Electric Divn)	INDIA
5.29.8	RIMA Transformers And Conductors Ltd	INDIA
5.29.9	Schneider Electric India Pvt Ltd	INDIA
5.29.10	Transformers & Rectifiers (I) Ltd	INDIA
5.29.11	Vijay Electricals	INDIA
5.29.12	Voltamp Transformers Ltd	INDIA
5.30	TRANSFORMER-DISTRIBUTION (DRY TYPE)	
A	Indian Bidders	
5.30.1	Automatic Electric Ltd	INDIA
5.30.2	Bharat Bijlee	INDIA
5.30.3	BHEL	INDIA
5.30.4	CAHORS (Transfix)	INDIA
5.30.5	CG Power and Industrial Solutions Ltd (Power Transformers Division T3)	INDIA
5.30.6	Indcoil Products	INDIA
5.30.7	Intra Vidyut Pvt Ltd	INDIA
5.30.8	Kappa Electricals	INDIA
5.30.9	Megawin Switchgear P Ltd	INDIA
5.30.10	Pete - Hammond Power Solutions Pvt Ltd.	INDIA
5.30.11	Raychem Rpg Ltd. (Canara Electric Divn)	INDIA
5.30.12	Sudhir Intra Vidyut Pvt. Ltd	INDIA
5.30.13	Transtron Electricals Pvt Ltd	INDIA
5.30.14	Voltamp Transformers Ltd	INDIA
5.31	DRY TYPE LIGHTING TRANSFORMER (LV)	
A	Indian Bidders	
5.31.1	Automatic Electric	INDIA
5.31.2	Bharat Bijlee	INDIA
5.31.3	BHEL	INDIA
5.31.4	CG Power And Industrial Solutions Ltd	INDIA
5.31.5	Indcoil Products	INDIA

VENDOR LIST		
Sr.No	VENDOR NAME	COUNTRY
5.31.6	Indcoil Transformers	INDIA
5.31.7	Intra Vidyut Pvt. Ltd	INDIA
5.31.8	Kappa Electricals	INDIA
5.31.9	Kirloskar Electric Co. Ltd India	INDIA
5.31.10	Raychem Rpg India	INDIA
5.31.11	Sudhir Intra Vidyut Pvt. Ltd	INDIA
5.31.12	Transtron Electricals Pvt Ltd India	INDIA
5.31.13	Voltamp Transformors	INDIA
5.32	Neutral Grounding Resistors/Transformers (NGR / NGT)	
A	Indian Bidders	
5.32.1	Iresco Electricals Pvt. Ltd. India	INDIA
5.32.2	National Switchgears	INDIA
5.32.3	Resitech Electricals Pvt Ltd	INDIA
5.32.4	RSI Switchgear Pvt Ltd	INDIA
5.32.5	S.R. Narkhede Engineering Pvt Ltd	INDIA
5.33	BUS DUCT (HV)	
A	Indian Bidders	
5.33.1	BHEL	Bhopal/Jhansi, INDIA
5.33.2	C & S Electric Ltd	INDIA
5.33.3	Elemech	INDIA
5.33.4	ENPRO Engineering	INDIA
5.33.5	Globe Electric	INDIA
5.33.6	Larsen & Toubro Ltd	INDIA
5.33.7	Narmada Switchgear Pvt. Ltd.	INDIA
5.33.8	Spearhead Busducts Pvt Ltd	INDIA
5.33.9	Stardrive Busducts Ltd (formerly KGS Engineering Ltd.)	INDIA
5.33.10	United Electric Co (Delhi) Pvt Ltd	INDIA
5.34	BUS DUCT (MV)	
A	Indian Bidders	
5.34.1	Adlec Power Pvt. Ltd.	INDIA
5.34.2	C & S Electric Ltd.	INDIA
5.34.3	Elemech	INDIA

VENDOR LIST		
Sr.No	VENDOR NAME	COUNTRY
5.34.4	Enpro Engineering India	INDIA
5.34.5	Entraco BKS Busducts Pvt Ltd	INDIA
5.34.6	Globe Electrical Ind	INDIA
5.34.7	Intrelec	INDIA
5.34.8	Jasper Engineers Pvt. Ltd,	INDIA
5.34.9	M K Engineers & Controls Pvt Ltd	INDIA
5.34.10	Narmada Switchgear Pvt. Ltd.	INDIA
5.34.11	Stardrive Busducts Ltd (formerly KGS Engineering Ltd.)	INDIA
5.34.12	United Electric Co (Delhi) Pvt Ltd	INDIA
5.35	CAPACITOR BANK (MV/HV) WITH APFC	
A	Indian Bidders	
5.35.1	ABB India Ltd	INDIA
5.35.2	BHEL	INDIA
5.35.3	CG Power and Industrial Solutions Ltd	INDIA
5.35.4	Clariant Power System Ltd	INDIA
5.35.5	Kapsales Electrical Ltd	INDIA
5.35.6	Madhav Capacitors Pvt Ltd	INDIA
5.35.7	Shakti Capacitors	INDIA
5.35.8	Shreem Capacitors Pvt Ltd	INDIA
5.35.9	Shreem Electric	INDIA
5.35.10	Universal Cables Ltd (Unistar)	INDIA
5.36	BATTERIES-LEAD ACID (FLOODED)	
A	Indian Bidders	
5.36.1	Exide Industries Ltd.	INDIA
5.36.2	HBL Power Systems Ltd	INDIA
5.36.3	Amron	INDIA
5.37	BATTERY CHARGERS	
A	Indian Bidders	
5.37.1	Amara Raja Power Systems (P) Ltd	INDIA
5.37.2	Chhabi Electricals Pvt Limited	INDIA
5.37.3	Chloride Power Systems & Solutions Ltd	INDIA
5.37.4	Dubas Engineering Pvt Ltd	INDIA
5.37.5	HBL Power Systems Ltd	INDIA

VENDOR LIST		
Sr.No	VENDOR NAME	COUNTRY
5.37.6	Mass-Tech Controls Pvt Ltd	INDIA
5.37.7	Universal Instrument Mfg Co Pvt Ltd	INDIA
5.37.8	Borri Power India Pvt Ltd (Subsidiary of Borri SpA, Italy)	INDIA
5.38	BATTERIES-LEAD ACID (VRLA)	
A	Indian Bidders	
5.38.1	Amara Raja Batteries Ltd	INDIA
5.38.2	Exide Industries Ltd.	INDIA
5.38.3	HBL Power Systems Ltd	INDIA
5.38.4	NED Energy Limited	INDIA
5.38.5	Kirloskar Batteries Ltd	INDIA
5.39	BATTERIES-NICKLE CADMIUM	
A	Indian Bidders	
5.39.1	Amco Saft India Ltd	INDIA
5.39.2	HBL Power Systems Ltd	INDIA
5.40	UPS SYSTEM	
A	Indian Bidders	
5.40.1	Ametek Solid State Controls	INDIA
5.40.2	Borri Power India Pvt Ltd	INDIA
5.40.3	Consul Neowatt Power Solutions Pvt Ltd	INDIA
5.40.4	DB Power Electronics (P) Ltd	INDIA
5.40.5	Gutor Electronics Ltd	INDIA
5.40.6	Hitachi Hi-Rel Power Electronics Ltd	INDIA
5.40.7	Toshiba Mitsubishi-Electric Industrial System Corporation (TMEIC Industrial Systems India Private Limited)	INDIA
5.40.8	Vertiv Energy Private Limited	INDIA
5.41	A.C. VARIABLE SPEED DRIVE / VARIABLE FREQUENCY DRIVE (VFD)	
A	Indian Bidders	
5.41.1	ABB India Ltd	INDIA
5.41.2	Alstom Projects India Ltd	INDIA
5.41.3	APS Power Systems Pvt. Ltd.	INDIA
5.41.4	Baldor Electric Company	INDIA
5.41.5	BHEL	Bangalore, INDIA
5.41.6	Control Technique India Pvt Ltd	INDIA

VENDOR LIST		
Sr.No	VENDOR NAME	COUNTRY
5.41.7	Danfoss Industries Pvt Ltd	INDIA
5.41.8	Eurotherm Del India Limited	INDIA
5.41.9	GE Energy Power Conversion France SAS	INDIA
5.41.10	Hitachi Hirel Power Electronics Pvt. Ltd	INDIA
5.41.11	Larsen & Toubro Ltd	INDIA
5.41.12	NIDEC Corporation	INDIA
5.41.13	Rockwell Automation India Pvt Ltd	INDIA
5.41.14	Schneider Electric India Pvt. Ltd	INDIA
5.41.15	Siemens Ltd	INDIA
5.41.16	Spectrum Automation And Controls	INDIA
5.41.17	Toshiba Mitsubishi-Electric Industrial System Corporation	INDIA
5.41.18	Vacon Controls And Drives Pvt. Ltd	INDIA
5.42	LIGHTNING ARRESTORS	
A	Indian Bidders	
5.42.1	ABB India Ltd	INDIA
5.42.2	CG Power and Industrial Solutions Ltd	INDIA
5.42.3	Elpro International Ltd	INDIA
5.42.4	Oblum Electrical Ind Pvt Ltd	INDIA
5.42.5	Siemens Ltd	INDIA
5.42.6	W. Insulation of India	INDIA
5.43	EARTHING & LIGHTNING PROTECTION	
A	Indian Bidders	
5.43.1	Controls & Switchgear Co.Ltd	INDIA
5.43.2	Metalite Industries India	INDIA
5.43.3	Premier Power Products Cal Pvt. Ltd	INDIA
5.43.4	Vatco Elec Power Pvt Ltd	INDIA
5.44	MOTOR-INDUCTION-HV (INDUSTRIAL. TYPE SAFE AREA, EXD/EXE)	
A	Indian Bidders	
5.44.1	ABB India Ltd	INDIA
5.44.2	BHEL	INDIA
5.44.3	CG Power and Industrial Solutions Ltd.	INDIA
5.44.4	Deumont Electric	INDIA
5.44.5	Fuji Electric India Pvt Ltd	INDIA

VENDOR LIST		
Sr.No	VENDOR NAME	COUNTRY
5.44.6	Hitachi Ltd	INDIA
5.44.7	Kirloskar Electric Co Ltd	INDIA
5.44.8	Marathon Electric Motor I Ltd	INDIA
5.44.9	Siemens	INDIA
5.44.10	TMEIC Industrial Systems India Pvt Ltd	INDIA
5.44.11	Toshiba Mitsubishi-Electric Industrial System Corporation	INDIA
5.44.12	WEG	INDIA
5.45	MOTOR-INDUCTION (HV INCREASED SAFETY ZN2, FLP/PRESSURIZED)	
A	Indian Bidders	
5.45.1	ABB India Ltd	INDIA
5.45.2	Alstom Ltd	INDIA
5.45.3	BHEL	INDIA
5.45.4	CG Power and Industrial Solutions Ltd	INDIA
5.45.5	GE Power India Ltd	INDIA
5.45.6	Kirloskar Electric Co Ltd	INDIA
5.45.7	Marathon Electric Motor I Ltd	INDIA
5.45.8	TMEIC Industrial Systems India Pvt Ltd	INDIA
5.46	MOTOR INDUCTION-MV (INDL.TYPE SAFE AREA, EXD/EXE)	
A	Indian Bidders	
5.46.1	ABB India Ltd	INDIA
5.46.2	Bharat Bijlee Limited	INDIA
5.46.3	CG Power & Industrial Solutions Ltd.	INDIA
5.46.4	Kirloskar Electric Co Ltd	INDIA
5.46.5	Laxmi Hydraulics Pvt Ltd	INDIA
5.46.6	Marathon Electric Motor I Ltd	INDIA
5.46.7	NIDEC (Formerly Ansaldo System Indust/Asirobicon)	INDIA
5.46.8	Siemens Limited	INDIA
5.46.9	TMEIC Industrial Systems India Pvt Ltd	INDIA
5.47	MOTOR-INDUCTION- MV (ZONE 2-TYPE E & N, FLP/PRESSURIZED)	
A	Indian Bidders	
5.47.1	ABB India Ltd	INDIA
5.47.2	Bharat Bijlee Limited	INDIA
5.47.3	CG Power & Industrial Solutions Ltd.	INDIA

VENDOR LIST		
Sr.No	VENDOR NAME	COUNTRY
5.47.4	Kirloskar Electric Co Ltd	INDIA
5.47.5	Laxmi Hydraulics Pvt Ltd	INDIA
5.47.6	Marathon Electric Motor I Ltd	INDIA
5.47.7	TMEIC Industrial Systems India Pvt Ltd	INDIA
5.47.8	WEG Electric India Pvt Ltd	INDIA
5.48	MOTOR-INDUCTION-MV (FLAME PROOF)	
A	Indian Bidders	
5.48.1	ABB India Ltd	INDIA
5.48.2	Bharat Bijlee Limited	INDIA
5.48.3	CEMP	INDIA
5.48.4	CG Power & Industrial Solutions Ltd.	INDIA
5.48.5	Kirloskar Electric Co Ltd	INDIA
5.48.6	Laxmi Hydraulics Pvt Ltd	INDIA
5.48.7	Marathon Electric Motor I Ltd	INDIA
5.48.8	Siemens Limited	INDIA
5.48.9	TMEIC Industrial Systems India Pvt Ltd	INDIA
5.49	SYNCHRONOUS MOTOR	
A	Indian Bidders	
5.49.1	ABB India Ltd	INDIA
5.49.2	BHEL	INDIA
5.49.3	GE Energy Power Conversion France SAS	INDIA
5.49.4	Hitachi Ltd	INDIA
5.49.5	NIDEC Corporation	INDIA
5.49.6	Siemens Ltd	INDIA
5.49.7	Toshiba Mitsubishi-Electric Industrial System Corporation (TMEIC Industrial Systems India Pvt Ltd)	INDIA
5.50	MOTORS - IMPORTED	
A	Indian Bidders	Nil
5.51	SYNCHRONOUS GENERATORS (HV)	
A	Indian Bidders	
5.51.1	ABB India Ltd	INDIA
5.51.2	Andritz Hydro Pvt Ltd	INDIA
5.51.3	AVK Deutschland Gmbh & Co. Kg	INDIA

VENDOR LIST		
Sr.No	VENDOR NAME	COUNTRY
5.51.4	T D Power Systems Limited	INDIA
5.51.5	Toshiba Mitsubishi-Electric Industrial System Corporation	INDIA
5.52	DG SET / EMERGENCY GENERATORS (MV)	
A	Indian Bidders	
5.52.1	BHEL	INDIA
5.52.2	CG Power and Industrial Solutions Ltd	INDIA
5.52.3	Clarke Energy System	INDIA
5.52.4	Cummins Genrator Technolgies I Ltd	INDIA
5.52.5	Diesel Locomotive Works	INDIA
5.52.6	Greaves Cotton Ltd.	INDIA
5.52.7	Jaksons Limited	INDIA
5.52.8	Jeevan Diesels & Electrical Ltd	INDIA
5.52.9	Kirloskar Oil Engines Ltd	INDIA
5.52.10	Man B & W Diesel Ltd	INDIA
5.52.11	Nishishiba Electic Co. Ltd	INDIA
5.52.12	Powerica Ltd	INDIA
5.52.13	Rai Industrial Power Pvt. Ltd.	INDIA
5.52.14	Sterling Generators Pvt. Ltd.	INDIA
5.52.15	Sudhir Power Ltd	INDIA
5.52.16	TIL Limited (Sahibabad Works)	INDIA
5.52.17	Trading Engineers(International) Ltd	INDIA
5.52.18	Wartsila India Ltd	INDIA
5.53	ACTUATORS-MOV	
A	Indian Bidders	
5.53.1	Auma India Private Ltd	INDIA
5.53.2	Automatic Electric Ltd	INDIA
5.53.3	Cair Euromatic Automation Pvt Ltd	INDIA
5.53.4	Caldyne Automatic (P) Ltd	INDIA
5.53.5	Flowserve Limatorque	INDIA
5.53.6	Hind Rectifier Ltd	INDIA
5.53.7	Limatorque India Limited	INDIA
5.53.8	Marsh Automation Pvt. Ltd.	INDIA
5.53.9	Rotork Controls (India) Ltd	INDIA

VENDOR LIST		
Sr.No	VENDOR NAME	COUNTRY
5.54	CONTROL STATIONS- WEATHERPROOF	
A	Indian Bidders	
5.54.1	Baliga Lighting Equipments (P) Limited	INDIA
5.54.2	Electrical Equipment Corporation	INDIA
5.54.3	Ex-Protecta	INDIA
5.54.4	FCG Flamproof Control Gears P. Ltd	INDIA
5.54.5	FCG Power Industries Pvt Ltd	INDIA
5.54.6	Flameproof Equipments Pvt.Ltd	INDIA
5.54.7	Flexpro Electricals Pvt Ltd	INDIA
5.54.8	Petroleum Safety Products Ind. Pvt. Ltd.	INDIA
5.54.9	Prompt Engineering Works	INDIA
5.54.10	Sudhir Switchgears Pvt Ltd	INDIA
5.54.11	Victory Luminaires	INDIA
5.55	CONTROL STATIONS / PANEL-FLAME PROOF	
A	Indian Bidders	
5.55.1	Baliga Lighting Equipments (P) Limited	INDIA
5.55.2	Cooper Crouse-Hinds	INDIA
5.55.3	CG Power and Industrial Solutions Ltd	INDIA
5.55.4	FCG Flamproof Control Gears P. Ltd	INDIA
5.55.5	FCG Power Industries Pvt Ltd	INDIA
5.55.6	Flameproof Equipments Pvt.Ltd	INDIA
5.55.7	Flexpro Electricals Pvt Ltd	INDIA
5.55.8	Govan Industries India Pvt Ltd (Pepperl-Fuchs)	INDIA
5.55.9	Kaysons Techno Equipment P Ltd.	INDIA
5.55.10	Petroleum Safety Products Ind. Pvt. Ltd.	INDIA
5.55.11	Prompt Engineering Works	INDIA
5.55.12	R Sthal Pvt Ltd.	INDIA
5.55.13	Sudhir Switchgears Pvt Ltd	INDIA
5.55.14	Victory Luminaires	INDIA
5.56	JUNCTION BOXES (FLAME PROOF)	
A	Indian Bidders	
5.56.1	Baliga Lighting Equipments (P) Limited	INDIA
5.56.2	Cooper Crouse-Hinds	INDIA

VENDOR LIST

Sr.No	VENDOR NAME	COUNTRY
5.56.3	FCG Flamproof Control Gears P. Ltd	INDIA
5.56.4	FCG Power Industries Pvt Ltd	INDIA
5.56.5	Flameproof Equipments Pvt.Ltd	INDIA
5.56.6	Flexpro Electricals Pvt Ltd	INDIA
5.56.7	Govan Industries India Pvt Ltd (Pepperl-Fuchs)	INDIA
5.56.8	Kaysons Techno Equipment P Ltd.	INDIA
5.56.9	Petroleum Safety Products Ind. Pvt. Ltd.	INDIA
5.56.10	Prompt Engineering Works	INDIA
5.56.11	R Stahl Pvt Ltd.	INDIA
5.56.12	Sudhir Switchgears Pvt Ltd	INDIA
5.57	LIGHTING FIXTURE & ACCESSORIES-HAZARDOUS	
A	Indian Bidders	
5.57.1	Bajaj Electricals Ltd	INDIA
5.57.2	Baliga Lighting Equipments (P) Limited	INDIA
5.57.3	Cooper Crouse-Hinds	INDIA
5.57.4	CG Power and Industrial Solutions Ltd	INDIA
5.57.5	FCG Flamproof Control Gears P. Ltd	INDIA
5.57.6	FCG Power Industries Pvt Ltd	INDIA
5.57.7	Flameproof Equipments Pvt.Ltd	INDIA
5.57.8	Flexpro Electricals Pvt Ltd	INDIA
5.57.9	Govan Industries India Pvt Ltd (Pepperl-Fuchs)	INDIA
5.57.10	Kaysons Techno Equipment P Ltd.	INDIA
5.57.11	Petroleum Safety Products Ind. Pvt. Ltd.	INDIA
5.57.12	Prompt Engineering Works	INDIA
5.57.13	R Stahl	INDIA
5.57.14	Sudhir Switchgears Pvt Ltd	INDIA
5.57.15	Victor Product PLC	INDIA
5.58	LIGHTING & POWER PANELS (FLP)	
A	Indian Bidders	
5.58.1	Baliga Lighting Equipments (P) Limited	INDIA
5.58.2	FCG Flamproof Control Gears P. Ltd	INDIA
5.58.3	FCG Power Industries Pvt Ltd	INDIA
5.58.4	Flameproof Equipments Pvt.Ltd	INDIA

VENDOR LIST		
Sr.No	VENDOR NAME	COUNTRY
5.58.5	Flexpro Electricals Pvt Ltd	INDIA
5.58.6	Kaysons Techno Equipment P Ltd.	INDIA
5.58.7	Sudhir Switchgears Pvt Ltd	INDIA
5.59	PLUGS/SOCKETS/HANDLAMPS (FLAME PROOF)	
A	Indian Bidders	
5.59.1	Baliga Lighting Equipments (P) Limited	INDIA
5.59.2	Cooper Crouse-Hinds	INDIA
5.59.3	FCG Flamproof Control Gears P. Ltd	INDIA
5.59.4	FCG Power Industries Pvt Ltd	INDIA
5.59.5	Flameproof Equipments Pvt.Ltd	INDIA
5.59.6	Flexpro Electricals Pvt Ltd	INDIA
5.59.7	Kaysons Techno Equipment P Ltd.	INDIA
5.59.8	Petroleum Safety Products Ind. Pvt. Ltd.	INDIA
5.59.9	Sudhir Switchgears Pvt Ltd	INDIA
5.60	HIGH MAST LIGHTING SYSTEM	
A	Indian Bidders	
5.60.1	Bajaj Electricals Ltd	INDIA
5.60.2	CG Power and Industrial Solutions Ltd	INDIA
5.60.3	Philips Electronics India Limited	INDIA
5.61	LIGHTING FIXTURES (SAFE AREA)	
A	Indian Bidders	
5.61.1	Bajaj Electricals	INDIA
5.61.2	CG Power and Industrial Solutions Ltd	INDIA
5.61.3	GE Lighting	INDIA
5.61.4	Havells India	INDIA
5.61.5	Philips Lighting	INDIA
5.61.6	Surya Roshni India	INDIA
5.61.7	Wipro India	INDIA
5.62	LIGHTING PANEL / POWER PANELS & DISTRIBUTION BOARDS (SAFE AREA)	
A	Indian Bidders	
5.62.1	ABB India Ltd	INDIA
5.62.2	Advance Panels & Switchgear (P) Ltd	INDIA
5.62.3	C & S Electric	INDIA

VENDOR LIST

Sr.No	VENDOR NAME	COUNTRY
5.62.4	Havells India Ltd	INDIA
5.62.5	Indo Asian Fusegear	INDIA
5.62.6	Indo Chem	INDIA
5.62.7	Industrial Switchgear & Controls (Bombay) Pvt. Ltd	INDIA
5.62.8	Intrelec	INDIA
5.62.9	Legrand	INDIA
5.62.10	M.K Engineers & Controls Pvt. Ltd	INDIA
5.62.11	Md Switchgear Ltd	INDIA
5.62.12	Novateur Electrical & Digital Systems Pvt Ltd	INDIA
5.62.13	Standard Electricals	INDIA
5.62.14	Zenith Engineering Corporation	INDIA
5.63	EXTRA HIGH VOLTAGE –XLPE CABLES	
A	Indian Bidders	
5.63.1	Cable Corporation Of India	INDIA
5.63.2	Finolex Cables Ltd.	INDIA
5.63.3	KEC International Ltd (formerly KEC-Rpg Cables Ltd)	INDIA
5.63.4	KEI Industries Limited	INDIA
5.63.5	Polycab Wires Pvt Ltd	INDIA
5.63.6	Sterlite Power Transmission Limited (under Sterlite Technologies Limited)	INDIA
5.63.7	Torrent Cables Ltd	INDIA
5.63.8	Universal Cables Limited	INDIA
5.64	CABLES-HIGH VOLTAGE-XLPE (FRLS)	
A	Indian Bidders	
5.64.1	APAR Industries Ltd	
5.64.2	Cable Corporation of India	INDIA
5.64.3	Finolex Cables Ltd.	INDIA
5.64.4	Gemscab Industries Ltd	INDIA
5.64.5	Gupta Power Infrastructure	INDIA
5.64.6	Havells India Ltd	INDIA
5.64.7	Insucon Cable And Cond Pvt Ltd	INDIA
5.64.8	KEC International Ltd	Vadodara, INDIA
5.64.9	KEI Industries Ltd	INDIA
5.64.10	Polycab Wires Pvt Ltd	INDIA

VENDOR LIST		
Sr.No	VENDOR NAME	COUNTRY
5.64.11	Sterlite Technologies Limited	INDIA
5.64.12	Suraj Cables	INDIA
5.64.13	Torrent Cables Ltd	INDIA
5.64.14	Universal Cables Ltd	INDIA
5.65	MV POWER CABLE - FIRE SURVIVAL (FRLS)	
A	Indian Bidders	
5.65.1	Ajanta Electric	INDIA
5.65.2	Associated Flexibles & Wires [P] Ltd	INDIA
5.65.3	Cords Cable Industries Ltd	INDIA
5.65.4	Gupta Power Infrastructure	INDIA
5.65.5	Havells India Ltd	INDIA
5.65.6	Insucon Cable And Cond Pvt Ltd	INDIA
5.65.7	KEI Industries Limited	INDIA
5.65.8	Polycab Wires Pvt Ltd	INDIA
5.65.9	Suraj Cables	INDIA
5.66	CABLES-MEDIUM VOLTAGE-POWER-XLPE & PVC	
A	Indian Bidders	
5.66.1	Ajanta Electric	INDIA
5.66.2	APAR Industries Ltd	INDIA
5.66.3	Associated Flexibles & Wires [P] Ltd	INDIA
5.66.4	Cable Corporation of India	INDIA
5.66.5	Cords Cable Industries Ltd	INDIA
5.66.6	Finolex Cables Ltd.	INDIA
5.66.7	Gemscab Industries Ltd	INDIA
5.66.8	Gupta Power Infrastructure	INDIA
5.66.9	Havells India Ltd	INDIA
5.66.10	Insucon Cable And Cond Pvt Ltd	INDIA
5.66.11	KEC International Ltd	Silvassa, INDIA
5.66.12	KEI Industries Limited	INDIA
5.66.13	Polycab Wires Pvt Ltd	INDIA
5.66.14	Rallison Electricals Pvt. Ltd.	INDIA
5.66.15	Ravin Cables Pvt Ltd	INDIA
5.66.16	Special Cables Pvt Ltd	INDIA

VENDOR LIST

Sr.No	VENDOR NAME	COUNTRY
5.66.17	Sriram Cables Pvt Ltd	INDIA
5.66.18	Suraj Cables	INDIA
5.66.19	Torrent Cables Ltd	INDIA
5.66.20	Uniflex Cables Ltd	INDIA
5.66.21	Universal Cables Ltd	INDIA
5.67	CABLES: CONTROL-XLPE & PVC	
A	Indian Bidders	
5.67.1	Ajanta Electric	INDIA
5.67.2	Associated Cables Pvt Ltd	INDIA
5.67.3	Associated Flexibles & Wires [P] Ltd	INDIA
5.67.4	Cables Corporation of India	INDIA
5.67.5	CMI Limited	INDIA
5.67.6	Cords Cable Industries Ltd	INDIA
5.67.7	Delton Cables Limited	INDIA
5.67.8	Ecko Cables Pvt. Ltd.	INDIA
5.67.9	Elkay Telelinks Ltd.	INDIA
5.67.10	Finolex Cables Ltd.	INDIA
5.67.11	Gemscab Industries Ltd	INDIA
5.67.12	Havells India Ltd	INDIA
5.67.13	Icon Cable Ltd.	INDIA
5.67.14	Insucon Cables And Cond Pvt Ltd	INDIA
5.67.15	KEC International Ltd	Silvassa, INDIA
5.67.16	KEI Industries Limited	INDIA
5.67.17	North Eastern Cables Pvt. Ltd.	INDIA
5.67.18	Polycab Wires Pvt Ltd	INDIA
5.67.19	Rallison Electricals Pvt. Ltd.	INDIA
5.67.20	Ravin Cables Pvt. Ltd.	INDIA
5.67.21	Reliance Engineers Ltd.	INDIA
5.67.22	Scot Innovation Wires & Cables Pvt. Ltd.	INDIA
5.67.23	Special Cables Pvt. Ltd.	INDIA
5.67.24	Sriram Cables Pvt Ltd	INDIA
5.67.25	Suraj Cables	INDIA
5.67.26	Suyog Electricals	INDIA

VENDOR LIST		
Sr.No	VENDOR NAME	COUNTRY
5.67.27	Thermo Cables Ltd.	INDIA
5.67.28	Torrent Cables Ltd	INDIA
5.67.29	Universal Cables Ltd	INDIA
5.68	CABLES-FIRE ALARM AND COMMN.	
A	Indian Bidders	
5.68.1	CMI Limited	INDIA
5.68.2	Cords Cable Industries Ltd	INDIA
5.68.3	Delton Cables Limited	INDIA
5.68.4	Elkay Telelinks Ltd.	INDIA
5.68.5	KEI Industries Limited	INDIA
5.68.6	Reliance Engineers Ltd	INDIA
5.68.7	Vindhya Telelinks Ltd	INDIA
5.69	CONTROL CABLE - FIRE SURVIVAL (FRLS)	
A	Indian Bidders	
5.69.1	Associated Flexibles & Wires [P] Ltd	INDIA
5.69.2	Cords Cable Industries Ltd	INDIA
5.69.3	Elkay Telelinks Ltd.	INDIA
5.69.4	Havells India Ltd	INDIA
5.69.5	Icon Cable Ltd.	INDIA
5.69.6	KEI Industries Limited	INDIA
5.69.7	Polycab Wires Pvt Ltd	INDIA
5.69.8	Suyog Electricals Ltd	INDIA
5.69.9	Thermo Cables Ltd	INDIA
5.70	CABLES COMMUNICATION (JELLY FIELD)	
A	Indian Bidders	
5.70.1	Birla Cable Ltd (formerly Birla Ericsson Optical Ltd)	INDIA
5.70.2	CMI Limited	INDIA
5.70.3	Cords Cable Industries Ltd	INDIA
5.70.4	Delton Cables Ltd	INDIA
5.70.5	Elkay Telelinks Ltd	INDIA
5.70.6	Finolex Cables Ltd	INDIA
5.70.7	KEC International Ltd (formerly RPG Cables Ltd)	INDIA
5.70.8	KEI Industries Limited	INDIA

VENDOR LIST		
Sr.No	VENDOR NAME	COUNTRY
5.70.9	Usha Beltron Ltd	INDIA
5.70.10	Vindhya Telelinks Ltd	INDIA
5.71	PLANT COMMUNICATION SYSTEM (PA / PAGING)	
A	Indian Bidders	
5.71.1	Armtel LLC	INDIA
5.71.2	Siemens Enterprise Communications	INDIA
5.72	TELEPHONE (Instrument / EPABX)	
A	Indian Bidders	
5.72.1	AGC	INDIA
5.72.2	Aviva	INDIA
5.72.3	Dee Em Systems	INDIA
5.72.4	Fibcom India Limited	INDIA
5.72.5	Laraon Engineers & Consultants Pvt. Ltd	INDIA
5.72.6	Maxtel (Panasonic)	INDIA
5.72.7	NEC	INDIA
5.72.8	Philips	INDIA
5.72.9	Progility	INDIA
5.72.10	Siemens (Unify)	INDIA
5.73	TETRA SYSTEM	
A	Indian Bidders	
5.73.1	EADS India Pvt Ltd	INDIA
5.73.2	Rohde & Schwarz India Pvt Ltd	INDIA
5.73.3	Selex Communications	INDIA
5.73.4	Simoco Telecommunications (South Asia) Ltd	INDIA
5.73.5	Motorola	INDIA
5.74	FIRE ALARM SYSTEM	
A	Indian Bidders	
5.74.1	D.D. Electronic Equipment Pvt Ltd (D.D. Systems)	INDIA
5.74.2	Dynamic Engineers Ltd	INDIA
5.74.3	Edward International	INDIA
5.74.4	Honeywell Automation India Ltd.	INDIA
5.74.5	Mather & Platt India Ltd	INDIA
5.74.6	New Fire Engineers (P) Ltd	INDIA

VENDOR LIST		
Sr.No	VENDOR NAME	COUNTRY
5.74.7	Tyco Fire & Security India Pvt. Ltd	INDIA
5.74.8	Vijay Fire Protection Sytem Ltd	INDIA
5.75	ELECTRICAL HEAT TRACING SYSTEM	
A	Indian Bidders	
5.75.1	Bartec India	INDIA
5.75.2	Pentair Thermal Systems	INDIA
5.75.3	Raychem RPG	INDIA
5.75.4	Thermon Heat Tracing	INDIA
5.75.5	Thermopads Pvt Ltd	INDIA
5.75.6	Tyco India Ltd	INDIA
5.75.7	Xicon	INDIA
5.75.8	Chromalux	INDIA
5.76	CATHODIC PROTECTION SYSTEM	
A	Indian Bidders	
5.76.1	BSS Tech CP India Pvt. Ltd.	INDIA
5.76.2	Cathodic Control Company	INDIA
5.76.3	Consultants – Baroda	INDIA
5.76.4	Consultech Cathodic Protection Engrs & India	INDIA
5.76.5	Corrosion Control Services Pvt. Ltd.	INDIA
5.76.6	Corrosion Technology Services	INDIA
5.76.7	Corrtech International	INDIA
5.76.8	Raychem RPG	INDIA
5.76.9	Sark EPC Projects	INDIA
5.76.10	Scientific Metal Engineers	INDIA
5.77	CABLE TRAYS GI /SS (Perforated /Ladder) & CABLE DUCTS	
A	Indian Bidders	
5.77.1	Elcon Cable Trays Pvt Ltd	INDIA
5.77.2	Globe Elect. Industries Ltd. India	INDIA
5.77.3	IDS Composites	INDIA
5.77.4	Indiana Cable Trays	INDIA
5.77.5	Metalemms Bombay Pvt. Ltd.	INDIA
5.77.6	National Galvaniser	INDIA
5.77.7	OBO Bettermann India Pvt Ltd	INDIA

VENDOR LIST		
Sr.No	VENDOR NAME	COUNTRY
5.77.8	Patny Systems Pvt Ltd	INDIA
5.77.9	Premier Power Products Cal Pvt. Ltd	INDIA
5.77.10	Profab Engineers Pvt Ltd	INDIA
5.77.11	Ratan Projects & Engineering Co. Pvt. Ltd.	INDIA
5.77.12	Rukmani Electrical & Components	INDIA
5.77.13	Steelite Engineering Limited	INDIA
5.77.14	Vatco Elec Power Pvt Ltd	INDIA
5.78	CABLE TRAYS FRP	
A	Indian Bidders	
5.78.1	Arvind Composites India	INDIA
5.78.2	Ercon India	INDIA
5.78.3	Sumip Composites India	INDIA
5.78.4	Syntex India	INDIA
5.79	CABLE JOINTS & TERMINATION KITS	
A	Indian Bidders	
5.79.1	3M Electro & Communication India Pvt. Ltd. India	INDIA
5.79.2	ABB India Ltd	INDIA
5.79.3	Euromold (Nexans India)	INDIA
5.79.4	Fischer	INDIA
5.79.5	Heatshrink Technologies Ltd. India	INDIA
5.79.6	Nkt	INDIA
5.79.7	Raychem RPG	INDIA
5.80	CABLE GLANDS (FOR HAZARDOUS AREA)	
A	Indian Bidders	
5.80.1	Baliga Lighting Eqpts Ltd	INDIA
5.80.2	Comet Brass Products	INDIA
5.80.3	FCG Flameproof Control Gears Pvt. Ltd Comet	INDIA
5.80.4	FCG Power Ind Pvt Ltd	INDIA
5.80.5	Flameproof Equipment Pvt. Ltd	INDIA
5.80.6	Flexpro Electricals Pvt Ltd	INDIA
5.80.7	Kaysons Techno Equipments P. Ltd.	INDIA
5.80.8	Sudhir Switchgears Pvt Ltd	INDIA
5.80.9	R Stahl	INDIA

VENDOR LIST		
Sr.No	VENDOR NAME	COUNTRY
5.80.10	Standard Metal Industries	INDIA
5.81	LIGHTING POLES (GALVANISED)	
A	Indian Bidders	
5.81.1	KI Industries	INDIA
5.81.2	Shah Engg	INDIA
5.81.3	India Electric Poles Mfg.Co	INDIA
5.82	NIFPS (NITROGEN INJECTED FIRE PROTECTION SYSTEM)	
A	Indian Bidders	
5.82.1	CTR Manufacturing India Ltd	INDIA
5.83	DC MOTORS	
A	Indian Bidders	Nil
6.1	TUBE FITTINGS	
A	INDIAN BIDDERS	
6.1.1	ARYA CRAFTS & ENGINEERING PVT LTD	INDIA
6.1.2	ASTEC VALVES & FITTINGS PVT. LTD.	INDIA
6.1.3	CIRCOR INSTR. TECHNOLOGIES INC-	INDIA
6.1.4	COMFIT & VALVES PVT. LTD.	INDIA
6.1.5	EXCEL HYDRO PNEUMATICS PVT LTD	INDIA
6.1.6	EXCELSIOR ENGG. WORKS	INDIA
6.1.7	FLUID CONTROLS PVT LTD	INDIA
6.1.8	MULTIMETAL INDUSTRIES	INDIA
6.1.9	PANAM ENGINEERS	INDIA
6.1.10	PARKER HANNIFIN CORPORATION	INDIA
6.1.11	PRIME ENGINEERS	INDIA
6.1.12	RELIANCE ENGINEERING & ELECTRICALS CORPN	INDIA
6.1.13	SEALEXCEL (INDIA) PVT. LTD.	INDIA
6.1.14	SWAGELOK CO.	INDIA
6.1.15	SWASTIK ENGINEERING WORKS	INDIA
6.1.16	TK FUJIKIN CORPORATION	INDIA
6.1.17	WESMEC ENGINEERING PVT. LTD	INDIA
6.1.18	PRECISION ENGINEERING INDUSTRIES	INDIA
6.2	INSTRUMENT TUBING	
A	INDIAN BIDDERS	

VENDOR LIST		
Sr.No	VENDOR NAME	COUNTRY
6.2.1	HEAVY METALS & TUBES LIMITED(MEHSANA)	INDIA
6.2.2	JINDAL SAW LTD	INDIA
6.2.3	RATNAMANI METALS AND TUBES LTD	INDIA
6.2.4	REMI EDELSTAHL TUBULARS LTD	INDIA
6.2.5	TK FUJIKIN CORPORATION	INDIA
6.2.6	NUCLEAR FUEL COMPLEX	INDIA
6.3	MACHINE MONITORING SYSTEMS	
A	INDIAN BIDDERS	
6.3.1	BAKER HUGHES (GE OIL & GAS INDIA PVT LTD)	INDIA
6.3.2	ROCKWELL AUTOMATION INDIA PVT LTD	INDIA
6.3.3	PROGNOST SYSTEMS GmbH	INDIA
6.4	THERMO COUPLE EXTN.CABLES	
A	INDIAN BIDDERS	
6.4.1	ASSOCIATED CABLES PVT LTD	INDIA
6.4.2	ASSOCIATED FLEXIBLES & WIRES [P] LTD	INDIA
6.4.3	CORDS CABLE INDUSTRIESLTD	INDIA
6.4.4	DELTON CABLES LIMITED	INDIA
6.4.5	KEI INDUSTRIES LIMITED	INDIA
6.4.6	T C COMMUNICATION PVT. LTD.	INDIA
6.4.7	THERMO CABLES LTD	INDIA
6.4.8	UDEY PYROCABLES PVT. LTD.	INDIA
6.5	SIGNAL CABLES	
A	INDIAN BIDDERS	
6.5.1	ASSOCIATED CABLES PVT LTD	INDIA
6.5.2	ASSOCIATED FLEXIBLES & WIRESPRIVATE LTD	INDIA
6.5.3	CMI LIMITED	INDIA
6.5.4	CORDS CABLE INDUSTRIES LTD	INDIA
6.5.5	DELTON CABLES LIMITED	INDIA
6.5.6	ELKAY TELELINKS LTD.	INDIA
6.5.7	KEC INETRATIONAL LIMITED	INDIA
6.5.8	KEI INDUSTRIES LIMITED	INDIA
6.5.9	LEONI CABLE SOLUTIONS (INDIA) PVT LTD.	INDIA
6.5.10	POLYCAB WIRES PVT LTD	INDIA

VENDOR LIST		
Sr.No	VENDOR NAME	COUNTRY
6.5.11	RALLISON ELECTRICALS PVT. LTD.	INDIA
6.5.12	SUYOG ELECTRICALS LTD	INDIA
6.5.13	T C COMMUNICATION PVT. LTD.	INDIA
6.5.14	THERMO CABLES LTD	INDIA
6.5.15	UDEY PYROCABLES PVT. LTD.	INDIA
6.5.16	LAPP INDIA PVT LTD	INDIA
6.6	OPTICAL FIBRE CABLE & ASSOC.ITEM	
A	INDIAN BIDDERS	
6.6.1	ABB INDUSTRI AS	INDIA
6.6.2	AKSH OPTIFIBRE LIMITED	INDIA
6.6.3	APAR INDUSTRIES LTD	INDIA
6.6.4	BIRLA ERICSSON OPTICAL LIMITED	INDIA
6.6.5	FINOLEX CABLES LTD.	INDIA
6.6.6	HIMACHAL FUTIRISTIC COMMUNICATIONS LTD.	INDIA
6.6.7	KEC INETRATIONAL - MYSORE	INDIA
6.6.8	STERLITE OPTICAL TECHNOLOGIES LTD	INDIA
6.6.9	SUDARSHAN TELECOM (A DIV. OF THE WCPML)	INDIA
6.6.10	U M CABLES LTD	INDIA
6.6.11	VINDHYA TELELINKS LIMITED	INDIA
6.6.12	OPTEL TELECOMMUNICATIONS	INDIA
6.6.13	ABB INDIA LTD	INDIA
6.6.14	STERLITE TECHNOLOGIES LTD	INDIA
6.7	FIELD BUS SIGNAL CABLES	
A	INDIAN BIDDERS	
6.7.1	ASSOCIATED FLEXIBLES & WIRES [P] LTD	INDIA
6.7.2	BELDEN INC	INDIA
6.7.3	CORDS CABLE INDUSTRIES LTD	INDIA
6.7.4	LAPP INDIA PVT LTD	INDIA
6.8	SIGNAL CABLE - FIRE RESISTANT	
A	INDIAN BIDDERS	
6.8.1	ASSOCIATED FLEXIBLES & WIRES [P] LTD	INDIA
6.8.2	CORDS CABLE INDUSTRIES LTD	INDIA
6.8.3	ELKAY TELELINKS LTD.	INDIA

VENDOR LIST		
Sr.No	VENDOR NAME	COUNTRY
6.8.4	KEI INDUSTRIES LIMITED	INDIA
6.8.5	POLYCAB WIRES PVT LTD	INDIA
6.8.6	SUYOG ELECTRICALS LTD	INDIA
6.8.7	THERMO CABLES LTD	INDIA
6.8.8	ASSOCIATED CABLES LIMITED	INDIA
6.8.9	UDEY PYROCABLES PVT LTD	INDIA
6.8.10	TC COMMUNICATION PVT LTD	INDIA
6.8.11	Lapp India Pvt Ltd	INDIA
6.8.12	Leoni Cable Solutions (India) Pvt. Ltd.	INDIA
6.9	SPECIAL LEVEL INSTRUMENTS (TUNNING FORK)	
A	INDIAN BIDDERS	
6.9.1	ABB INC	INDIA
6.9.2	ENDRESS+HAUSER (I) AUTO. INSTR. PVT. LTD	INDIA
6.9.3	MOBREY LTD	INDIA
6.9.4	NIVO CONTROLS PVT LTD	INDIA
6.9.5	SAPCON INSTRUMENTS PVT LTD	INDIA
6.9.6	VEGA GRIESHABER KG / VEGA INDIA LEVEL & PRESSURE MEASUREMENT PVT LTD	INDIA
6.9.7	EMERSON PROCESS MANAGEMENT	INDIA
6.10	COPPER TUBES (COATED, BARE)	
A	INDIAN BIDDERS	
6.10.1	MEHTA TUBES LIMITED	INDIA
6.10.2	MULTIMETALS LIMITED	INDIA
6.10.3	RAJCO METAL INDUSTRIES P LTD	INDIA
6.10.4	KAMANI TUBES	INDIA
6.10.5	RELIANCE ENGINEERS LTD	INDIA
6.10.6	ALCOBEX METALS PVT LTD	INDIA
6.10.7	HIDUSTAN STEEL & METAL WORKS	INDIA
6.10.8	INDUSTRIAL TUBES	INDIA
6.11	CORROSION MONITORS	
A	INDIAN BIDDERS	
6.11.1	PEPPERL + FUCHS GMBH	INDIA
6.11.2	CHEMTREAT INDIA LIMITED	INDIA

VENDOR LIST		
Sr.No	VENDOR NAME	COUNTRY
6.11.3	MANAN ENGINEERING CORPORATION	INDIA
6.11.4	ALLWYN INDUSTRIES	INDIA
6.12	CONTROL VALVE POSITIONER / SMART POSITIONER	
A	INDIAN BIDDERS	
6.12.1	FLOWSERVE INDIA CONTROL PVT LTD- BANGALORE	INDIA
6.12.2	SAMSON CONTROLS PVT LTD	INDIA
6.12.3	EMERSON PROCESS MANAGEMENT (FISHER)	INDIA
6.12.4	METSO AUTOMATION	INDIA
6.12.5	DRESSER	INDIA
6.13	SOLENOID VALVES	
A	INDIAN BIDDERS	
6.13.1	ASCO NUMATICS (INDIA) P. LIMITED	INDIA
6.13.2	AVCON CONTROLS PVT. LTD.	INDIA
6.13.3	HERION WERKE	INDIA
6.13.4	PRECISION INSTRUMENT COMPANY	INDIA
6.13.5	ROTEX AUTOMATION LTD.	INDIA
6.13.6	SCHRADER DUNCAN LIMITED	INDIA
6.13.7	ASCO JOUCOMATIC LTD	INDIA
6.14	CONTROL VALVES	
A	INDIAN BIDDERS	
6.14.1	ARCA REGLER GMBH	INDIA
6.14.2	CCI VALVE TECHNOLOGY GMBH	INDIA
6.14.3	EMERSON PROCESS MANAGEMENT CHENNAI PVT. LTD	INDIA
6.14.4	FLOWSERVE INDIA CONTROL PVT LTD	INDIA
6.14.5	FORBES MARSHALL ARCA P LTD.	INDIA
6.14.6	BAKER HUGHES (GE OIL & GAS INDIA PVT LTD)	INDIA
6.14.7	INSTRUMENTATION LTD	INDIA
6.14.8	KOSO INDIA PVT LTD	INDIA
6.14.9	METSO FLOW CONTROL OY	INDIA
6.14.10	MIL CONTROLS LIMITED	INDIA
6.14.11	SAMSON CONTROLS PVT LTD	INDIA
6.14.12	SEVERN GLOCON INDIA PVT LTD	INDIA
6.14.13	SPX VALVES & CONTROLS (FORMERLY DEZURIK)	INDIA

VENDOR LIST		
Sr.No	VENDOR NAME	COUNTRY
6.14.14	WEIR VALVES & CONTROLS UK LTD	INDIA
6.14.15	GE INDIA INDUSTRIAL PVT LTD (DRESSER)	INDIA
6.14.16	KENT INTROL UK LTD	INDIA
6.14.17	CONTROL COMPONENT INDIA PVT LTD.	INDIA
6.14.18	DRESSER VALVE INDIA PVT LTD	INDIA
6.14.19	BRAY CONTROLS (I) PVT LTD	INDIA
6.15	PRESSURE RELIEF VALVE	
A	INDIAN BIDDERS	
6.15.1	ANDERSON GREENWOOD CROSBY SANMAR Ltd.	INDIA
6.15.2	BHEL	INDIA
6.15.3	BLISS ANAND PVT LTD	INDIA
6.15.4	CURTISS WRIGHT FLOW CONTROL CORPORATION	INDIA
6.15.5	DARLING MUESCO (INDIA) PVT. LTD	INDIA
6.15.6	BAKER HUGHES (GE OIL & GAS INDIA PVT LTD)	INDIA
6.15.7	FAINGER LESER VALVES (P) LTD.	INDIA
6.15.8	INSTRUMENTATION LTD. (PALGHAT)	INDIA
6.15.9	WEIR BDK VALVES	INDIA
6.15.10	ANDERSON GREENWOOD CROSBY	INDIA
6.15.11	DRESSER INC	INDIA
6.15.12	TYCO SANMAR LTD	INDIA
6.15.13	PENTAIR SAN MAR LTD	INDIA
6.16	INSTRUMENT VALVES & MANIFOLDS	
A	INDIAN BIDDERS	
6.16.1	ANDERSON GREENWOOD CROSBY SANMAR Ltd.	INDIA
6.16.2	ARYA CRAFTS & ENGINEERING PVT LTD	INDIA
6.16.3	ASTEC VALVES & FITTINGS PVT. LTD.	INDIA
6.16.4	BAUMER TECHNOLOGIES INDIA PVT.LTD(W058)	INDIA
6.16.5	CIRCOR INSTR. TECHNOLOGIES INC	INDIA
6.16.6	COMFIT & VALVES PVT. LTD.	INDIA
6.16.7	EXCEL HYDRO PNEUMATICS PVT LTD	INDIA
6.16.8	EXCELSIOR ENGG. WORKS	INDIA
6.16.9	FLUID CONTROLS PVT LTD	INDIA
6.16.10	MICRO PRECISION PRODUCTS PVT LTD	INDIA

VENDOR LIST		
Sr.No	VENDOR NAME	COUNTRY
6.16.11	PANAM ENGINEERS	INDIA
6.16.12	PARKER HANNIFIN CORPORATION	INDIA
6.16.13	PRIME ENGINEERS	INDIA
6.16.14	SWAGELOK CO.	INDIA
6.16.15	SWASTIK ENGINEERING WORKS	INDIA
6.16.16	TK FUJIKIN CORPORATION	INDIA
6.16.17	WESMEC ENGINEERING PVT LTD.	INDIA
6.16.18	CHEMTROLS INDUSTRIES LTD	INDIA
6.16.19	PRECISION ENGINEERING INDUSTRIES	INDIA
6.16.20	ANDERSON GREENWOOD CROSBY	INDIA
6.16.21	TECNOMATIC INDIA PVT LTD	INDIA
6.17	TANK PR. PROTECT. DEVICES / FLAME ARRESSTER	
A	INDIAN BIDDERS	
6.17.1	ANDERSON GREENWOOD CROSBY SANMAR Ltd.	INDIA
6.17.2	ANDERSON GREENWOOD VAREC	INDIA
6.17.3	BRAUNSCHWEIGER FLAMMENFILTER	INDIA
6.17.4	GROTH CORPORATION	INDIA
6.17.5	PRESSURE & FLOW CONTROL INDUSTRIES	INDIA
6.17.6	PROTEGO INDIA PVT LTD	INDIA
6.18	ON-OFF VALVES	
A	INDIAN BIDDERS	
6.18.1	BRAY CONTROLS INDIA PVT LTD	INDIA
6.18.2	CAMERON LTD. (Group of Schlumberger Ltd)	INDIA
6.18.3	EL-O-MATIC INDIA (PVT) LTD.	INDIA
6.18.4	EMERSON PROCESS MANAGEMENT (INDIA) PVT LTD.	INDIA
6.18.5	FLOWSERVE INDIA CONTROLS PVT. LTD.	INDIA
6.18.6	KITAMURA VALVE MANUFACTURING CO LTD	INDIA
6.18.7	KOSO INDIA PVT. LIMITED	INDIA
6.18.8	L & T VALVES LIMITED	INDIA
6.18.9	METSO INDIA PVT LTD / METSO FLOW CONTROL OY	INDIA
6.18.10	MICROFINISH VALVES PVT LIMITED	INDIA
6.18.11	SPX VALVES & CONTROLS (FORMERLY DEZURIK)	INDIA
6.18.12	WEIR BDK VALVES	INDIA

VENDOR LIST		
Sr.No	VENDOR NAME	COUNTRY
6.18.13	RMEBS CONTROLS PVT LTD (Old Name: ROTEX MANUFACTURERS & ENGINEERS P LTD.)	INDIA
6.18.14	SAMSONS CONTROLS PVT LTD	INDIA
6.18.15	PENTAIR VALVES & CONTROLS INDIA PVT LTD	INDIA
6.18.16	TYCO VALVES & CONTROLS	INDIA
6.18.17	VIRGO VALVES & CONTROLS PVT LTD	INDIA
6.18.18	DELVAL FLOW CONTROLS PVT LIMITED	INDIA
6.18.19	FOURESS ENGINEERING (INDIA) LTD.	INDIA
6.19	SELF ACTUATED PR. CONTROL VALVES	
A	INDIAN BIDDERS	
6.19.1	ELSTER-INSTROMET INDIA PVT LTD (HONEYWELL)	INDIA
6.19.2	EMERSON PROCESS MANGMNT CHENNAI PVT. LTD	INDIA
6.19.3	BAKER HUGHES (GE OIL & GAS INDIA PVT LTD)	INDIA
6.19.4	MIL CONTROLS LIMITED	INDIA
6.19.5	NIRMAL INDUSTRIAL CONTROL PVT. LTD.	INDIA
6.19.6	RMG REGEL+MESSTECHNIK GMBH	INDIA
6.19.7	SAMSON CONTROLS PVT LTD	INDIA
6.19.8	DRESSER VALVE INDIA PVT LTD	INDIA
6.19.9	BRAY CONTROLS (I) PVT LTD	INDIA
6.19.10	DELVAL FLOW CONTROLS PVT LIMITED	INDIA
6.20	SPECIAL CONTROL VALVES (BUTTERFLY)	
A	INDIAN BIDDERS	
6.20.1	EMERSON PROCESS MANGMNT CHENNAI PVT. LTD	INDIA
6.20.2	FLOWERVE INDIA CONTROL PVT LTD- BANGALOR	INDIA
6.20.3	BAKER HUGHES (GE OIL & GAS INDIA PVT LTD)	INDIA
6.20.4	METSO INDIA PVT LTD / METSO FLOW CONTROL OY	INDIA
6.20.5	SPX VALVES & CONTROLS (FORMERLY DEZURIK)	INDIA
6.20.6	WEIR VALVES & CONTROLS UK LTD	INDIA
6.20.7	SAMSONS CONTROLS PVT LTD	INDIA
6.20.8	TYCO VALVES & CONTROLS	INDIA
6.20.9	GE INDIA INDUSTRIAL PVT LTD (DRESSER)	INDIA
6.20.10	PENTAIR VALVES & CONTROLS INDIA PVT LTD	INDIA
6.20.11	BRAY CONTROLS (I) PVT LTD	INDIA

VENDOR LIST		
Sr.No	VENDOR NAME	COUNTRY
6.20.12	DELVAL FLOW CONTROLS PVT LIMITED	INDIA
6.20.13	FOURESS ENGINEERING (INDIA) LTD.	INDIA
6.20.14	LARSEN & TOUBRO LTD.	INDIA
6.20.15	INTERVALVE POONAWALA	INDIA
6.20.16	IPC INDIA LTD.	INDIA
6.21	DESUPERHEATERS & PRDS	
A	INDIAN BIDDERS	
6.21.1	ARCA REGLER GMBH	INDIA
6.21.2	BOMafa SPECIAL VALVE SOLUTIONS PVT. LTD.	INDIA
6.21.3	CCI VALVE TECHNOLOGY AB	INDIA
6.21.4	CIRCOR FLOW TECHNOLOGIES INDIA PVT LTD	INDIA
6.21.5	FISHER SANMAR LTD (EMERSON PROCESS MANAGEMENT)	INDIA
6.21.6	FORBES MARSHALL ARCA P LTD.	INDIA
6.21.7	H.K. INDUSTRIES	INDIA
6.21.8	LEPRETFLOW ENGINEERING PVT LTD	INDIA
6.21.9	MAZDA LTD	INDIA
6.21.10	TYCO VALVES & CONTROLS INDIA PVT LTD	INDIA
6.21.11	VENTURI JET PUMPS LTD	INDIA
6.21.12	YARWAY CORPORATION	INDIA
6.21.13	INSTRUMENTATION LTD. (PALGHAT)	INDIA
6.21.14	CHEMTROLS INDUSTRIES LTD	INDIA
6.21.15	SAMSON AG MESS-UND REGELTECHNIK	INDIA
6.21.16	INDITECH VALVES PVT LIMITED	INDIA
6.22	PR. REGULATOR & SLAM SHUT VALVES	
A	INDIAN BIDDERS	
6.22.1	ELSTER-INSTROMET INDIA PVT LTD (HONEYWELL)	INDIA
6.22.2	NIRMAL INDUSTRIAL CONTROL PVT. LTD.	INDIA
6.22.3	RMG REGEL+MESSSTECHNIK GMBH	INDIA
6.23	PILOT OPERATED SAFETY VALVES	
A	INDIAN BIDDERS	
6.23.1	ANDERSON GREENWOOD CROSBY SANMAR LTD	INDIA
6.23.2	BLISS ANAND PVT LTD	INDIA
6.23.3	CAMERON LTD. (Group of Schlumberger Ltd)	INDIA

VENDOR LIST		
Sr.No	VENDOR NAME	COUNTRY
6.23.4	CURTISS WRIGHT FLOW CONTROL CORPORATION	INDIA
6.23.5	BAKER HUGHES (GE OIL & GAS INDIA PVT LTD)	INDIA
6.23.6	FAINGER LESER VALVES (P) LTD.	INDIA
6.23.7	DRESSER INC	INDIA
6.23.8	ANDERSON GREENWOOD CROSBY	INDIA
6.23.9	PENTAIR SANMAR LTD.	INDIA
6.23.10	DARLING MUESCO INDIA PVT LTD	INDIA
6.24	PROCESS STREAM ANALYSERS (O2-ZIRCONIA)	
A	INDIAN BIDDERS	
6.24.1	ABB INDIA LTD	INDIA
6.24.2	EMERSON PROCESS MANAGEMENT INDIA PVT LTD	INDIA
6.24.3	SECO CONTROLS PVT LTD	INDIA
6.24.4	SERVOMEX GROUP LTD.	INDIA
6.24.5	YOKOGAWA INDIA LIMITED	INDIA
6.24.6	GE SENSING EMEA	INDIA
6.25	GAS CHROMATOGRAPH (PROCESS)	
A	INDIAN BIDDERS	
6.25.1	ABB INDIA LTD (BANGALORE)	INDIA
6.25.2	APPLIED INSTRUMENTS TECHNOLOGIES INC.	INDIA
6.25.3	ELSTER-INSTROMET INDIA PVT LTD (HONEYWELL)	INDIA
6.25.4	EMERSON PROCESS MANAGEMENT INDIA PVT LTD	INDIA
6.25.5	YOKOGAWA INDIA LIMITED	INDIA
6.25.6	SIEMENS AG	INDIA
6.26	STACK GAS ANALYSER SYSTEMS (EXTRACTIVE)	
A	INDIAN BIDDERS	
6.26.1	ABB INDIA LTD (BANGALORE)	INDIA
6.26.2	EMERSON PROCESS MANAGEMENT INDIA PVT LTD	INDIA
6.26.3	ENVIRONNEMENT S.A.	INDIA
6.26.4	HORIBA LTD	INDIA
6.26.5	SERVOMEX GROUP LTD.	INDIA
6.26.6	THERMO FISHER SCIENTIFIC INDIA PVT. LTD.	INDIA
6.26.7	YOKOGAWA INDIA LIMITED	INDIA
6.26.8	CHEMTROLS INDUSTRIES LTD	INDIA

VENDOR LIST		
Sr.No	VENDOR NAME	COUNTRY
6.27	AMBIENT AIR ANALYSER SYSTEMS	
A	INDIAN BIDDERS	
6.27.1	ENVIRONNEMENT S.A.	INDIA
6.27.2	THERMO FISHER SCIENTIFIC INDIA PVT. LTD.	INDIA
6.27.3	CHEMTROLS INDUSTRIES LTD	INDIA
6.28	PROCESS STREAM ANALYSER (IR/UV)	
A	INDIAN BIDDERS	
6.28.1	ABB INDIA LTD (BANGALORE)	INDIA
6.28.2	APPLIED INSTRUMENTS TECHNOLOGIES INC.	INDIA
6.28.3	EMERSON PROCESS MANAGEMENT INDIA PVT LTD	INDIA
6.28.4	HORIBA LTD	INDIA
6.28.5	SERVOMEX GROUP LTD.	INDIA
6.28.6	YOKOGAWA INDIA LIMITED	INDIA
6.28.7	FORBES MARSHAL PVT LTD	INDIA
6.29	PROCESS STREAM ANALYSER (H.C.-TCD/FID)	
A	INDIAN BIDDERS	
6.29.1	ABB INDIA LTD (BANGALORE)	INDIA
6.29.2	EMERSON PROCESS MANAGEMENT INDIA PVT LTD	INDIA
6.29.3	FORBES MARSHAL PVT LTD	INDIA
6.29.4	SIEMENS AG	INDIA
6.29.5	SICK AG	INDIA
6.30	ANALYSER SYSTEMS	
A	INDIAN BIDDERS	
6.30.1	ABB INDIA LTD (BANGALORE)	INDIA
6.30.2	APPLIED INSTRUMENTS TECHNOLOGIES INC.	INDIA
6.30.3	EMERSON PROCESS MANAGEMENT INDIA PVT LTD	INDIA
6.30.4	SERVOMEX GROUP LTD.	INDIA
6.30.5	SIEMENS AG (ADAGE AUTOMATION PVT. LTD.)	INDIA
6.30.6	YOKOGAWA INDIA LIMITED	INDIA
6.30.7	CHEMTROLS INDUSTRIES LTD	INDIA
6.30.8	FORBES MARSHAL PVT LTD	INDIA
6.31	STACK GAS ANALYSER SYSTEMS (INSITU)	
A	INDIAN BIDDERS	

VENDOR LIST		
Sr.No	VENDOR NAME	COUNTRY
6.31.1	ENVORNMENT SA	INDIA
6.31.2	FORBES MARSHALL CODEL PVT. LTD.	INDIA
6.31.3	SERVOMEX GROUP LTD.	INDIA
6.31.4	TELEDYNE	INDIA
6.31.5	THERMO FISHER SCIENTIFIC	INDIA
6.31.6	CHEMTROLS INDUSTRIES LTD	INDIA
6.31.7	SICK AG	INDIA
6.32	STACK GAS ANALYSERS (SPM)	
A	INDIAN BIDDERS	
6.32.1	ENVIRONNEMENT S.A.	INDIA
6.32.2	FORBES MARSHALL CODEL PVT. LTD.	INDIA
6.32.3	SERVOMEX GROUP LTD.	INDIA
6.32.4	THERMO FISHER SCIENTIFIC	INDIA
6.32.5	DURAG	INDIA
6.32.6	SICK AG	INDIA
6.32.7	AMETEK (LAND)	INDIA
6.33	ORIFICE PLATES & FLANGES	
A	INDIAN BIDDERS	
6.33.1	BALIGA LIGHTING EQUIPMENTS (P) LIMITED	INDIA
6.33.2	CAMERON LTD. (Group of Schlumberger Ltd)	INDIA
6.33.3	COMFIT & VALVES PVT. LTD.	INDIA
6.33.4	DANIEL MEASUREMENT SOLUTIONS PVT LTD (EMERSON)	INDIA
6.33.5	EUREKA INDUSTRIAL EQUIPMENTS (P) LTD.	INDIA
6.33.6	GAUGES BOURDON (I) PVT. LTD. (GEN.INST)	INDIA
6.33.7	GURU NANAK ENGG WORKS	INDIA
6.33.8	HYDROPNEUMATICS PVT. LTD.	INDIA
6.33.9	INSTRUMENTATION LTD. (PALGHAT)	INDIA
6.33.10	MICRO PRECISION PRODUCTS PVT LTD	INDIA
6.33.11	MINCO (INDIA) PVT LTD (GEN. INST.)	INDIA
6.33.12	STAR-MECH CONTROLS (INDIA) PVT LTD	INDIA
6.34	FLOW ELEMENTS : (VENTURI, FLOW NOZZLES)	
A	INDIAN BIDDERS	
6.34.1	EMERSON PROCESS MANAGEMENT INDIA PVT LTD	INDIA

VENDOR LIST		
Sr.No	VENDOR NAME	COUNTRY
6.34.2	GAUGES BOURDON (I) PVT. LTD. (GEN.INST)	INDIA
6.34.3	HYDROPNEUMATICS PVT. LTD.	INDIA
6.34.4	INSTRUMENTATION LIMITED	INDIA
6.34.5	MICRO PRECISION PRODUCTS PVT LTD	INDIA
6.34.6	MINCO (I) FLOW ELEMENT P. LTD. (GIC CO.)	INDIA
6.34.7	STAR-MECH CONTROLS (INDIA) PVT LTD	INDIA
6.34.8	MINCO (INDIA) PVT LTD	INDIA
6.34.9	EUREKA INDUSTRIAL EQUIPMENTS PVT LTD.	INDIA
6.35	TEMP. ELEMENTS, THERMOWELLS	
A	INDIAN BIDDERS	
6.35.1	ALTOP INDUSTRIES LTD.	INDIA
6.35.2	DETRIV INSTRUMENTATION & ELECTRONICS LTD	INDIA
6.35.3	GAUGES BOURDON (I) PVT LTD (GEN. INST.)	INDIA
6.35.4	GOA INSTRUMENTS INDUSTRIES PVT. LTD.	INDIA
6.35.5	PYRO-ELECTRIC INSTRUMENTS GOA PVT LTD	INDIA
6.35.6	TECHNO INSTRUMENTS	INDIA
6.35.7	TEMPESENS INSTRUMENTS INDIA PVT LTD	INDIA
6.35.8	TEMP-TECH	INDIA
6.35.9	THERMO ELECTRIC CO. INC.	INDIA
6.35.10	THERMO-COUPLE PRODUCTS CO	INDIA
6.35.11	THERMAL INSTRUMENTS INDIA PVT. LTD	INDIA
6.35.12	ABB LTD	INDIA
6.35.13	WIKA	INDIA
6.36	SKIN THERMOCOUPLES	
A	INDIAN BIDDERS	
6.36.1	BAUMER GROUP	INDIA
6.36.2	DETRIV INSTRUMENTATION & ELECTRONICS LTD	INDIA
6.36.3	PYRO-ELECTRIC INSTRUMENTS GOA PVT LTD	INDIA
6.36.4	TECHNO INSTRUMENTS	INDIA
6.36.5	THERMO ELECTRIC CO. INC.	INDIA
6.36.6	THERMO-COUPLE PRODUCTS CO	INDIA
6.36.7	WIKA INSTRUMENTS INDIA PRIVATE LIMITED.	INDIA
6.36.8	ABB LTD	INDIA

VENDOR LIST		
Sr.No	VENDOR NAME	COUNTRY
6.37	SPECIAL TEMPERATURE ELEMENTS	
A	INDIAN BIDDERS	
6.37.1	PYRO-ELECTRIC INSTRUMENTS GOA PVT LTD	INDIA
6.37.2	THERMO ELECTRIC CO. INC.	INDIA
6.37.3	THERMO-COUPLE PRODUCTS CO	INDIA
6.37.4	BAUMER INDIA PVT LTD.	INDIA
6.37.5	ABB LTD	INDIA
6.38	SURGE RELIEF VALVE	
A	INDIAN BIDDERS	
6.38.1	DANIEL MEASUREMENT SOLUTIONS PVT LTD (EMERSON)	INDIA
6.39	SPECIAL CONTROL VALVES (PLUG)	
A	INDIAN BIDDERS	
6.39.1	EMERSON PROCESS MANGMNT CHENNAI PVT. LTD	INDIA
6.40	SPECIAL CONTROL VALVE (FLUSH BOTTOM)	
A	INDIAN BIDDERS	
6.40.1	MICRO PNEUMATICS PVT. LTD.	INDIA
6.40.2	TECNIK VALVES PVT. LTD.	INDIA
6.41	WATER QUALITY ANALYSERS (SILICA)	
A	INDIAN BIDDERS	
6.41.1	FORBES MARSHALL PVT. LTD.- PUNE	INDIA
6.41.2	HACH COMPANY	INDIA
6.41.3	HONEYWELL AUTOMATION INDIA LTD.	INDIA
6.41.4	ENDRESS + HAUSER INSTRUMENTS INTL. AG	INDIA
6.41.5	ABB LTD	INDIA
6.42	WATER QUALITY ANALYSER-DISSOLVED OXYGEN	
A	INDIAN BIDDERS	
6.42.1	ABB INDIA LTD (BANGALORE)	INDIA
6.42.2	EMERSON PROCESS MANAGEMENT INDIA PVT LTD	INDIA
6.42.3	FORBES MARSHALL PVT. LTD.- PUNE	INDIA
6.42.4	HACH COMPANY	INDIA
6.42.5	HONEYWELL AUTOMATION INDIA LTD.	INDIA
6.42.6	METTLER - TOLEDO AG	INDIA
6.42.7	YOKOGAWA INDIA LIMITED	INDIA

VENDOR LIST		
Sr.No	VENDOR NAME	COUNTRY
6.42.8	ENDRESS + HAUSER INSTRUMENTS INTL. AG	INDIA
6.42.9	INVENSYS	INDIA
6.43	WATER QUALITY ANALYSER SYSTEMS	
A	INDIAN BIDDERS	
6.43.1	ABB INDIA LTD (BANGALORE)	INDIA
6.43.2	EMERSON PROCESS MANAGEMENT INDIA PVT LTD	INDIA
6.43.3	FORBES MARSHALL PVT. LTD.- PUNE	INDIA
6.43.4	HONEYWELL AUTOMATION INDIA LTD.	INDIA
6.43.5	METTLER - TOLEDO AG	INDIA
6.43.6	YOKOGAWA INDIA LIMITED	INDIA
6.43.7	ENDRESS+HAUSER	INDIA
6.44	PROCESS STREAM ANALYSER-MOISTURE/ DEW PT	
A	INDIAN BIDDERS	
6.44.1	SERVOMEX GROUP LTD.	INDIA
6.44.2	GE SENSING EMEA	INDIA
6.45	PROCESS STREAM ANALYSER(PARAMAGNETIC-O2)	
A	INDIAN BIDDERS	
6.45.1	ABB INDIA LTD (BANGALORE)	INDIA
6.45.2	EMERSON PROCESS MANAGEMENT INDIA PVT LTD	INDIA
6.45.3	HORIBA LTD	INDIA
6.45.4	SERVOMEX GROUP LTD.	INDIA
6.45.5	YOKOGAWA INDIA LIMITED	INDIA
6.45.6	GE SENSING EMEA	INDIA
6.45.7	SIEMENS AG	INDIA
6.46	WATER QUALITY ANALYSERS (PH)	
A	INDIAN BIDDERS	
6.46.1	ABB INDIA LTD (BANGALORE)	INDIA
6.46.2	EMERSON PROCESS MANAGEMENT INDIA PVT LTD	INDIA
6.46.3	ENDRESS+HAUSER (I) PVT. LTD.	INDIA
6.46.4	FORBES MARSHALL PVT. LTD.- PUNE	INDIA
6.46.5	HACH COMPANY	INDIA
6.46.6	HONEYWELL AUTOMATION INDIA LTD.	INDIA
6.46.7	INVENSYS INDIA PRIVATE LIMITED (SCHNEIDER)	INDIA

VENDOR LIST		
Sr.No	VENDOR NAME	COUNTRY
6.46.8	METTLER - TOLEDO AG	INDIA
6.46.9	YOKOGAWA INDIA LIMITED	INDIA
6.47	PROCESS STREAM ANALYSER(HYDROGEN-TCD)	
A	INDIAN BIDDERS	
6.47.1	ABB INDIA LTD (BANGALORE)	INDIA
6.47.2	EMERSON PROCESS MANAGEMENT INDIA PVT LTD	INDIA
6.47.3	HORIBA LTD	INDIA
6.47.4	GE SENSING	INDIA
6.48	PRODUCT QUALITY ANALYSER SYSTEMS	
A	INDIAN BIDDERS	
6.48.1	ABB INDIA LTD (BANGALORE)	INDIA
6.48.2	THERMO FISHER SCIENTIFIC	INDIA
6.48.3	YOKOGAWA INDIA LIMITED	INDIA
6.48.4	CHEMTROLS INDUSTRIES LTD	INDIA
6.48.5	BARTEC GMBH	INDIA
6.48.6	YOKOGAWA ELECTRIC CORPORATION	INDIA
6.49	WATER QUALITY ANALYSERS (TURBIDITY)	
A	INDIAN BIDDERS	
6.49.1	ABB INDIA LTD (BANGALORE)	INDIA
6.49.2	EMERSON PROCESS MANAGEMENT INDIA PVT LTD	INDIA
6.49.3	FORBES MARSHALL PVT. LTD.- PUNE	INDIA
6.49.4	HACH COMPANY	INDIA
6.49.5	METTLER - TOLEDO AG	INDIA
6.49.6	YOKOGAWA INDIA LIMITED	INDIA
6.49.7	ENDRESS + HAUSER	INDIA
6.50	WATER QUALITY ANALYSERS (CONDUCTIVITY)	
A	INDIAN BIDDERS	
6.50.1	ABB INDIA LTD (BANGALORE)	INDIA
6.50.2	EMERSON PROCESS MANAGEMENT INDIA PVT LTD	INDIA
6.50.3	ENDRESS+HAUSER (I) PVT. LTD.	INDIA
6.50.4	FORBES MARSHALL PVT. LTD.- PUNE	INDIA
6.50.5	HACH COMPANY	INDIA
6.50.6	HONEYWELL AUTOMATION INDIA LTD.	INDIA

VENDOR LIST		
Sr.No	VENDOR NAME	COUNTRY
6.50.7	INVENSYS INDIA PRIVATE LIMITED (SCHNEIDER)	INDIA
6.50.8	METTLER - TOLEDO AG	INDIA
6.50.9	YOKOGAWA INDIA LIMITED	INDIA
6.51	PROCESS STREAM ANALYSER(IR/UV)	
A	INDIAN BIDDERS	
6.51.1	ABB INDIA LTD (BANGALORE)	INDIA
6.51.2	APPLIED INSTRUMENTS TECHNOLOGIES INC.	INDIA
6.51.3	EMERSON PROCESS MANAGEMENT INDIA PVT LTD	INDIA
6.51.4	HORIBA LTD	INDIA
6.51.5	SERVOMEX GROUP LTD.	INDIA
6.51.6	YOKOGAWA INDIA LIMITED	INDIA
6.52	SO2 ANALYSER	
A	INDIAN BIDDERS	
6.52.1	ABB LTD	INDIA
6.52.2	YOKOGAWA	INDIA
6.53	WATER QUALITY ANALYSER-OIL IN H2O TOC/TC	
A	INDIAN BIDDERS	
6.53.1	ENVIRONMENT SA INDIA PVT LTD	INDIA
6.53.2	FORBES MARSHALL PVT. LTD.(Old Name: FORBES MARSHALL STEAM SYSTEMS PVT. LTD.)	INDIA
6.53.3	HACH COMPANY	INDIA
6.53.4	LAR PROCESS ANALYSERS AG	INDIA
6.54	WATER QUALITY ANALYSER-OIL IN H2O DISLVD	
A	INDIAN BIDDERS	
6.54.1	FORBES MARSHALL PVT. LTD.- PUNE	INDIA
6.55	WATER QUALITY ANALYSERS(CHLORINE)	
A	INDIAN BIDDERS	
6.55.1	ABB INDIA LTD (BANGALORE)	INDIA
6.55.2	EMERSON PROCESS MANAGEMENT INDIA PVT LTD	INDIA
6.55.3	HACH COMPANY	INDIA
6.55.4	YOKOGAWA INDIA LIMITED	INDIA
6.55.5	ENDRESS + HAUSER	INDIA
6.56	FLOW ELEMENTS-WEDGE TYPE	

VENDOR LIST		
Sr.No	VENDOR NAME	COUNTRY
A	INDIAN BIDDERS	
6.56.1	ABB INDIA LTD (BANGALORE)	INDIA
6.56.2	MICRO PRECISION PRODUCTS PVT LTD	INDIA
6.57	GAS DETECTION SYSTEMS	
A	INDIAN BIDDERS	
6.57.1	DETECTOR ELECTRONICS CORP.(KIDDE CO.)	INDIA
6.57.2	DRAGER SAFETY AG & CO.	INDIA
6.57.3	EMERSON PROCESS MANAGEMENT INDIA PVT LTD	INDIA
6.57.4	HONEYWELL ANALYTICS	INDIA
6.57.5	INDUSTRIAL SCIENTIFIC OLDHAM	INDIA
6.57.6	MINE SAFETY APPLIANCES COMPANY	INDIA
6.57.7	NET SAFETY MONITORING INC	INDIA
6.57.8	RESPO PRODUCTS	INDIA
6.57.9	ESP SAFETY PVT. LTD.	INDIA
6.57.10	CHEMTROLS INDUSTRIES LTD	INDIA
6.57.11	DETECTION INSTRUMENTS INDIA	INDIA
6.58	FIRE & GAS DETECTION SYSTEMS	
A	INDIAN BIDDERS	
6.58.1	DETECTOR ELECTRONICS CORP.(KIDDE CO.)	INDIA
6.58.2	EMERSON PROCESS MANAGEMENT INDIA PVT LTD	INDIA
6.58.3	HONEYWELL AUTOMATION INDIA LTD.	INDIA
6.58.4	MINE SAFETY APPLIANCES COMPANY	INDIA
6.58.5	NET SAFETY MONITORING INC	INDIA
6.58.6	YOKOGAWA INDIA LIMITED	INDIA
6.59	PRODUCT QUALITY ANALYSERS (NIR)	
A	INDIAN BIDDERS	
6.59.1	ABB INDIA LTD (BANGALORE)	INDIA
6.59.2	APPLIED INSTRUMENTS TECHNOLOGIES INC.	INDIA
6.59.3	BARTEC GMBH	INDIA
6.59.4	YOKOGAWA INDIA LIMITED	INDIA
6.60	PRODUCT QUALITY ANALYSERS (VISCOSITY)	
A	INDIAN BIDDERS	
6.60.1	ABB INDIA LTD (BANGALORE)	INDIA

VENDOR LIST		
Sr.No	VENDOR NAME	COUNTRY
6.60.2	EMERSON PROCESS MANAGEMENT INDIA PVT LTD	INDIA
6.61	PRODUCT QUALITY ANALYSERS (DENSITY)	
A	INDIAN BIDDERS	
6.61.1	MOBREY LTD	INDIA
6.61.2	THERMO FISHER SCIENTIFIC	INDIA
6.62	PRODUCT QUALITY ANALYSERS (FLASH POINT)	
A	INDIAN BIDDERS	
6.62.1	ABB INDIA LTD (BANGALORE)	INDIA
6.62.2	EMERSON PROCESS MGMT.	INDIA
6.62.3	BARTEC GMBH	INDIA
6.63	PRODUCT QUALITY ANALYSERS (DISTILLATION)	
A	INDIAN BIDDERS	
6.63.1	ABB INDIA LTD (BANGALORE)	INDIA
6.64	PRODUCT QUALITY ANALYSER (SULPHUR)	
A	INDIAN BIDDERS	
6.64.1	ABB INDIA LTD (BANGALORE)	INDIA
6.64.2	THERMO FISHER SCIENTIFIC INDIA PVT. LTD.	INDIA
6.65	STACK GAS ANALYSERS (O2-ZIRCONIA) + CO + CO2	
A	INDIAN BIDDERS	
6.65.1	ABB INDIA LTD (BANGALORE)	INDIA
6.65.2	EMERSON PROCESS MANAGEMENT INDIA PVT LTD	INDIA
6.65.3	SERVOMEX GROUP LTD.	INDIA
6.65.4	YOKOGAWA INDIA LIMITED	INDIA
6.65.5	GE SENSING EMEA	INDIA
6.66	ANALYSER-DENSITY/SP. GRAVITY (NUCLEONIC)	
A	INDIAN BIDDERS	
6.66.1	BERTHOLD TECHNOLOGIES GMBH & CO.KG	INDIA
6.66.2	ENDRESS+HAUSER (I) PVT. LTD.	INDIA
6.66.3	OHMART/VEGA CORPORATION	INDIA
6.66.4	THERMO FISHER SCIENTIFIC	INDIA
6.67	ANALYSER-DENSITY/SP GRAVITY (VIB CYLINDR)	
A	INDIAN BIDDERS	
6.67.1	EMERSON PROCESS MANAGEMENT INDIA PVT LTD	INDIA

VENDOR LIST		
Sr.No	VENDOR NAME	COUNTRY
6.67.2	MOBREY LTD	INDIA
6.67.3	THERMO FISHER SCIENTIFIC	INDIA
6.68	ANALYSER-DENSITY/SP GRAVITY (CORIOLIS)	
A	INDIAN BIDDERS	
6.68.1	KROHNE MARSHALL PVT. LTD	INDIA
6.68.2	YOKOGAWA INDIA LIMITED	INDIA
6.68.3	ENDRESS + HAUSER FLOWTEC (INDIA) PVT LTD	INDIA
6.68.4	EMERSON PROCESS MANAGEMENT INDIA PVT LTD	INDIA
6.68.5	ENDRESS+HAUSER (I) PVT. LTD.	INDIA
6.69	AUTOMATIC LIQUID SAMPLER	
A	INDIAN BIDDERS	
6.69.1	CAMERON LTD. (Group of Schlumberger Ltd)	INDIA
6.69.2	DOPAK (SPIRARE ENERGY)	INDIA
6.70	WOBBE METERS	
6.71	PROGRAMMABLE LOGIC CONTROLLERS (DMR)	
A	INDIAN BIDDERS	
6.71.1	ABB INDIA LTD	INDIA
6.71.2	GE INTELLIGENT PLATFORMS PVT LTD	INDIA
6.71.3	HONEYWELL AUTOMATION INDIA LTD.	INDIA
6.71.4	INVENSYS SOFTWARE SYSTEMS (S) PTE LTD (SCHNEIDER)	INDIA
6.71.5	LARSEN & TOUBRO LTD	INDIA
6.71.6	ROCKWELL AUTOMATION INDIA PVT LTD	INDIA
6.71.7	SIEMENS LTD - NASHIK	INDIA
6.71.8	YOKOGAWA INDIA LTD	INDIA
6.71.9	GE-FANUC AUTOMATION	INDIA
6.72	PROGRAMMABLE LOGIC CONTROLLERS (TMR/QMR, SIL3 CERTIFIED)	
A	INDIAN BIDDERS	
6.72.1	ABB INDIA LTD (BANGALORE)	INDIA
6.72.2	EMERSON PROCESS MANAGEMENT INDIA PVT LTD	INDIA
6.72.3	HONEYWELL AUTOMATION INDIA LTD.	INDIA
6.72.4	INVENSYS SOFTWARE SYSTEMS (S) PTE LTD (SCHNEIDER)	INDIA
6.72.5	ROCKWELL AUTOMATION INDIA PVT LTD	INDIA
6.72.6	YOKOGAWA INDIA LIMITED	INDIA

VENDOR LIST		
Sr.No	VENDOR NAME	COUNTRY
6.72.7	ICS TRIPLEX (EMEA) PLC	INDIA
6.73	PRESSURE GAUGES	
A	INDIAN BIDDERS	
6.73.1	AN INSTRUMENTS PVT LTD	INDIA
6.73.2	BAUMER TECHNOLOGIES INDIA PVT.LTD	INDIA
6.73.3	GAUGES BOURDON (I) PVT. LTD. (GEN.INST)	INDIA
6.73.4	GOA INSTRUMENTS INDUSTRIES PVT. LTD.	INDIA
6.73.5	H GURU INSTRUMENTS(SOUTH INDIA)PVT. LTD	INDIA
6.73.6	H.GURU INDUSTRIES	INDIA
6.73.7	MANOMETER (INDIA) PVT. LTD.	INDIA
6.73.8	Precision Mass Products Pvt. Ltd. (Old name: ASHCROFT INDIA PVT LTD)	INDIA
6.73.9	WALCHANDNAGAR INDUSTRIES LTD(TIWAC DIVN)	INDIA
6.73.10	WIKA INSTRUMENTS INDIA PVT LTD	INDIA
6.73.11	BAUMER BOURDON HAENNI SAS	INDIA
6.73.12	MASS PRODUCTS PVT. LTD	INDIA
6.73.13	BAUMER INDIA PVT LTD.	INDIA
6.74	DRAFT GAUGES	
A	INDIAN BIDDERS	
6.74.1	AN INSTRUMENTS PVT LTD	INDIA
6.74.2	GAUGES BOURDON (I) PVT. LTD. (GEN.INST)	INDIA
6.74.3	SWITZER PROCESS INSTRUMENTS PVT. LTD.	INDIA
6.74.4	WIKA	INDIA
6.75	DIFFERENTIAL PRESSURE GAUGES	
A	INDIAN BIDDERS	
6.75.1	AN INSTRUMENTS PVT LTD	INDIA
6.75.2	BAUMER TECHNOLOGIES INDIA PVT.LTD	INDIA
6.75.3	GAUGES BOURDON (I) PVT. LTD. (GEN.INST)	INDIA
6.75.4	HIRLEKAR PRECISION ENGINEERING PVT LTD	INDIA
6.75.5	SWITZER PROCESS INSTRUMENTS PVT. LTD.	INDIA
6.75.6	WIKA INSTRUMENTS INDIA PVT LTD	INDIA
6.75.7	HONEYWELL	INDIA
6.75.8	SAMSONS CONTROLS PVT LTD	INDIA
6.76	TEMP.GAUGES(BI METALLIC,FILLED SYSTEM)	

VENDOR LIST		
Sr.No	VENDOR NAME	COUNTRY
A	INDIAN BIDDERS	
6.76.1	AN INSTRUMENTS PVT LTD	INDIA
6.76.2	Precision Mass Products Pvt. Ltd. (Old name: ASHCROFT INDIA PVT LTD)	INDIA
6.76.3	BAUMER TECHNOLOGIES INDIA PVT.LTD	INDIA
6.76.4	GAUGES BOURDON (I) PVT. LTD. (GEN.INST)	INDIA
6.76.5	GOA INSTRUMENTS INDUSTRIES PVT. LTD.	INDIA
6.76.6	H GURU INSTRUMENTS(SOUTH INDIA)PVT. LTD	INDIA
6.76.7	H.GURU INDUSTRIES	INDIA
6.76.8	WALCHANDNAGAR INDUSTRIES LTD(TIWAC DIVN)	INDIA
6.76.9	WIKA INSTRUMENTS INDIA PVT LTD	INDIA
6.76.10	BAUMER BOURDON HAENNI SAS	INDIA
6.76.11	THERMAL INSTRUMENTS INDIA PVT LTD	INDIA
6.77	VARIABLE AREA FLOW METERS(I,T)	
A	INDIAN BIDDERS	
6.77.1	ABB AUTOMATION PRODUCTS GMBH / ABB LTD	INDIA
6.77.2	ALFLOW GLASS EQUIPMENTS	INDIA
6.77.3	BROOKS INSTRUMENT	INDIA
6.77.4	EUREKA INDUSTRIAL EQUIPMENTS (P) LTD.	INDIA
6.77.5	HEINRICHS MESSTECHNIK GMBH	INDIA
6.77.6	INSTRUMENTATION ENGINEERS PVT. LTD.	INDIA
6.77.7	KROHNE MARSHALL PVT. LTD	INDIA
6.77.8	PLACKA INSTRUMENTS INDIA P LTD	INDIA
6.77.9	YOKOGAWA INDIA LIMITED	INDIA
6.77.10	EMERSON PROCESS MANAGEMENT INDIA PVT LTD	INDIA
6.77.11	ROTA YOKOGAWA GMBH & CO. KG	INDIA
6.77.12	CHEMTROLS INDUSTRIES LTD	INDIA
6.78	MAGNETIC FLOW METERS	
A	INDIAN BIDDERS	
6.78.1	ABB AUTOMATION PRODUCTS GMBH / ABB LTD	INDIA
6.78.2	EMERSON PROCESS MANAGEMENT INDIA PVT LTD	INDIA
6.78.3	ENDRESS+HAUSER FLOWTEC (I) PVT. LTD.	INDIA
6.78.4	INSTRUMENTATION ENGINEERS PVT. LTD.	INDIA
6.78.5	KROHNE MARSHALL PVT. LTD	INDIA

VENDOR LIST		
Sr.No	VENDOR NAME	COUNTRY
6.78.6	YOKOGAWA INDIA LIMITED	INDIA
6.78.7	ENDRESS+HAUSER (I) PVT. LTD	INDIA
6.79	TERMINAL AUTOMATION SYSTEM	
A	INDIAN BIDDERS	
6.79.1	ADVANCED SYSTEK PVT LTD.	INDIA
6.79.2	EMERSON PROCESS MANAGEMENT INDIA PVT LTD	INDIA
6.79.3	HONEYWELL AUTOMATION INDIA LTD.	INDIA
6.79.4	LARSEN & TOUBRO LTD-MAHAPE	INDIA
6.79.5	CHEMTROLS INDUSTRIES LTD	INDIA
6.79.6	CHEMTROLS SAMIL (INDIA) PVT LTD (Old Name: CHEMTROLS INDUSTRIES LTD)	INDIA
6.80	POSITIVE DISPLACEMENT METERS	
A	INDIAN BIDDERS	
6.80.1	CAMERON LTD. (Group of Schlumberger Ltd)	INDIA
6.80.2	IDEX FLUID & METERING P.LTD	INDIA
6.80.3	TELTECH INSTRUMENTATION PVT.LTD.	INDIA
6.80.4	TOSHNIWAL HYVAC PVT. LTD.	INDIA
6.81	ULTRASONIC FLOW METER	
A	INDIAN BIDDERS	
6.81.1	CAMERON LTD. (Group of Schlumberger Ltd)	INDIA
6.81.2	DANIEL MEASUREMENT SOLUTIONS PVT LTD (EMERSON)	INDIA
6.81.3	ELSTER-INSTROMET INDIA PVT LTD (HONEYWELL)	INDIA
6.81.4	ENDRESS+HAUSER FLOWTEC (I) PVT. LTD.	INDIA
6.81.5	KROHNE MARSHALL PVT. LTD	INDIA
6.81.6	RMG REGEL+MESSTECHNIK GMBH	INDIA
6.81.7	SICK AG	INDIA
6.81.8	THERMO FISHER SCIENTIFIC	INDIA
6.81.9	GE INDIA INDUSTRIAL PVT LTD	INDIA
6.81.10	ENDRESS+HAUSER (I) PVT. LTD.	INDIA
6.82	VORTEX FLOW METER	
A	INDIAN BIDDERS	
6.82.1	ABB AUTOMATION PRODUCTS GMBH / ABB LTD	INDIA
6.82.2	EMERSON PROCESS MANAGEMENT INDIA PVT LTD	INDIA

VENDOR LIST		
Sr.No	VENDOR NAME	COUNTRY
6.82.3	ENDRESS+HAUSER FLOWTEC (I) PVT. LTD.	INDIA
6.82.4	KROHNE MARSHALL PVT. LTD	INDIA
6.82.5	RMG REGEL+MESSTECHNIK GMBH	INDIA
6.82.6	ENDRESS+HAUSER (I) PVT. LTD	INDIA
6.82.7	YOKOGAWA INDIA LTD	INDIA
6.83	TURBINE FLOW METERS	
A	INDIAN BIDDERS	
6.83.1	CAMERON LTD. (Group of Schlumberger Ltd)	INDIA
6.83.2	DANIEL MEASUREMENT SOLUTIONS PVT LTD (EMERSON)	INDIA
6.83.3	ELSTER-INSTROMET INDIA PVT LTD (HONEYWELL)	INDIA
6.83.4	RMG REGEL+MESSTECHNIK GMBH	INDIA
6.83.5	ROCKWIN FLOWMETER INDIA (P) LTD	INDIA
6.83.6	THERMO FISHER SCIENTIFIC	INDIA
6.84	MASS FLOW METERS	
A	INDIAN BIDDERS	
6.84.1	ABB AUTOMATION PRODUCTS GMBH	INDIA
6.84.2	BROOKS INSTRUMENT	INDIA
6.84.3	EMERSON PROCESS MANAGEMENT INDIA PVT LTD	INDIA
6.84.4	ENDRESS + HAUSER FLOWTEC (INDIA) PVT LTD	INDIA
6.84.5	KROHNE MARSHALL PVT. LTD	INDIA
6.84.6	KURZ INSTRUMENTS INC	INDIA
6.84.7	MAGNETROL INTERNATIONAL N.V	INDIA
6.84.8	RHEONIK MESSGERATE GMBH	INDIA
6.84.9	YOKOGAWA INDIA LIMITED	INDIA
6.84.10	ROTA YOKOGAWA GMBH & CO. KG	INDIA
6.84.11	ENDRESS+HAUSER (I) PVT. LTD.	INDIA
6.85	GAUGE GLASSES & COCKS	
A	INDIAN BIDDERS	
6.85.1	BLISS ANAND PVT LTD	INDIA
6.85.2	CESARE BONNETTI S.P.A.	INDIA
6.85.3	CHEMROLS SAMIL (INDIA) PVT LTD	INDIA
6.85.4	GAUGES BOURDON (I) PVT LTD (GEN. INST.)	INDIA
6.85.5	LEVCON INSTRUMENTS PVT LTD	INDIA

VENDOR LIST		
Sr.No	VENDOR NAME	COUNTRY
6.85.6	NISAN SCIENTIFIC PROCESS EQUIP. P LTD	INDIA
6.85.7	PRATOLINA INSTRUMENTS PVT LTD	INDIA
6.85.8	PUNE TECHTROL PVT LTD	INDIA
6.85.9	SIGMA INSTRUMENTS CO	INDIA
6.85.10	ASIAN INDUSTRIAL VALVES & INSTRUMENTS	INDIA
6.85.11	TECHNOMATIC INDIA PVT LTD	INDIA
6.86	DRUM LEVEL INSTRUMENTS (ELECTRONIC)	
A	INDIAN BIDDERS	
6.86.1	CESARE BONNETTI S.P.A.	INDIA
6.86.2	MOBREY LTD	INDIA
6.86.3	YARWAY CORPORATION	INDIA
6.86.4	CESARE BONNETTI INDIA PVT LTD	INDIA
6.87	DRUM LEVEL INSTRUMENTS (BI-COLOUR GAUGE)	
A	INDIAN BIDDERS	
6.87.1	CESARE BONNETTI S.P.A.	INDIA
6.87.2	CESARE BONNETTI INDIA PVT LTD	INDIA
6.88	TANK LEVEL INSTRUMENTS (FLOAT OPERATED)	
A	INDIAN BIDDERS	
6.88.1	ENDRESS+HAUSER YAMANASHI CO. LTD.	INDIA
6.88.2	ENRAF B.V. (GR. COMPANY OF HONEYWELL)	INDIA
6.88.3	NIVO CONTROLS PVT LTD	INDIA
6.88.4	SBEM PVT LTD	INDIA
6.88.5	SIGMA INSTRUMENTS CO	INDIA
6.88.6	EMERSON PROCESS MANAGEMENT	INDIA
6.89	MAGNETIC LEVEL INSTRUMENTS	
A	INDIAN BIDDERS	
6.89.1	ABB INC / ABB LTD	INDIA
6.89.2	BLISS ANAND PVT LTD	INDIA
6.89.3	CESARE BONNETTI S.P.A.	INDIA
6.89.4	GAUGES BOURDON (I) PVT LTD (GEN. INST.)	INDIA
6.89.5	KROHNE MARSHALL PVT. LTD	INDIA

VENDOR LIST		
Sr.No	VENDOR NAME	COUNTRY
6.89.6	LEVCON INSTRUMENTS PVT LTD	INDIA
6.89.7	MAGNETROL INTERNATIONAL N.V	INDIA
6.89.8	PRATOLINA INSTRUMENTS PVT LTD	INDIA
6.89.9	PUNE TECHTROL PVT LTD	INDIA
6.89.10	SHRIDHAN AUTOMATION PVT LTD	INDIA
6.89.11	SIGMA INSTRUMENTS CO	INDIA
6.89.12	CHEMTROLS INDUSTRIES LTD	INDIA
6.89.13	CHEMTROLS SAMIL (INDIA) PVT LTD (Old Name: CHEMTROLS INDUSTRIES LTD)	INDIA
6.89.14	TECHNOMATIC INDIA PVT LTD	INDIA
6.89.15	VEGA GRIESHABER KG	INDIA
6.89.16	CESARE BONNETTI INDIA PVT LTD	INDIA
6.90	SPL. LEVEL INSTRUMENTS-GUIDED WAVE RADAR	
A	INDIAN BIDDERS	
6.90.1	ABB INC / ABB LTD	INDIA
6.90.2	EMERSON PROCESS MANAGEMENT INDIA PVT LTD	INDIA
6.90.3	ENDRESS+HAUSER (I) AUTO. INSTR. PVT. LTD	INDIA
6.90.4	KROHNE MARSHALL PVT. LTD	INDIA
6.90.5	MAGNETROL INTERNATIONAL N.V	INDIA
6.90.6	VEGA GRIESHABER KG	INDIA
6.91	TANK FARM MANAGEMENT SYSTEM	
A	INDIAN BIDDERS	
6.91.1	ENDRESS+HAUSER (I) AUTO. INSTR. PVT. LTD	INDIA
6.91.2	ENRAF B.V. (GR. COMPANY OF HONEYWELL)	INDIA
6.91.3	ROSEMOUNT TANK RADAR AB (EMERSON PROCESS MANAGEMENT)	INDIA
6.91.4	SBEM PVT LTD	INDIA
6.91.5	VEGA GRIESHABER KG	INDIA
6.91.6	ENDRESS+HAUSER (I) PVT. LTD.	INDIA
6.92	TANK LEVEL INSTRUMENT (SERVO TYPE)	
A	INDIAN BIDDERS	
6.92.1	ENDRESS+HAUSER (I) PVT. LTD.	INDIA
6.92.2	ENRAF B.V. (GR. COMPANY OF HONEYWELL)	INDIA
6.92.3	SBEM PVT LTD	INDIA

VENDOR LIST		
Sr.No	VENDOR NAME	COUNTRY
6.92.4	ENDRESS+HAUSER YAMANASHI CO. LTD.	INDIA
6.93	SPECIAL LEVEL INSTRUMENTS (RF TYPE)	
A	INDIAN BIDDERS	
6.93.1	ABB INC / ABB LTD	INDIA
6.93.2	AMETEK DREXELBROOK	INDIA
6.93.3	ENDRESS+HAUSER (I) PVT. LTD.	INDIA
6.93.4	MAGNETROL INTERNATIONAL N.V	INDIA
6.93.5	MOBREY LTD	INDIA
6.94	SPECIAL LEVEL INSTRUMENTS (CAP.& COND.)	
A	INDIAN BIDDERS	
6.94.1	AMETEK DREXELBROOK	INDIA
6.94.2	ENDRESS+HAUSER (I) PVT. LTD.	INDIA
6.94.3	MAGNETROL INTERNATIONAL N.V	INDIA
6.94.4	MOBREY LTD	INDIA
6.94.5	SBEM PVT LTD	INDIA
6.94.6	VEGA GRIESHABER KG	INDIA
6.94.7	YARWAY CORPORATION	INDIA
6.94.8	SAPCON INSTRUMENTS PVT. LIMITED	INDIA
6.95	NUCLEONIC LEVEL INSTRUMENTS	
A	INDIAN BIDDERS	
6.95.1	ENDRESS+HAUSER (I) PVT. LTD.	INDIA
6.95.2	THERMO FISHER SCIENTIFIC	INDIA
6.95.3	TRACERCO LTD	INDIA
6.96	CLOSED CIRCUIT TV	
A	INDIAN BIDDERS	
6.96.1	COMMTTEL NETWORKS PVT LTD	INDIA
6.96.2	ELECTRONIC CORPORATION OF INDIA LTD.	INDIA
6.96.3	HONEYWELL AUTOMATION INDIA LTD.	INDIA
6.96.4	NELCO LTD	INDIA
6.96.5	PELCO	INDIA
6.96.6	PHILIPS	INDIA
6.96.7	SECURITY VISION	INDIA
6.96.8	TRANSIT ELECTRONICS PVT. LTD.	INDIA

VENDOR LIST		
Sr.No	VENDOR NAME	COUNTRY
6.96.9	DATALESS INFORMATION TECHNOLOGIES LTD	INDIA
6.97	FIELD INSTRUMENTS/TRANSMITTERS (P,DP,F,L,T,TD)	
A	INDIAN BIDDERS	
6.97.1	ABB INDIA LTD (BANGALORE)	INDIA
6.97.2	EMERSON PROCESS MANAGEMENT INDIA PVT LTD	INDIA
6.97.3	ENDRESS + HAUSER INDIA PVT LTD	INDIA
6.97.4	FUJI ELECTRIC SYSTEMS CO. LTD/FUJI ELECTRIC INDIA PVT LTD	INDIA
6.97.5	INVENSYS INDIA PRIVATE LIMITED	INDIA
6.97.6	YOKOGAWA INDIA LIMITED	INDIA
6.97.7	HONEYWELL AUTOMATION INDIA LIMITED	INDIA
6.97.8	ENDRESS + HAUSER WETZER INDIA PVT LTD	INDIA
6.97.9	SCHNEIDER ELECTRIC SYSTEMS INDIA PRIVATE LIMITED	INDIA
6.97.10	ABB AUTOMATION PRODUCTS GMBH	INDIA
6.98	TANK LEVEL INSTRUMENT (RADAR,ULTRASONIC)	
A	INDIAN BIDDERS	
6.98.1	EMERSON PROCESS MANAGEMENT INDIA PVT LTD	INDIA
6.98.2	ENDRESS+HAUSER (I) AUTO. INSTR. PVT. LTD	INDIA
6.98.3	ENRAF B.V. (GR. COMPANY OF HONEYWELL)	INDIA
6.98.4	KROHNE MARSHALL PVT. LTD	INDIA
6.98.5	MAGNETROL INTERNATIONAL N.V	INDIA
6.98.6	MOBREY LTD	INDIA
6.98.7	ROSEMOUNT TANK RADAR AB (EMERSON PROCESS MANAGEMENT)	INDIA
6.98.8	SIEMENS AG	INDIA
6.98.9	VEGA GRIESHABER KG	INDIA
6.98.10	VEGA INDIA LEVEL AND PRESSURE MEASUREMENT PVT LTD	INDIA
6.98.11	HONEYWELL AUTOMATION	INDIA
6.99	SPEED TANSMITTERS	
A	INDIAN BIDDERS	
6.99.1	ASEA BROWN BOVERY LTD (ABB LTD)	INDIA
6.99.2	HANS TURCK GMBH & CO. KG	INDIA
6.99.3	PEPPERL + FUCHS GMBH	INDIA
6.100	CONTROL PANEL & ACCESSORIES	

VENDOR LIST		
Sr.No	VENDOR NAME	COUNTRY
A	INDIAN BIDDERS	
6.100.1	ACCUSONIC CONTROLS PVT LTD	INDIA
6.100.2	CONTROL SYSTEMS ENGINEERS	INDIA
6.100.3	ELECTRONIC CORPORATION OF INDIA LTD.	INDIA
6.100.4	ELECTRONIC INSTRMNTATION & CONTROL P LTD	INDIA
6.100.5	INDUSTRIAL CONTROLS & APPLIANCES PVT LTD	INDIA
6.100.6	INSTRUMENTATION LTD	INDIA
6.100.7	IRIS AUTOMATION PVT LTD	INDIA
6.100.8	POSITRONICS PVT LTD	INDIA
6.100.9	PRIMA AUTOMATION INDIA PVT LTD	INDIA
6.100.10	PYROTECH ELECTRONICS PVT LTD	INDIA
6.100.11	RADHA KRISHNA CONTROLS	INDIA
6.101	PREFABRICATED INSTRUMENT HOOKUPS	
A	INDIAN BIDDERS	
6.101.1	ASTEC VALVES & FITTINGS PVT. LTD.	INDIA
6.101.2	COMFIT & VALVES PVT. LTD.	INDIA
6.101.3	EMERSON PROCESS MANAGEMENT INDIA PVT LTD	INDIA
6.101.4	FLUID CONTROLS PVT LTD	INDIA
6.101.5	HONEYWELL AUTOMATION INDIA LTD.	INDIA
6.102	SP. CONTROL VALVE (KNIFE GATE)	
A	INDIAN BIDDERS	
6.102.1	ORBINOX INDIA PVT. LTD	INDIA
6.102.2	PENTAIR VALVES & CONTROLS INDIA PVT LTD	INDIA
6.102.3	DRESSER VALVES	INDIA
6.102.4	EMERSON PROCESS MANAGEMENT INDIA PVT LTD	INDIA
6.102.5	VELAN ENGINEERING	INDIA
6.103	FIRE PROTECTION SYSTEM (VALVES & ACC.)	
A	INDIAN BIDDERS	
6.103.1	MBM AUTOMATION AND ROBOTICS	INDIA
6.103.2	SUMMIT TECHNODYNE PVT. LTD.	INDIA
6.104	ANALYSER-DENSITY/SP.GRAVITY(V.CYLNDR,CORLIS)	
A	INDIAN BIDDERS	
6.104.1	EMERSON PROCESS MANAGEMENT INDIA PVT LTD	INDIA

VENDOR LIST		
Sr.No	VENDOR NAME	COUNTRY
6.104.2	ENDRESS+HAUSER (I) PVT. LTD.	INDIA
6.104.3	KROHNE MARSHALL PVT. LTD	INDIA
6.104.4	MOBREY LTD	INDIA
6.104.5	THERMO FISHER SCIENTIFIC	INDIA
6.104.6	YOKOGAWA INDIA LIMITED	INDIA
6.105	ANALYSER (AIR DEMAND/TOTAL SULPHUR)	
6.106	AVERAGING PITOT TUBES	
A	INDIAN BIDDERS	
6.106.1	EMERSON PROCESS MANAGEMENT INDIA PVT LTD	INDIA
6.106.2	MICRO PRECISION PRODUCTS PVT LTD	INDIA
6.106.3	MINCO (INDIA) PVT LTD (GEN. INST.)	INDIA
6.106.4	STAR-MECH CONTROLS (INDIA) PVT LTD	INDIA
6.106.5	THERMO FISHER SCIENTIFIC	INDIA
6.106.6	VERIS INC.	INDIA
6.107	ANALYSERS (HYDROGEN SULPHIDE)	
A	INDIAN BIDDERS	
6.107.1	AMETEK	INDIA
6.107.2	SICK AG	INDIA
6.107.3	THERMO FISHER SCIENTIFIC	INDIA
6.108	VISCOSITY METER	
A	INDIAN BIDDERS	
6.108.1	MOBREY LTD	INDIA
6.108.2	ABB INDIA LTD	INDIA
6.108.3	EMERSON PROCESS MANAGEMENT INDIA PVT. LTD.	INDIA
6.108.4	PAC LP	INDIA
6.108.5	AMETEK INSTRUMENTS INDIA PVT. LTD.	INDIA
6.109	RUPTURE DISCS	
A	INDIAN BIDDERS	
6.109.1	BS & B SAFETY SYSTEMS (INDIA) LTD	INDIA
6.109.2	FIKE CORPORATION-USA	INDIA
6.110	METER PROVERS	
A	INDIAN BIDDERS	
6.110.1	DANIEL MEASUREMENT SOLUTIONS PVT LTD (EMERSON)	INDIA

VENDOR LIST		
Sr.No	VENDOR NAME	COUNTRY
6.110.2	EMC MEASUREMENT SOLUTION	INDIA
6.111	GAS PRESSURE REDUCING SKIDS	
A	INDIAN BIDDERS	
6.111.1	AUTOMETERS ENERGITEC LIMITED	INDIA
6.111.2	DANIEL MEASUREMENT SOLUTIONS PVT LTD (EMERSON)	INDIA
6.111.3	ELSTER-INSTROMET INDIA PVT LTD (HONEYWELL)	INDIA
6.111.4	MULTITEX FILTRATION ENGINEERS LTD.	INDIA
6.111.5	NIRMAL INDUSTRIAL CONTROL PVT. LTD.	INDIA
6.111.6	RMG REGEL+MESSTECHNIK GMBH	INDIA
6.111.7	ROCKWIN FLOWMETER INDIA (P) LTD	INDIA
6.111.8	CHEMTROLS INDUSTRIES LTD	INDIA
6.112	GAS METERING SYSTEM (ULTRASONIC)	
A	INDIAN BIDDERS	
6.112.1	DANIEL MEASUREMENT SOLUTIONS PVT LTD (EMERSON)	INDIA
6.112.2	ELSTER-INSTROMET INDIA PVT LTD (HONEYWELL)	INDIA
6.112.3	NIRMAL INDUSTRIAL CONTROL PVT. LTD.	INDIA
6.112.4	RMG REGEL+MESSTECHNIK GMBH	INDIA
6.112.5	CHEMTROLS INDUSTRIES LTD	INDIA
6.113	GAS METERING SYSTEM (TURBINE)	
A	INDIAN BIDDERS	
6.113.1	AUTOMETERS ENERGITEC LIMITED	INDIA
6.113.2	DANIEL MEASUREMENT SOLUTIONS PVT LTD (EMERSON)	INDIA
6.113.3	ELSTER-INSTROMET INDIA PVT LTD (HONEYWELL)	INDIA
6.113.4	NIRMAL INDUSTRIAL CONTROL PVT. LTD.	INDIA
6.113.5	RMG REGEL+MESSTECHNIK GMBH	INDIA
6.113.6	ROCKWIN FLOWMETER INDIA (P) LTD	INDIA
6.113.7	CHEMTROLS INDUSTRIES LTD	INDIA
6.114	GAS METERING SYSTEM -DUAL CHAMBR ORIFICE	
A	INDIAN BIDDERS	
6.114.1	CAMERON LTD. (Group of Schlumberger Ltd)	INDIA
6.114.2	DANIEL MEASUREMENT SOLUTIONS PVT LTD (EMERSON)	INDIA
6.114.3	FMC MEASUREMENT	INDIA
6.115	LIQUID METERING SYSTEM (ULTRASONIC)	

VENDOR LIST		
Sr.No	VENDOR NAME	COUNTRY
A	INDIAN BIDDERS	
6.115.1	DANIEL MEASUREMENT SOLUTIONS PVT LTD (EMERSON)	INDIA
6.115.2	KROHNE MARSHALL PVT. LTD	INDIA
6.116	LIQUID METERING SYSTEM (TURBINE)	
A	INDIAN BIDDERS	
6.116.1	CAMERON LTD. (Group of Schlumberger Ltd)	INDIA
6.116.2	DANIEL MEASUREMENT SOLUTIONS PVT LTD (EMERSON)	INDIA
6.116.3	ROCKWIN FLOWMETER INDIA (P) LTD	INDIA
6.116.4	THERMO FISHER SCIENTIFIC	INDIA
6.117	LIQUID METERING SYSTEM (P D METERS)	
A	INDIAN BIDDERS	
6.117.1	CAMERON LTD. (Group of Schlumberger Ltd)	INDIA
6.118	LIQUID METERING SYSTEM (MASS FLOW METER)	
A	INDIAN BIDDERS	
6.118.1	ADVANCE SYSTEK	INDIA
6.118.2	CHEMTROL INDUSTRIES LTD.	INDIA
6.118.3	DANIEL MEASUREMENT SOLUTIONS PVT LTD (EMERSON)	INDIA
6.118.4	FMC MEASUREMENT	INDIA
6.118.5	HONEYWELL	INDIA
6.118.6	RHEONIK MESSGERATE GMBH	INDIA
6.119	DISPLACER LEVEL INSTRUMENTS	
A	INDIAN BIDDERS	
6.119.1	BAKER HUGHES (GE OIL & GAS INDIA PVT LTD)	INDIA
6.119.2	EMERSON PROCESS MANGMNT CHENNAI PVT. LTD	INDIA
6.119.3	FOXBORO ECKARDT GMBH (SCHNEIDER)	INDIA
6.119.4	INVENSYS INDIA PRIVATE LIMITED (SCHNEIDER ELECTRIC SYSTEMS INDIA PRIVATE LIMITED)	INDIA
6.119.5	CHEMTROLS INDUSTRIES LTD	INDIA
6.119.6	DRESSER PRODUITS INDUSTRIELS	INDIA
6.119.7	DRESSER VALVE INDIA PVT LTD	INDIA
6.120	DISTRIBUTED CONTROL SYSTEMS	
A	INDIAN BIDDERS	
6.120.1	ABB INDIA LTD (BANGALORE)	INDIA

VENDOR LIST		
Sr.No	VENDOR NAME	COUNTRY
6.120.2	BHEL (For Power Plants)	INDIA
6.120.3	EMERSON PROCESS MANAGEMENT INDIA PVT LTD	INDIA
6.120.4	HONEYWELL AUTOMATION INDIA LTD.	INDIA
6.120.5	INVENSYS INDIA PRIVATE LIMITED (SCHNEIDER)	INDIA
6.120.6	SCHNEIDER ELECTRIC SYSTEMS INDIA PVT. LTD.	INDIA
6.120.7	SIEMENS LTD (FOR NON FOUNDATION FIELD BUS SYSTEM)	INDIA
6.120.8	YOKOGAWA INDIA LIMITED	INDIA
6.121	TELEPHONE AND PAGING SYSTEMS	
A	INDIAN BIDDERS	
6.121.1	ARMTTEL LIMITED	INDIA
6.121.2	DEE EM SYSTEMS	INDIA
6.121.3	FIBCOM INDIA LIMITED	INDIA
6.121.4	INDUSTRONIC IND.-ELEC.GMBH&CO.KG	INDIA
6.121.5	LARAON ENGINEERS & CONSULTANTS (NEUMAN)	INDIA
6.121.6	PHILIPS	INDIA
6.121.7	SIEMENS (UNIFY)	INDIA
6.121.8	AVAYA GLOBAL CONNECT	INDIA
6.121.9	AGC NETWORKS LTD	INDIA
6.121.10	BPL SYSTEMS AND PROJECTS LTD	INDIA
6.122	FOUNDATION FIELD BUS (FF JB'S)	
A	INDIAN BIDDERS	
6.122.1	MTL INDIA	INDIA
6.122.2	P&F	INDIA
6.122.3	R STAHL	INDIA
6.123	JUNCTION BOXES (Flame Proof)	
A	INDIAN BIDDERS	
6.123.1	BALIGA LIGHTNING	INDIA
6.123.2	FCG FLAME PROOF CONTROL GEARS	INDIA
6.123.3	FCG POWER INDUSTRIES PVT LTD	INDIA
6.123.4	FLAMEPROOF EQUIPMENTS PVT LTD	INDIA
6.123.5	FLEXPRO ELECTRICALS	INDIA
6.123.6	KAYSONS TECHNO EQUIPMENT P LTD.	INDIA
6.123.7	PETROLEUM SAFETY PRODUCTS IND. PVT. LTD.	INDIA

VENDOR LIST		
Sr.No	VENDOR NAME	COUNTRY
6.123.8	SUDHIR SWITCHGEARS PVT LTD	INDIA
6.124	FLAME SCANNERS	
A	INDIAN BIDDERS	
6.124.1	DURAG	INDIA
6.124.2	HONEYWELL	INDIA
6.125	PLC CABINETS / LOCAL CONTROL PANEL	
A	INDIAN BIDDERS	
6.125.1	BASE AUTOMATION INDIA	INDIA
6.125.2	INDUSTRIAL CONTROL & APPLIANCES	INDIA
6.125.3	MEGATECH CONTROLS	INDIA
6.125.4	POSITRONICS PVT. LTD	INDIA
6.125.5	PRIMA AUTOMATION INDIA PVT LTD	INDIA
6.125.6	PYROTECH ELECTRONICS PVT LTD	INDIA
6.125.7	RITTAL	INDIA
6.126	OPACITY ANALYSERS	
A	INDIAN BIDDERS	
6.126.1	CHEMTROLS INDUSTRIES LTD (SICK Germany)	INDIA
6.127	THERMAL MASS FLOWMETERS	
A	INDIAN BIDDERS	
6.127.1	EMERSON PROCESS MGMT	INDIA
6.127.2	FLUID COMPONENTS INTL	INDIA
6.127.3	GE SENSING	INDIA
6.127.4	KURZ INSTRUMENTS INC	INDIA
6.128	MCT BLOCKS	
A	INDIAN BIDDERS	
6.128.1	MCT BRATTBERG	INDIA
6.128.2	ROXTEC	INDIA
6.128.3	HILTI INDIA	INDIA
6.128.4	DELSEAL INDIA PVT. LTD.	INDIA
6.129	BARRIERS (IS) / BARRIERS (FF)	
A	INDIAN BIDDERS	
6.129.1	MTL	INDIA
6.129.2	P &F	INDIA

VENDOR LIST		
Sr.No	VENDOR NAME	COUNTRY
6.130	BEACONS / HOOTERS/ MCP	
A	INDIAN BIDDERS	
6.130.1	BALIGA LIGHTING EQUIPMENT PVT LTD	INDIA
6.130.2	CAEG FCG	INDIA
6.130.3	EX PROTECTA	INDIA
6.130.4	FLAMEPROOF EQUIPMENT PVT. LTD.	INDIA
6.130.5	FLEXPRO ELECTRICALS	INDIA
6.131	AIR FILTER REGULATORS	
A	INDIAN BIDDERS	
6.131.1	DONALDSON (INDIA)	INDIA
6.131.2	MARSH BELLOFRAM	INDIA
6.131.3	PALL	INDIA
6.131.4	PLACKA INSTRUMENTS INDIA P LTD	INDIA
6.131.5	SCHRADER DUNCAN LIMITED	INDIA
6.131.6	SHAVO NORGREN (I) PVT LTD	INDIA
6.131.7	DIVYA CONTROL ELEMENTS PVT LTD	INDIA
6.131.8	JANATICS INDIA PVT LTD	INDIA
6.131.9	SHAH PNEUMATICS	INDIA
6.131.10	VELJAN HYDRAIR PVT LTD	INDIA
6.131.11	JRU	INDIA
6.131.12	ABB LTD.	INDIA
6.131.13	FISHER SANMAR LIMITED	INDIA
6.132	ACCESS CONTROL SYSTEM	
A	INDIAN BIDDERS	
6.132.1	ALE INDIA PVT. LTD.	INDIA
6.132.2	ASCENT NETWORKS PRIVATE LIMITED	INDIA
6.132.3	BOSCH LIMITED	INDIA
6.132.4	COMMTEL NETWORKS PVT. LIMITED	INDIA
6.133	ANALYSER SHELTER	
A	INDIAN BIDDERS	
6.133.1	ABB INDIA LTD	INDIA
6.133.2	AXIS SOLUTIONS PVT. LTD.	INDIA
6.133.3	EMERSON PROCESS MANAGEMENT INDIA PVT LTD	INDIA

VENDOR LIST		
Sr.No	VENDOR NAME	COUNTRY
6.133.4	PYROTECH ELECTRONICS PVT LTD	INDIA
6.133.5	BARTEC INDIA PRIVATE LIMITED (BETTEC BENKE GMBH)	INDIA
6.133.6	ADAGE AUTOMATION PVT. LTD. (Siemens)	INDIA
6.133.7	YOKOGAWA INDIA LIMITED	INDIA
6.133.8	CHEMTROLS INDUSTRIES LTD	INDIA
6.134	LOOP POWERED INDICATORS	
A	INDIAN BIDDERS	
6.134.1	EMERSON PROCESS MANAGEMENT INDIA PVT LTD	INDIA
6.134.2	ENDRESS+HAUSER WETZER GMBH+ CO.KG	INDIA
6.134.3	HONEYWELL AUTOMATION INDIA LTD	INDIA
6.134.4	INVENSYS INDIA PVT LTD (SCHNEIDER ELECTRIC INDIA PVT. LTD.)	INDIA
6.134.5	MTL INSTRUMENTS PVT LTD	INDIA
6.134.6	YOKOGAWA INDIA LIMITED	INDIA
6.134.7	ABB	INDIA
6.135	FIRE PROOFING FOR INSTRUMENT ITEMS (FOR CABLE TRAYS/DUCTS)	
A	INDIAN BIDDERS	
6.135.1	LOYDS INSULATION	INDIA
6.135.2	THERMAL CERAMICS	INDIA
6.135.3	UNIFRAX INDIA LTD	INDIA
6.136	SUNSHADE FOR FIELD INSTRUMENTS	
A	INDIAN BIDDERS	
6.136.1	FIBROCHEM INDUSTRIES	INDIA
6.136.2	LOTUS FIBRE	INDIA
6.137	METER RUN ASSEMBLY (INTEGRAL ORIFICE)	
A	INDIAN BIDDERS	
6.137.1	EMERSON	INDIA
6.137.2	YOKOGAWA	INDIA
6.138	PROXIMITY TYPE LIMIT SWITCH	
A	INDIAN BIDDERS	
6.138.1	HONEYWELL INC	INDIA
6.138.2	PEPPERL & FUCHS	INDIA
6.139	POSITION INDICATION SWITCHBOXES	
A	INDIAN BIDDERS	

VENDOR LIST		
Sr.No	VENDOR NAME	COUNTRY
6.139.1	FLOWSERVE	INDIA
6.139.2	WESTLOCK	INDIA
6.140	TERMINAL BLOCKS	
A	INDIAN BIDDERS	
6.140.1	ELEMEX	INDIA
6.140.2	PHONIX	INDIA
6.140.3	CONNECTWELL	INDIA
6.140.4	WEILDMULLER	INDIA
6.141	CABLE TRAY	
A	INDIAN BIDDERS	
6.141.1	METALLEMS	INDIA
6.141.2	GLOBE ELECTRIC	INDIA
6.141.3	INDIANA	INDIA
6.141.4	RATAN ENGINEERING	INDIA
6.141.5	IDS COMPOSITES	INDIA
6.141.6	NATIONAL GALVANISER	INDIA
6.141.7	VATCO	INDIA
6.141.8	STEELITE	INDIA
6.141.9	INDIANA GRATINGS	INDIA
6.141.10	DECO ENTERPRISE	INDIA
6.141.11	PREMIER POWER PRODUCT (CAL) PVT LTD	INDIA
6.141.12	INDIA ELECTRICALS SYNDICATE	INDIA
6.141.13	JAMUNA METALS	INDIA
6.141.14	UNITECH FABRICATORS & ENGINEERS PVT LTD	INDIA
6.142	INSTRUMENT DB&B BALL VALVES	
A	INDIAN BIDDERS	
6.142.1	ASTEC VALVES & FITTINGS PVT. LTD.	INDIA
6.142.2	CIRCOR INSTR. TECHNOLOGIES INC	INDIA
6.142.3	COMFIT & VALVES PVT. LTD.	INDIA
6.142.4	PARKER HANNIFIN CORPORATION	INDIA
6.142.5	SWAGELOK CO.	INDIA
6.142.6	HAVI ENGINEERING	INDIA
6.143	MOTOR OPERATED VALVES	

VENDOR LIST

Sr.No	VENDOR NAME	COUNTRY
A	INDIAN BIDDERS	
6.143.1	L&T VALVES	INDIA
6.143.2	CESARE BONETTI	INDIA
6.143.3	XOMOX SANMAR LTD	INDIA
6.143.4	ADAMS	INDIA
6.143.5	AMPO POYAM	INDIA
6.143.6	ADVANCE VALVES	INDIA
6.143.7	FASANI SPA / PENTAIR	INDIA
6.143.8	FLOWSERVE	INDIA
6.144	CORROSION COUPONS	
6.145	OPTICAL PYROMETERS	
6.146	SPECIAL CONTROL VALVES (AXIAL)	
6.147	SPECIAL CONTROL VALVES (PISTON)	
6.148	AUTOMATIC GAS SAMPLER	
A	INDIAN BIDDERS	
6.148.1	CAMERON LTD. (Group of Schlumberger Ltd)	INDIA
6.149	PRODUCT QUALITY ANALYSERS (RVP)	
A	INDIAN BIDDERS	
6.149.1	BARTEC GMBH	INDIA
6.149.2	ATAC	INDIA
6.150	TARGET FLOWMETERS	
6.151	RECEIVER INSTRUMENTS	
A	INDIAN BIDDERS	
6.151.1	YOKOGAWA INDIA LIMITED	INDIA
6.152	INFRARED TEMP MEASUREMENT SYSTEM	
6.153	ANTI SURGE CONTROL	
6.154	SPEED GOVERNOR FOR TURBINE	
6.155	PRESSURE SWITCHES	
A	INDIAN BIDDERS	

VENDOR LIST		
Sr.No	VENDOR NAME	COUNTRY
6.155.1	ASCO JOUCOMATIC LTD	INDIA
6.155.2	BAUMER BOURDON HAENNI SAS	INDIA
6.155.3	DAG PROCESS INSTRUMENTS PVT LTD	INDIA
6.155.4	INDFOS INDUSTRIES LIMITED	INDIA
6.155.5	KAUSTUBHA UDYOG	INDIA
6.155.6	SWITZER PROCESS INSTRUMENTS PVT. LTD.	INDIA
6.155.7	UNITED ELECTRIC CONTROLS CO	INDIA
6.155.8	GAUGES BOURDON (I) PVT LTD (GEN. INST.)	INDIA
6.156	SPECIAL CONTROL VALVES (ECC ROTARY PLUG)	
A	INDIAN BIDDERS	
6.156.1	DRESSER VALVES INDIA PVT. LIMITED (GE INDIA)	INDIA
6.156.2	EMERSON PROCESS MANGMNT CHENNAI PVT. LTD	INDIA
6.156.3	FLOWSERVE INDIA CONTROLS PVT. LTD.	INDIA
6.156.4	METSO AUTOMATION	INDIA
6.156.5	SAMSON CONTROLS PVT. LIMITED	INDIA
6.156.6	INSTRUMENTATION LTD	INDIA
6.157	BLENDING AUTOMATION SYSTEMS	
A	INDIAN BIDDERS	
6.157.1	ABB LTD	INDIA
6.157.2	EMERSON PROCESS MGMT	INDIA
6.157.3	HONEYWELL AUTOMATION INDIA LTD	INDIA
6.157.4	INVENSYS	INDIA
6.157.5	YOKOGAWA INDIA LIMITED	INDIA
6.158	GAUGE GLASSES & COCKS (HIGH PRESSURE SERVICES 900# & ABOVE)	
A	INDIAN BIDDERS	
6.158.1	CESARE BONNETTI S.P.A.	INDIA
6.158.2	LEVCON INSTRUMENTS PVT LTD	INDIA
6.158.3	NISAN SCIENTIFIC PROCESS EQUIP. P LTD	INDIA
6.158.4	PUNE TECHTROL PVT LTD	INDIA
6.159	MAGNETIC LEVEL GAUGES (HIGH PRESSURE SERVICES 900# & ABOVE)	
A	INDIAN BIDDERS	
6.159.1	BLISS ANAND PVT LTD	INDIA
6.159.2	CHEMTROLS SAMIL	INDIA

VENDOR LIST		
Sr.No	VENDOR NAME	COUNTRY
6.160	PORTABLE NUCLEONIC SURVEY METER (BETA-GAMMA-NEUTRON)	
6.161	SP CONTROL VALVES (ECCENTRIC DISC HI PERFORMANCE TYPE)	
A	INDIAN BIDDERS	
6.161.1	GE INDIA INDUSTRIAL PVT LTD (DRESSER)	INDIA
6.161.2	EMERSON PROCESS MGMT.	INDIA
6.161.3	FLOWSERVE	INDIA
6.161.4	METSO	INDIA
6.161.5	TYCO VALVES & CONTROLS	INDIA
6.161.6	PENTAIR VALVES & CONTROLS INDIA PVT LTD	INDIA
6.162	SPECIAL CONTROL VALVES (SEGMENTAL)	
A	INDIAN BIDDERS	
6.162.1	GE INDIA INDUSTRIAL PVT LTD (DRESSER)	INDIA
6.162.2	EMERSON PROCESS MGMT.	INDIA
6.162.3	FLOWSERVE	INDIA
6.162.4	METSO	INDIA
6.162.5	PENTAIR VALVES & CONTROLS INDIA PVT LTD	INDIA
6.162.6	SAMSON AG	INDIA
6.163	SPECIAL CONTROL VALVES (BALL CONTROL)	
A	INDIAN BIDDERS	
6.163.1	FLOWSERVE INDIA CONTROL PVT LTD-BANGALORE	INDIA
6.163.2	METSO	INDIA
6.163.3	PENTAIR VALVES & CONTROLS INDIA PVT LTD	INDIA
6.163.4	TYCO VALVES & CONTROLS	INDIA
6.164	SPECIAL CONTROL VALVES (VARIABLE CV)	
A	INDIAN BIDDERS	
6.164.1	GE INDIA INDUSTRIAL PVT LTD (DRESSER)	INDIA
6.164.2	MIL CONTROLS LIMITED	INDIA
6.164.3	INSTRUMENTATION LTD	INDIA
6.165	SPECIAL CONTROL VALVES (LOW CV)	
A	INDIAN BIDDERS	
6.165.1	GE INDIA INDUSTRIAL PVT LTD (DRESSER)	INDIA
6.165.2	EMERSON PROCESS MGMT.	INDIA
6.165.3	FLOWSERVE	INDIA

VENDOR LIST		
Sr.No	VENDOR NAME	COUNTRY
6.165.4	INSTRUMENTATION LTD	INDIA
6.165.5	MIL CONTROLS LIMITED	INDIA
6.166	SAFETY VALVE BOILER SERVICE	
A	INDIAN BIDDERS	
6.166.1	BHEL (TRICHY)	INDIA
6.166.2	INSTRUMENTATION LIMITED	INDIA
6.166.3	TYCO SANMAR LTD	INDIA
6.167	INTERFACE DEVICES	
A	INDIAN BIDDERS	
6.167.1	MTL INSTRUMENTS	INDIA
6.167.2	PEPPERL + FUCHS	INDIA
6.168.1	AUMA INDIA PRIVATE LTD	INDIA
6.168.2	CAIR EUROMATIC AUTOMATION PVT LTD	INDIA
6.168.3	FLOWERVE LIMITORQUE	INDIA
6.168.4	LIMITORQUE INDIA LIMITED	INDIA
6.168.5	MARSH AUTOMATION PVT. LTD.	INDIA
6.168.6	ROTORK CONTROLS (INDIA) LTD	INDIA
6.169	PROCESS STREAM ANALYSERS(ELECTROCHEM-02)	
A	INDIAN BIDDERS	
6.169.1	ABB LTD	INDIA
6.169.2	EMERSON PROCESS MGMT.	INDIA
6.169.3	GE SENSING EMEA	INDIA
6.169.4	METTLER - TOLEDO AG	INDIA
6.170	ALARM PANEL / ALARM ANNUNCIATOR	
A	INDIAN BIDDERS	
6.170.1	ELECTRONIC CORPORATION OF INDIA LTD	INDIA
6.170.2	INSTALARM INSTRUMENTS PVT LTD	INDIA
6.170.3	MINILEC (INDIA) PVT LTD	INDIA
6.170.4	MTL INSTRUMENTS PVT LTD	INDIA
6.170.5	PROCON INSTRUMENTATION PVT LTD	INDIA
6.170.6	ICA	INDIA
6.170.7	IIC	INDIA
6.171	PUSH BUTTON AND INDICATING LAMPS	

VENDOR LIST		
Sr.No	VENDOR NAME	COUNTRY
A	INDIAN BIDDERS	
6.171.1	C & S ELECTRIC LTD	INDIA
6.171.2	ESSEN DEINKI	INDIA
6.171.3	HOTLINE SWITCHGEAR & CONTROLS	INDIA
6.171.4	LARSEN & TOUBRO LTD	INDIA
6.171.5	PRECIFINE PRODUCTS PVT LTD	INDIA
6.171.6	SCHNEIDER ELECTRIC INDIA PVT LTD	INDIA
6.171.7	SHRI TULSI SWITCHGEARS PVT LTD	INDIA
6.171.8	SIEMENS LIMITED	INDIA
6.171.9	STANDARD ELECTRICALS LTD	INDIA
6.171.10	IDEC-IZUMI	INDIA
6.171.11	R. STAHL (P) LTD	INDIA
6.171.12	TEKNIK	INDIA
6.172	TUBE FITTINGS (SEAL OIL, LUBE OIL, HYDROCARBON & OTHER CRITICAL APPLICATIONS)	
A	INDIAN BIDDERS	
6.172.1	SWAGELOK CO.	INDIA
6.172.2	ASTEC	INDIA
6.172.3	EXCEL-HYDRO	INDIA
6.172.4	ARYA CRAFTS & ENGINEERING PVT LTD	INDIA
6.172.5	CIRCOR INSTR. TECHNOLOGIES INC- FORM.H608	INDIA
6.172.6	COMFIT & VALVES PVT. LTD.	INDIA
6.172.7	EXCELSIOR ENGG. WORKS	INDIA
6.172.8	FLUID CONTROLS PVT LTD	INDIA
6.172.9	MULTIMETAL INDUSTRIES	INDIA
6.172.10	PANAM ENGINEERS	INDIA
6.172.11	PRECISION ENGINEERING INDUSTRIES	INDIA
6.172.12	PRIME ENGINEERS	INDIA
6.172.13	RELIANCE ENGINEERING & ELECTRICALS CORPN	INDIA
6.172.14	SEALEXCEL (INDIA) PVT. LTD.	INDIA
6.172.15	SWASTIK ENGINEERING WORKS	INDIA
6.172.16	TK FUJIKIN CORPORATION	INDIA
A	INDIAN BIDDERS	

VENDOR LIST		
Sr.No	VENDOR NAME	COUNTRY
6.173.1	MTL (6000 SERIES)	INDIA
6.173.2	PEPPERL & FUCHS	INDIA
6.174	CONTROL VALVE - ANGLE TYPE	
A	INDIAN BIDDERS	
6.174.1	METSO AUTOMATION PTE LTD	INDIA
6.175	I/P CONVERTER	
A	INDIAN BIDDERS	
6.175.1	EMERSON PROCESS MANAGEMENT INDIA PVT. LTD.	INDIA
6.175.2	M.T.L INSTRUMENTS PVT. LTD.	INDIA
6.176	FLOW METER ULTRASONIC TYPE - For Flare Gas Application	
A	INDIAN BIDDERS	
6.176.1	GE SENSING	INDIA
6.176.2	SICK AG	INDIA
6.177	CLAMP-ON ULTRASONIC FLOW TRANSMITTER	
A	INDIAN BIDDERS	
6.177.1	KROHNE MARSHALL PVT. LTD.	INDIA
6.178	INSTRUMENT VALVES & MANIFOLDS FOR ANALYSERS / SAMPLING SYSTEMS	
A	INDIAN BIDDERS	
6.178.1	SWAGELOK CO.	INDIA
6.178.2	PARKER HANNIFIN CORPORATION	INDIA
6.178.3	HOKE	INDIA
6.179	PRESSURE REGULATOR FOR ANALYSERS / SAMPLING SYSTEMS	
A	INDIAN BIDDERS	
6.179.1	SWAGELOK CO	INDIA
6.179.2	GO	INDIA
6.179.3	TESCOM	INDIA
6.179.4	PRESSURE TECH	INDIA
6.180	GAS CYLINDER PRESSURE REGULATOR DUAL STAGE WITH PRESSURE GAUGE & SAFETY VALVE FOR ANALYSERS / SAMPLING SYSTEMS	
A	INDIAN BIDDERS	
6.180.1	GO	INDIA
6.180.2	GCE DRUVA	INDIA

VENDOR LIST		
Sr.No	VENDOR NAME	COUNTRY
6.180.3	INOX	INDIA
6.180.4	BALDOTA	INDIA
6.180.5	CP ENGG	INDIA
6.181	PELTIER / COMPRESSOR COOLER FOR GAS SAMPLE FOR ANALYSERS / SAMPLING SYSTEMS	
A	INDIAN BIDDERS	
6.181.1	BUHLER	INDIA
6.181.2	M&C	INDIA
6.181.3	JCT	INDIA
6.182	DIAPHRAGM PUMP SINGLE / DOUBLE STAGE / HEAD PUMP FOR GAS SAMPLE FOR ANALYSERS / SAMPLING SYSTEMS	
A	INDIAN BIDDERS	
6.182.1	KNF	INDIA
6.182.2	BUHLER	INDIA
6.182.3	M&C	INDIA
6.183	PURGE CONTROLLER FOR PANEL FOR ANALYSERS / SAMPLING SYSTEMS	
A	INDIAN BIDDERS	
6.183.1	BARTEC	INDIA
6.183.2	PEPPERL-FUCHS	INDIA
6.184	VORTEX COOLER FOR ANALYSERS FOR ANALYSERS / SAMPLING SYSTEMS	
A	INDIAN BIDDERS	
6.184.1	THERMOMEGATECH	INDIA
6.185	FILTERS FOR ANALYSERS / SAMPLING SYSTEMS	
A	INDIAN BIDDERS	
6.185.1	BLASTON	INDIA
6.185.2	CLASSIC	INDIA
6.185.3	HEADLINE FILTERS	INDIA
6.185.4	GENIE MEMBRANE	INDIA
6.186	HOT EXTRACTION SAMPLE PROBE FOR ANALYSERS / SAMPLING SYSTEMS	
A	INDIAN BIDDERS	
6.186.1	JCT	INDIA
6.186.2	BUHLER	INDIA


VENDOR LIST		
Sr.No	VENDOR NAME	COUNTRY
6.187	BULK POWER SUPPLY WITH SMPS (24 V DC) FOR ANALYSERS / SAMPLING SYSTEMS	
A	INDIAN BIDDERS	
6.187.1	PHOENIX CONTACT	INDIA
6.187.2	SIEMENS	INDIA
6.187.3	COSEL	INDIA
6.188	ETHERNET SWITCHES	
6.189	HMI SOFTWARE	
6.190	ELECTROMECHANICAL RELAY	
A	INDIAN BIDDERS	
6.190.1	OEN	INDIA
6.190.2	HONEYWELL	INDIA
6.190.3	ABB INDIA LTD (BANGALORE)	INDIA
6.190.4	ALSTOM T & D INDIA LTD (FORMLY A347)	INDIA
6.190.5	DANISH PRIVATE LIMITED	INDIA
6.190.6	EASUN REYROLLE LTD	INDIA
6.190.7	ENPRO INDUSTRIAL AUTOMATION PVT LTD	INDIA
6.190.8	GE INDIA INDUSTRIAL PVT LTD	INDIA
6.190.9	SIEMENS LIMITED	INDIA
6.191	CONDITION MONITORING SYSTEM	
6.191.1	BENTLY NEVADA INC (SYSTEM-1)	

ANNEXURE-2



**EPCM SERVICES FOR CCR-1 REGENERATOR REVAMP
PROJECT AT MRPL, MANGALURU**

CONSTRUCTABILITY STUDY REPORT

0	07.01.2022	Issued for Review	GVK	HAS	HAS
Rev.	Date	Description	Prpd.	Chkd.	Appd.
 Triune Energy Services Pvt. Ltd. New Delhi		CONSTRUCTABILITY STUDY REPORT	Document Number		Rev.
			9675-02-OT-001		0
			Sheet 1 of 67		



TRIUNE

CCR 1 JOB SEQUENCE PLAN FROM EL.+0000 TO +46000

MECHANICAL

- A) DEMOLITION / DISMANTLING**

- B) REPLACEMENT**

- C) MODIFICATION**

- D) NEW EQUIPMENT**



A) DEMOLITION / DISMANTLING

- 1) Vent Gas Wash Tower (DA-2451)**
- 2) Caustic Break Tank (FA-2463)**
- 3) Water Break Tank (FA-2464)**
- 4) Caustic Cooler (EA-2453)**
- 5) Scrubber Circulating Pump (GA-2451 A/B)**
- 6) Caustic Injection Pump Suction Filter (FG-2452)**
- 7) Water Injection Pump Suction Filter (FG-2453)**
- 8) Caustic Injection Pump (GA-2453 A/B)**
- 9) Water Injection Pump (GA-2454 A/B)**
- 10) Venturi Scrubber (PA-2453)**



B) REPLACEMENT OF EQUIPMENT

- 1) Electric Heater (BI-2453)**
- 2) Flow Control Hopper (FA-2454)**
- 3) Filters (FG-2451, FG-2454, FG-2455, FG-2456, FG-2457 & FG-2458)**
- 4) Coalescers (FD-2451 & FD-2452)**
- 5) Lift Gas Blower (GB-2451)**
- 6) Air Dryer Package (FF-2451)**
- 7) Dust Collector (CD-2451)**
- 8) Disengaging Hopper (FA-2453)**
- 9) Organic Chloride Injection Pump (GA-2452 A/B)**
- 10) Packinox (EA-2401)**



C) NEW EQUIPMENT

- 1) Preheat Gas Heater (EA-2454)**
- 2) Air Preheater (EA-2456)**
- 3) Vent Gas Cooler (EA-2455)**
- 4) Regeneration Cooler no-2 (EC-2451B)**
- 5) Vent Drum (FA-2465 & FA-2466)**

D) MODIFICATION

- 1) Lock Hopper No-1 (FA-2451)**
- 2) Lift Engager No-1 (FA-2452)**
- 3) Surge Hopper (FA-2455)**
- 4) Lock Hopper No-2 (FA-2456)**
- 5) Lift Engager No-2 (FA-2457)**
- 6) Regeneration Tower Screen (DC-2451)**



LICENSOR:



A) DEMOLITION / DISMANTLING

1) Vent Gas Wash Tower (DA-2451)



Job	Dismantling
Dimension	457~ mmdia x 7380~mm lg.
Weight	1.5 Ton ~
Elevation	+ 13m
Work Period	During Shut Down
Lifting by	Crane 100 Ton
Lifting Radius	12 Mtr
Floor	4 th
Crane Location	South Side of equipment

S.No	Activity
1)	Flushing of the Equipment & Hydrocarbon free (By MRPL)
2)	Dismantle all interconnecting piping, flange joints & Open Foundation Bolts
3)	South Side Handrail & Bracings to be removed and re-installed.
4)	Place of Crane on South Side of equipment. Temporary lifting hook to be provided on the top of structure to provide the chain block. Transfer & bringing down of equipment to the ground floor and loading of equipment by Crane on trailer.



LICENSOR:



TRIUNE

5)	After Dismantling of the equipment, all floor openings shall be closed with chqrd. Plate..
----	--

2) Caustic Break Tank (FA-2463)



Job	Dismantling
Dimension	300~ mmdia x 1524~mm lg.
Weight	0.2 Ton ~
Elevation	Ground level
Work Period	During Shut Down
Lifting by	Farana F-23
Lifting Radius	5Mtr
Crane Location	South Side of equipment

S.No	Activity
1)	Flushing of the Equipment & Hydrocarbon free (By MRPL)
2)	Dismantle all interconnecting piping, flange joints & Open Foundation Bolts
3)	Place of Farana on South Side of equipment. Lifting & loading of equipment by Farana on trailer.



3) Water Break Tank (FA-2464)



Job	Dismantling
Dimension	300~ mmdia x 1524~mm lg.
Weight	0.15 Ton ~
Elevation	Ground level
Work Period	During Shut Down
Lifting by	Farana F-23
Lifting Radius	5Mtr
Crane Location	South Side of equipment

S.No	Activity
1)	Flushing of the Equipment & Hydrocarbon free (By MRPL)
2)	Dismantle all interconnecting piping, flange joints & Open Foundation Bolts
3)	Place of Farana on South Side of equipment. Lifting & loading of equipment by Farana on trailer.

4) Caustic Cooler (EA-2453)



Job	Dismantling
Dimension	273~ mmdia x 3758~mm lg.
Weight	1Ton ~
Elevation	3.5 mtr
Work Period	During Shut Down
Lifting by	Farana F-23
Lifting Radius	5Mtr
Crane Location	South Side of equipment
Floor	1 st

S.No	Activity
1)	Flushing of the Equipment & Hydrocarbon free (By MRPL)
2)	Dismantle all interconnecting piping, flange joints & Open Foundation Bolts. Dismantle Handrail south side.
3)	Place of Farana on South Side of equipment. Lifting & Bringing down of the equipment to ground floor and loading of equipment by Farana on trailer.



5) Scrubber Circulation Pump (GA-2451 A/B)



Job	Dismantling
Weight	0.075Ton ~
Elevation	Ground Level
Work Period	During Shut Down
Lifting by	Farana F-23
Lifting Radius	5Mtr
Crane Location	South Side of equipment

S.No	Activity
1)	Flushing of the Equipment & Hydrocarbon free (By MRPL)
2)	Dismantle all interconnecting piping, flange joints & Open Foundation Bolts
3)	Place of Farana on South Side of equipment. Lifting & loading of equipment by Farana on trailer.



6) Caustic Injection Pump Suction Filter (FA-2452)



Job	Dismantling
Weight	20 Kgs ~
Elevation	Ground Level
Work Period	During Shut Down
Lifting by	Manual Handling

S.No	Activity
1)	Flushing of the Equipment & Hydrocarbon free (By MRPL)
2)	Dismantle all interconnecting piping, flange joints.
3)	Lift manually & place it on Trailer south side.



7) Water Injection Pump Suction Filter (FG-2453)



Job	Dismantling
Dimension	100~ mmdia x 300~mm lg.
Elevation	Ground Level
Work Period	During Shut Down
Lifting by	Manual Handling

S.No	Activity
1)	Flushing of the Equipment & Hydrocarbon free (By MRPL)
2)	Dismantle all interconnecting piping, flange joints.
3)	Lift manually & place it on Trailer south side.

8) Caustic Injection Pump (GA-2453 A/B)



Job	Dismantling
Weight	0.040 Ton~
Elevation	Ground Level
Work Period	During Shut Down
Lifting by	Farana-F23
Lifting Radius	3.5Mtr
Crane Location	West Side of equipment

S.No	Activity
1)	Flushing of the Equipment & Hydrocarbon free (By MRPL)
2)	Dismantle all interconnecting piping, flange joints & foundation & bolts
3)	Place Farana on West Side of equipment. Lifting & loading of equipment by Farana on trailer.

9) Water Injection Pump (GA-2454 A/B)



Job	Dismantling
Weight	0.050 Ton ~
Elevation	Ground Level
Work Period	During Shut Down
Lifting by	Farana-F23
Lifting Radius	3.5Mtr
Crane Location	South Side of equipment

S.No	Activity
1)	Flushing of the Equipment & Hydrocarbon free (By MRPL)
2)	Dismantle all interconnecting piping, flange joints, foundation & bolts
3)	Place of Farana on South Side of equipment. Lifting & loading of equipment by Farana on trailer.



10) Venturi Scrubber (PA-2453)



Job	Dismantling
Dimension	6" x 1500~mm lg.
Weight	100 Kgs ~
Elevation	13 Mtr
Work Period	During Shut Down
Lifting by	By Chain Block
Location	East Side near Wash Tower

S.No	Activity
1)	Flushing of the Equipment & Hydrocarbon free (By MRPL)
2)	Dismantle all interconnecting piping & flange joints.
3)	Bring down manually and loaded on Trailer.



B) REPLACEMENT OF EQUIPMENT



- 1) Electric Heater (BI-2453)**
- 2) Flow Control Hopper (FA-2454)**
- 3) Filters (FG-2451, FG-2454, FG-2455, FG-2456, FG-2457 & FG-2458)**
- 4) Coalescers (FD-2451 & FD-2452)**
- 5) Lift Gas Blower (GB-2451)**
- 6) Air Dryer Package (FF-2451)**
- 7) Dust Collector (CD-2451)**
- 8) Disengaging Hopper (FA-2453)**
- 9) Organic Chloride Injection Pump (GA-2452 A/B)**
- 10) Packinox (EA-2401)**

1) ELECTRICAL HEATER (BI-2453)



Job	Replacement
Dimension	510mm wide x 4200mm lg x 2000 mm ht.
Weight	2.2 Ton ~
Elevation	TOS EL + 17000
Work Period	During Shut Down
Lifting by	Crane 100 Tons
Lifting Radius	~15Mtr
Crane Lift Ht.	21.5Mtrs
Crane Location	West Side of equipment near column 17, 18 & 19

S.No	Activity
1)	Flushing of the Equipment & Hydrocarbon Free (By MRPL)
2)	Lifting Hook to be welded on top of the beam to install the Chain Block.



LICENSOR:



TRIUNE

3)	Remove Insulation of the equipment and Dismantle all interconnecting piping, flange joints & dismantle spring supports. All Electrical & Instrumentation connections de-energize.
4)	Temporary Lifting hook to be welded on the top of the structure to install the chain block.
5)	With the help of chain block equipment with shift upto edge of the West side platform.
6)	Cut & dismantle West side facing bracing / handrail / connected members from EL 17 M to EL 21.5 M to have clear access to remove the electric heater.
7)	Place Crane on West Side of equipment near the column 17, 18 & 19 at approx. 15M Radius.
8)	Approach Electric heater with crane at EL 17000. Lift & drop the equipment on ground level and loaded on trailer by Crane.
9)	Structural modification for strengthening and modification of the platform & bracings, handrails for installation of new heater with Springs supports.
10)	New Electric heater shall be lifted with due care by Crane from West side of the plant and shall be raised above the EL17000 to have access from Column 17&18& placing the heater on structural foundation with spring supports.
11)	Equipment shall be leveled and foundation bolts shall be tightened.
12)	All interconnecting piping / spool pieces to be modified shall be reconnected.
13)	Insulation as per drawings & specification shall be applied.



2) FLOW CONTROL HOPPER (FA-2454)



Job	Replacement
Dimension	141mm O.D mm wide x 1250 mm lg
Weight	0.3 Ton ~
Elevation	TOS EL + 17000
Work Period	During Shut Down
Lifting by	Crane 100 Tons
Lifting Radius	~15Mtr
Crane Lift Ht.	21.5 Mtrs
Crane Location	West Side of equipment near column 17& 18

S.No	Activity
1)	Flushing of the Equipment & Hydrocarbon Free (By MRPL)
2)	Remove all instrument connections and Insulation. Dismantle all interconnecting piping,



LICENSOR:



TRIUNE

	flange joints & dismantle supports & drop it at platform 17M elevation by chain pulley block. Transfer with chain pulley block within crane approach.
3)	Cut & dismantle West side facing bracing / handrail / connected members from EL 17 M to EL 21.5 M to have clear access to remove the Flow Control Hopper.
4)	Place Crane on West Side of equipment near the column 17&18 at approx. 15M Radius.
5)	Approach Flow control hopper with crane at EL 17000. Lift & drop the equipment on trailer placed at ground floor.
6)	Structural modification for strengthening and modification of the platform & bracings, handrails for installation of new Control Hopper.
7)	New Flow control hopper shall be lifted with due care by Crane from West side of the plant and shall be raised above the EL17000 to have access from Column 17 &18 & placing the flow control hopper on structural foundation & further transfer upto location by chain pulley block.
8)	Equipment shall be leveled and connecting flanged bolts shall be tightened.
9)	All interconnecting piping / spool pieces and Instrumentation shall be re-installed with modifications (if required).



3) Filters (FG-2451, FG-2454, FG-2455, FG-2456, FG-2457 & FG-2458)



Job	Replacement
Lifting	Manual Handling

S.No	Activity
1)	Flushing of the Equipment & Hydrocarbon Free (By MRPL)
2)	Dismantle all interconnecting piping, flange joints
3)	Remove the Old filter and shifted to Warehouse.
4)	New Filter will be shifted & reinstalled, and if required, modifications shall be done

4) Coalescers (FD-2451, FD-2452)



Job	Replacement
Dimension	273 mm O.D mm x 2100 mm lg
Work Period	Pre-shut down & During Shut Down
Weight	0.35 Ton ~
Elevation	Ground
Work Period	During Shut Down
Lifting by	Farana F23

S.No	Activity
1)	Flushing of the Equipment & Hydrocarbon Free (By MRPL)
2)	Dismantle all interconnecting piping, flange joints & Foundation bolts.
	Demolish of Civil foundation. Temporary hook to be welded on top of the structure to lift the equipments to install the Chain block. Equipment will be lifted by Chain block and



LICENSOR:



TRIUNE

	shifted near the Farana location. And old coalescers load on the trailer and shifted to warehouse.
3)	New Coalescers shall be shifted and lifted with Farana and will be erected on new Civil foundation before shut-down.
4)	Equipment shall be leveled and connecting flanged bolts shall be tightened.
5)	All interconnecting piping / spool pieces shall be modified & reconnected.



5) LIFT GAS BLOWER (GB-2451)



Job	Replacement
Weight	2 Ton ~
Elevation	Ground Level
Work Period	Pre-shut down & During Shut Down
Lifting by	Farana-23
Lifting Radius	5Mtr
Crane Location	West Side of equipment near column 17 & 18

S.No	Activity
1)	Flushing of the Equipment & Hydrocarbon Free (By MRPL)
2)	Remove all electrical connections. Dismantle all interconnecting piping, flange joints, Expansion joints & Open Foundation Bolts. Old Civil foundation to be demolished.



LICENSOR:



TRIUNE

3)	Lift the Blower (with motor) with Farana & place it on the trailer placed at west side on ground floor.
4)	Checking the new foundation with new equipment.
5)	New blower shall be lifted with due care by Farana from West side of the plant and place it on the new foundation before shutdown, if required Packing plate to be provided to maintain the elevation as per Drawing.
6)	Equipment shall be leveled, foundation bolts shall be tightened and alignment to be done with & without Piping.
7)	All interconnecting piping / spool pieces/expansion bellows etc. shall be connected.



6) Air Dryer Package (FF-2451)



Job	Replacement
Dimension	1.8m L X 1.5m W X 2.5m H
Weight	As per drawing (0.97Ton existing)~
Elevation	13000
Work Period	Pre-shut down
Lifting by	Crane 100 Ton
Lifting Radius	16 Mtr
Crane Location	West Side



S.No	Activity
1)	Flushing of the Equipment & Hydrocarbon Free (By MRPL)
2)	Dismantle all interconnecting piping, flange joints, & Open Foundation Bolts. And West side bracing & handrail to be dismantled.
3)	Temporary hook to be provided on top of the structure to install the chain pulley block. Equipment to be lift and shifted near the West side platform.
4)	Lift the Package with Crane & place it on the trailer placed at west side on ground floor.
5)	New civil foundation to be prepared at west side of the floor at 13m elevation. Foundation shall be inspected as per drawing.
6)	New equipment to be lifted with crane and erected on the new foundation with the help of chain pulley block.
7)	Equipment shall be placed on new foundation & leveled and new foundation bolts shall be aligned & tightened.
8)	All interconnecting piping / spool pieces etc. shall be modified and reconnected.

7) Dust Collector (CD-2451)



Job	Replacement
Dimension	800 mm O.D. X 4823 mm H
Weight	01 Ton ~
Elevation	6.8 m
Work Period	During Shut Down
Lifting by	Crane 100 Ton
Lifting Radius	15Mtr
Floor	2 nd
Crane Location	West Side of equipment near column 16 & 17

S.No	Activity
1)	Flushing of the Equipment & Hydrocarbon Free (By MRPL)
2)	Dismantle all interconnecting piping, flange joints, & Open Foundation Bolts. And West



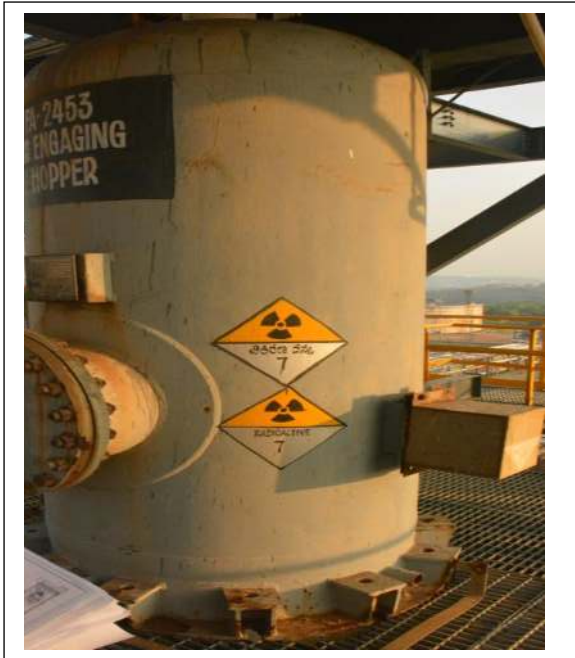
LICENSOR:



TRIUNE

	side bracing & handrail to be dismantled.
3)	Temporary hook to be provided on top of the structure and Dust Collector top structure to be removed to lift the Dust Collector. Dust Collector to be lifted with the help of Chain block horizontally and shifted near the crane location.
4)	Lift the Dust Collector with Crane & place it on the trailer placed at west side on ground floor.
5)	New Dust Collector shall be lifted with due care by Crane from West side of the plant
6)	Slide horizontally inside by using chain block & make vertically by using second chain block. Release the first chain block after erection of the equipment.
7)	Equipment shall be placed on new foundation &, leveled and new foundation bolts shall be tightened.
8)	All interconnecting piping / spool pieces etc. shall be modified and reconnected.

8) Disengaging Hopper (FA-2453)



Job	Replacement
Dimension	1200 mm O.D. X 4565 mm H
Weight	5 (Ton) ~
Elevation	35 mtr
Work Period	During Shut Down
Lifting by	Crane 300 Ton
Lifting Radius	15Mtr
Crane Location	West Side of equipment near column 16 & 17

S.No	Activity
1)	Flushing of the Equipment & Hydrocarbon Free (By MRPL)
2)	Dismantle all interconnecting piping, flange joints, & Open Setting Bolts.
3)	Existing floor at elevation 42m, temporary opening to be done. Lifting hook to be



LICENSOR:



TRIUNE

	provided to install the chain pulley block.
4)	Lift the Disengaging Hopper with Chain Block & shift horizontally near the West side platform.
5)	Lift the Disengaging Hopper with Crane & place it on the trailer placed at west side on ground floor.
6)	At 38.5m, Structural modification to be done to install the new equipment. Structural Foundation to be inspected before equipment installation.
7)	Placing the crane near west side and New Disengaging Hopper shall be lifted with due care by Crane from West side of the plant to elevation 38.5m and, shift horizontally with the help of Chain block & using the second chain block lifted vertically place it on the new structural foundation.
8)	Equipment shall be leveled and foundation bolts shall be tightened.
9)	All interconnecting piping / spool pieces etc. shall be connected.
10)	Reinstallation of top floor structure at 42m elevation.

9) Organic Chloride Injection Pump (GA-2452 A/B)



Job	Replacement
Dimension	As per Vendor Drg.
Weight	0.15 (Ton) ~
Elevation	Ground
Work Period	Pre-shut down & During Shut Down
Lifting by	Manual & Farana-23
Lifting Radius	5 Mtr
Crane Location	West-North Side of equipment

S.No	Activity
1)	Flushing of the Equipment & Hydrocarbon Free (By MRPL)
2)	Electrical & Instrumentation connection to be removed. Dismantle all interconnecting



LICENSOR:



TRIUNE

	pipng, flange joints & existing foundation to be demolished
3)	Lift the existing Pump with manually & place it on the trailer placed at west side on ground floor. Existing foundation to be de-molished.
4)	New Civil foundation to be done east side of the Pump. And foundation shall be inspected as per drawing.
5)	New Pump shall be lifted with due care by Farana from West-North side of the plant and place it on the new foundation.
6)	Equipment shall be leveled and foundation bolts shall be tightened. If required, packing plate to be provided to maintain the elevation. And alignment to be done.
7)	All interconnecting piping / spool pieces etc. shall be modified and connected.
8)	Underground facilities including electrical cables shall be taken with extra care before excavation.



10) PACKINOX (EA-2401)



Job	Replacement
Dimension	1990~ mmdia x 11319~mm lg.(Overall Length)
Weight	45 Ton ~
Elevation	TOG EL + 7100
Work Period	During Shut Down
Lifting by	Crane 300 Ton
Lifting Radius	~15Mtr
Crane Lift Ht.	30 Mtrs
Crane Location	West Side of equipment near column 13a & 13

S.No	Activity
1)	Flushing of the Equipment& Hydrocarbon Free(By MRPL)
2)	Work shall be done in presence of OEM.



3)	Remove Insulation from all connecting lines., flange joints & Open the foundation Bolts
4)	<p>All the piping and associated instruments connected with the equipment nozzles and its supports including the springs on overhead lines shall be remove as it is before dismantling the Equipment and the same will be fitted again at the same nozzles (level and orientation) after the equipment erection.</p> <p>The springs associated with the piping shall be locked properly before removing the piping by the contractor.</p> <p>The construction contractor shall consider the proper lifting arrangements for the piping spools after unbolting from the nozzles.</p> <p>Proper inspection of the equipment nozzle and its orientation shall be conducted by the contractor before erection of new equipment.</p>
5)	Bottom spool temporary resting support to be provided.
6)	Cut & dismantle West side facing bracing / handrail/ grating/ connected members from EL 11.8 M to EL 26.0M to have clear access to remove the packinox.
7)	All associated pipe spools including accessories to be removed & dropped at ground level for easy removal of packinox.
8)	Place Crane on West Side of equipment near the column 13a & 13 at approx. 15M Radius.
9)	Unbolt the foundation bolts of packinox.
10)	35 ton bow shackle 4nos., spreader beam with test certificates, 1.5” dia. Slings 6m length 2nos. & 1.5” dia. X 3m length 2nos.
11)	Lift the Packinox with Crane with available lifting lugs on equipment till bottom dish is raised above the platform elevation EL 7100 and transfer the Packinox towards West Side & drop it on the trailer at ground floor west side.



LICENSOR:



TRIUNE

12)	New Packinox shall be lifted by Crane from West side of the plant and shall be raised upto the level that bottom dish end elevation is above the EL7100 to have access from Column 13a &13 & placing the packinox on foundation with due care.
13)	Foundation bolts to be cleaned with wire brush. And Equipment shall be leveled, and new foundation nuts shall be tightened & aligned.
14)	All interconnecting piping / spool pieces, springs supports shall be reconnected as per original installed. North side bottom nozzle to be modified (4" to 6").
15)	Insulation as per drawings & specification shall be installed.
16)	Reinstall and replace West side facing bracing / handrail/ grating/ plating connected members from EL 11.8 M to EL 26.0M after installation of the equipment.



C) MODIFICATION

Lock Hopper No-1 (FA-2451)

Lift Engager No-1 (FA-2452)

Surge Hopper (FA-2455)

Lock Hopper No-2 (FA-2456)

Lift Engager No-2 (FA-2457)

Regeneration Tower Screen (DC-2451)



LICENSOR:



1) LOCK HOPPER NO-1 (FA-2451)



Job	Modification in Equipment
Dimension	610 O.D x 760 Ht with Bottom Cone head 460 Ht.
Reference Drg.	As Built Drg.: AAP/941119 Rev.3 MDS : 9675-02-DS-V-2010
Nature of Modification	Nozzle Addition 2" NB & Bracket support modification to install nuclear level instrument source & detector.
Modification Location	In Equipment
Elevation	TOS EL 6800 mm
Work Period	During Shut Down



For details & scope of Modification refer Mechanical Scope of Work Doc. No. 9675-02-SOW-201& MDS Drg no. 9675-02-DS-V-2010

S.No	Activity
1)	Flushing of the Equipment & Hydrocarbon Free (By MRPL)
2)	Blinding to be done all interconnecting flange joints.
3)	Marking of nozzle location as per drawing.
4)	Cutting & beveling for the new nozzle
5)	Fit up the fabricated nozzle & RF pad/Stiffeners as applicable.
6)	Welding & NDT as per codes / procedure.
7)	Hydrotest of equipment & Pneumatic test for RF Pads, if applicable.
8)	De-binding & Final Box up of the equipment



LICENSOR:



2) LIFT ENGAGER NO-1 (FA-2452)



Job	Modification in Equipment
Dimension	508 O.D x 2036 Ht
Reference Drg.	As Built Drg.: AAP/941125 Rev.0 & C-24-229-1 Rev.1 MDS : 9675-02-DS-V-2012
Nature of Modification	New Nozzle of 40 NB with internal baffle to be added
Modification Location	In Equipment
Elevation	TOS EL 2850
Work Period	During Shut Down



LICENSOR:

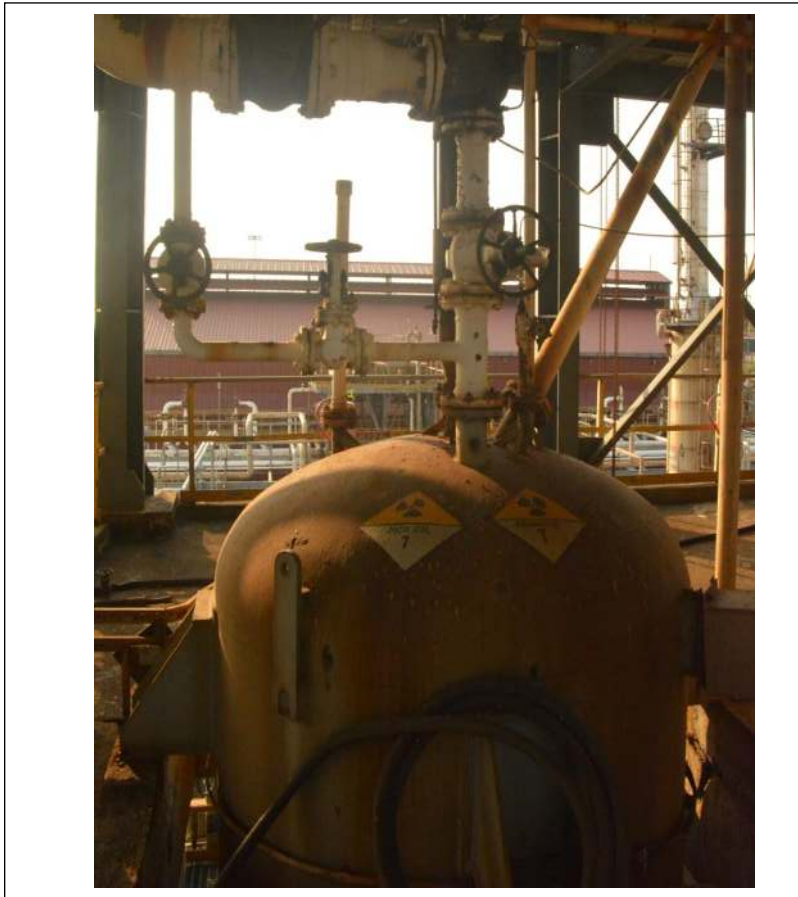


For details & scope of Modification refer Mechanical Scope of Work Doc. No. 9675-02-SOW-201 & MDS Drg no. 9675-02-DS-V-2012

S.No	Activity
1)	Flushing of the Equipment & Hydrocarbon Free (By MRPL)
2)	Blinding to be done all interconnecting flange joints..
3)	Marking of nozzle location as per drawing.
4)	Cutting & beveling for the new nozzle
5)	Fit up the fabricated nozzle & RF pad/Stiffeners as applicable.
6)	Welding & NDT as per codes / procedure.
7)	Hydrotest of equipment & Pneumatic test for RF Pads, if applicable.
8)	De-Blinding & Final Box up of the equipment



3) SURGE HOPPER(FA-2455)



Job	Modification in Equipment
Dimension	1900I.D x 2950Ht with bottom conical
Reference Drg.	As Built Drg.: PEI/941201 Rev.3 B-24-232A-1 Rev.1 B-24-232B-1 Rev.1 MDS : 9675-02-DS-V-2014
Nature of Modification	Remove existing nozzle-49 and replace with new 2"NB "CO1" nozzle & Remove existing PSV nozzle # 33 of 4"NB and replace with new PSV 6"NB on top dish end.
Modification Location	At top dish
Elevation	TOS EL 13000
Work Period	During Shut Down



LICENSOR:

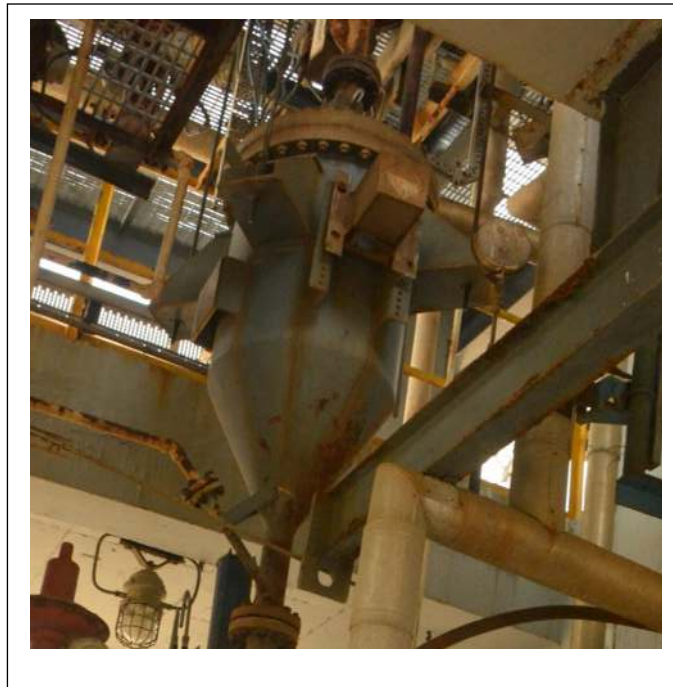


For details & scope of Modification refer Mechanical Scope of Work Doc. No. 9675-02-SOW-201 & MDS Drg no. 9675-02-DS-V-2014

S.No	Activity
1)	Flushing of the Equipment & Hydrocarbon Free (By MRPL)
2)	Blinding of all interconnecting piping, flange joints.
3)	Removing of Internals & Nuclear Instrument and re install the same after testing.
4)	Marking of nozzle location as per drawing.
5)	Cutting & beveling for the new nozzle
6)	Fit up the fabricated nozzle & RF pad/Stiffeners as applicable.
7)	Welding, NDT & PWHT as per codes / procedure.
8)	Hydrotest of equipment & Pneumatic test for RF Pads, if applicable.
9)	De-blinding and Final Box up of the equipment



4) LOCK HOPPER NO-2(FA-2456)



Job	Modification in Equipment
Dimension	610 O.D x 760 Ht with Bottom Cone head 460 Ht.
Reference Drg.	As Built Drg.: AAP/9411 Rev.3 MDS : 9675-02-DS-V-2011
Nature of Modification	Nozzle Addition 2" NB for LT& Bracket support modification to install nuclear level instrument source & detector.
Modification Location	In Equipment
Elevation	TOS EL 6800
Work Period	During Shut Down



For details & scope of Modification refer Mechanical Scope of Work Doc. No. 9675-02-SOW-201 & MDS Drg no. 9675-02-DS-V-2011

S.No	Activity
1)	Flushing of the Equipment & Hydrocarbon Free (By MRPL)
2)	Blinding to be done all interconnecting flange joints..
3)	Marking of nozzle location as per drawing.
4)	Cutting & beveling for the new nozzle
5)	Fit up the fabricated nozzle & RF pad/Stiffeners as applicable.
6)	Welding & NDT as per codes / procedure.
7)	Hydrotest of equipment & Pneumatic test for RF Pads, if applicable.
8)	De-blinding & Final Box up of the equipment



5) LIFT ENGAGER NO-2(FA-2457)



Job	Modification in Equipment
Dimension	508 O.D x 2017Ht
Reference Drg.	As Built Drg.: AAP/941126 Rev.2 C-24-234-1 Rev.1 MDS : 9675-02-DS-V-2013
Nature of Modification	New Nozzle of 40 NB with internal baffle to be added
Modification Location	In Equipment
Elevation	FOF EL 2850
Work Period	During Shut Down



For details & scope of Modification refer Mechanical Scope of Work Doc. No. 9675-02-SOW-201 & MDS Drg no. 9675-02-DS-V-2013

S.No	Activity
1)	Flushing of the Equipment & Hydrocarbon Free (By MRPL)
2)	Blinding of all interconnecting piping, flange joints.
3)	Marking of nozzle location as per drawing.
4)	Cutting & beveling for the new nozzle
5)	Fit up the fabricated nozzle & RF pad/Stiffeners as applicable.
6)	Welding & NDT as per codes / procedure.
7)	Hydrotest of equipment & Pneumatic test for RF Pads, if applicable.
8)	De-blinding & Final Box up of the equipment



6) REGENERATION TOWER SCREEN (DC-2451)



Job	Modification in Equipment
Screen Dimension	Inner screen 762dia x 7090 Lg (Including Dish End) Outer screen 1080dia x 5380lg.
Reference Drgs.	Existing Drgs: -GA: 410014, Rev.4 -Sectional Elevation: 410014-02, Rev.B - Thermowell Guide: 410014-05 Rev.C - Inner/Outer Screen : 632050 Rev.C
Nature of Modification	-Replacement of Inner Screen -Addition of new nozzle pressure tap N1 of 1" NB -Blank of existing nozzle-L of 1"NB at top dish. - New interzonal baffle - New Thermocouple guides for chlorination outlet pipe.



Weight	05 Ton ~
Elevation	EL 26000
Work Period	During Shut Down
Lifting by	Crane 300 Ton
Lifting Radius	~15Mtr
Crane Lift Ht.	~ 46 Mtrs
Crane Location	West Side of equipment near column 17 & 18 at ground floor

For details & scope of Modification refer Mechanical Scope of Work Doc. No. 9675-02-SOW-201 & MDS Drg no. 9675-02-DS-V-2015 & UOP drawing nos. 9045932-305-01/02/03/04-A1

S.No	Activity
1)	Modification in Regenerator Tower& replacement of screen shall be done in the presence of OEM.
2)	Field modification and Installation & Screen notes for Final Field Installation and inspection shall be as per UOP doc no. 9045932-305.



3)	Flushing of the Equipment & hydrocarbon free (By MRPL)
4)	Removal of Insulation of top Dish End, Body flange, connecting piping, Thermal Lines & associated instruments. (As per UOP drg. No. 9045932-305)
5)	Cut & dismantle West side facing bracing / handrail/ grating/ connected members from EL 38.5 M to EL 46.0M to have clear access by crane sling to remove the screen.
6)	Temporary support to be provided for Top head outlet pipe.
7)	Dismantle all interconnecting piping, Top Dish end flange unbolting & place it on the same Elevation EL 26000. Reinstall the respective piping to the equipment after finalization of erection.
8)	Thermal Lines, Thermowell & catalyst lines & other spools to be removed with access of crane 300 ton capacity with the main boom length 60m & jip 48m. Lift & drop it on the trailer placed at ground floor.
9)	Approach the dome & inner screen with crane sling from 46 M till 26 M level. Lift Dome with existing inner screen and chlorination gas outlet pipe with crane from West side upto 46 M elevation & transfer towards west side, drop it in horizontal position, on structural arrangement placed at ground floor. One for replacement of screen & doing the hot work, NDT etc.
10)	Once replacement of screen & modification required as per UOP drgs. & specs is complete, Screen with Dome shall be lifted by crane to box up the regenerator tower with the new stud bolts & gaskets as per Spec. Dome shall be aligned & match marked. All interconnecting piping, Thermowells, catalyst lines to be connected.
11)	Insulation as per drawings & specification shall be installed.
12)	Replace & reinstall of West side facing bracing / handrail/ grating/ connected members



	from EL 38.5 M to EL 46.0M.
13)	Modification & reinstall of top structural connected members from EL 38.5 M to EL 46.0M.

Field Modification and Installation (As per UOPDrg no. 9045932-305)

The following notes shall be ensured during the field installation of the inner & outer screens.

- 1) Remove the top head with existing inner screen and chlorination gas outlet pipe attached.
- 2) Cut and remove the outer screen for access to the interzonal baffle.
 - a) Install new pressure tap Nozzle N1
 - b) Complete baffle work as per detail B02 of UOP drg no. 9045932-305-02-A1
 - c) Blank off existing nozzle on top head L and existing upper nozzle N
- 3) Remove the inner screen upto and including the fitup ring.
- 4) Remove existing chlorination outlet pipe baffle. Remove all existing thermowell guides from the chlorination outlet pipe.
- 5) Nest the screens vertically by placing the inner screen inside the outer screen. Locate the screens relative to each other both vertically and horizontally in accordance with the details shown in UOP Drg. No. 9045932-305-02-A1. The procedure on sheet 8 of UOP Drg. No 9045932-305-02-A1 describes the method used to dimensionally check the annuals created by the nested screens
- 6) After satisfying the requirements of sheet.8, the respective items are to be permanently match marked.



TRIUNE

- 7) Install the thermocouple guides for inner screen for nozzle H & H1 as per details A02 on UOP drg. No. 9045932-305-04-A1.
- 8) Install new Thermocouple guides for chlorination outlet piping as shown in Detail A04 on UOP drg no. 9045932-305-04-A1 in line with nozzle H2. Install new chlorination outlet piping with new weld ring at end of existing outlet piping with new transition zone baffle, keeping the notches in line with nozzles H & H1
- 9) Install thermocouple for nozzle H2.
- 10) For the final installation of the inner screen, install the new inner screen without lower cone blank off. Ensure screen T1guids are directly inline with nozzles H and H1
- 11) Install the transition zone baffle “notch fillers” ensuring that:
 - a) The “notch filler” containing the pipe sleeve is installed below nozzle H1 for passage of the chlorination zone T1 guide per detail G03 on UOP drg. No. 9045932-305-03-A1.
 - b) The “notch filler” without the pipe sleeve is installed below nozzle H for zone separation per view F03-F03 on UOP Drg. No. 9045932-305-03-A1
- 12) Install the thermocouples for nozzle H and H1
- 13) Install lower cone blank off, by welding cone to the inner screen lower blank off per detail A03 on UOP drg. No. 9045932-305-03-A1
- 14) Install outer screen ensuring match marks are orientated to allow head to be at the final desired orientation in reference to the inner screen’s match marks.
- 15) Install head with new inner screen, TI’s and chlorination zone outlet piping in accordance with match marks.



ScreenNotes for Final Field Installation and Inspection (As per UOP Drg no. 9045932-305)

The following notes are specific to be field installed and inspected of the installed inner and outer screens . All other inspection requirement are as outlined for fabricator shop inspection on sheet 5 and 6 of UOP drg no. 9045932-305

The following procedure describes the method used to dimensionally check and annulus created by the installed screens.

- A) One set of measurements shall be taken and recorded at the top of the tier, the bottom of a tier and approximately every 300 between the top set and the bottom set. The elevation of each set of measurement relative to a fixed point shall also be recorded.
- B) Step “A” above shall be repeated to every tier on the screens.
- C) One set of measurements shall consist of the following:
 - 1) Eight measurements at equal increments at equal increments around the circumference of the basket i.e one measurement every 45 deg.
 - 2) One additional measurement at each vertical seam.
- D) The annular space tolerance of each reading in a horizontal plane shall be $\pm 7\%$ of the average of the eight readings in that plane.
- E) A tolerance of ± 4.8 shall be allowed in comparing the average annulus of any horizontal plane to the nominal annulus for that plane. The nominal annulus shall be calculated using the plane elevation recorded in Step “A” above and the screen dimensions shown on UOP drg. No. 9045932-305-02-A1.



LICENSOR:



D) NEW EQUIPMENT

- 1) **Preheat Gas Heater (EA-2454)**
- 2) **Air Preheater (EA-2456)**
- 3) **Vent Gas Cooler (EA-2455)**
- 4) **Regeneration Cooler no-2 (EC-2451B)**
- 5) **Vent Drum (FA-2465 & FA-2466)**



LICENSOR:



TRIUNE

S.No	Activity
1)	Erection the new structure foundation at 38.5m elevation.
2)	Lifting the equipment upto 35.5m elevation using by crane.
3)	Temporary hook to be provided at 48m elevation to install the chain block.
4)	Equipment to be pulled inside the location by chain block.
5)	Structure foundation to be inspected.
6)	Equipment to be erected on the new structural member.
7)	Leveling, install foundation bolts & alignment with structure.
8)	New Line to be erected and final box-up to be done as per drawing.



LICENSOR:

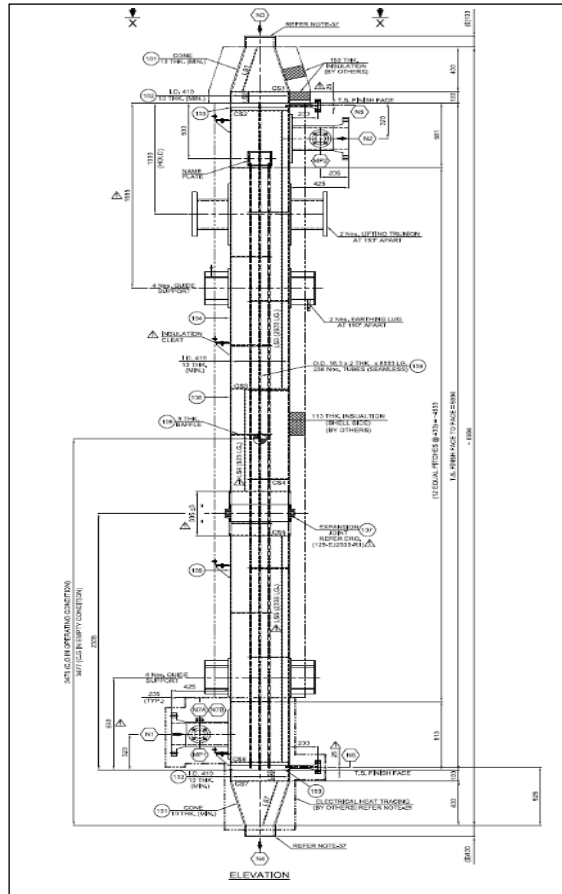


TRIUNE

S.No	Activity
1)	Erection the new structure foundation at 35 m elevation.
2)	Lifting the equipment upto 35.5.m elevation using by crane.
3)	Temporary hook to be provided at 38.5m elevation to install the chain block.
4)	Equipment to be pulled inside the location by chain block.
5)	Structure foundation to be inspected.
6)	Equipment to be erected on the new structural member.
7)	Leveling, install foundation/supporting bolts & alignment with structure.
8)	New Line to be erected and final box-up to be done as per drawing.



3) Vent Gas Cooler (EA-2455)



Job	New Equipment
Dimension	As per Vendor Drawing
Reference Drg.	IPEL-6165-GAD-002
Elevation	42000 mm
Work Period	During Pre- Shut Down & Shut Down
Lifting by	Crane 100 Ton
Weight	2.5 Ton ~
Floor	10 th
Crane Location	West Side
Lifting Radius	16 mtr.



LICENSOR:



TRIUNE

S.No	Activity
1)	Erection the new structural support at 42 m elevation. Installation of two nos. spring supports.
2)	Lifting the equipment upto 42 m elevation using by crane.
3)	Temporary hook to be provided at 46 m elevation to install the chain block.
4)	Equipment to be pulled inside horizontally with the first chain block and then, second chain pulley block will be used to make it in vertical position.
5)	Structure Support to be inspected.
6)	Equipment to be erected on the new structure & spring support.
7)	Leveling, install foundation bolts & alignment with structure.
8)	New Line to be erected and final box-up to be done as per drawing.



LICENSOR:

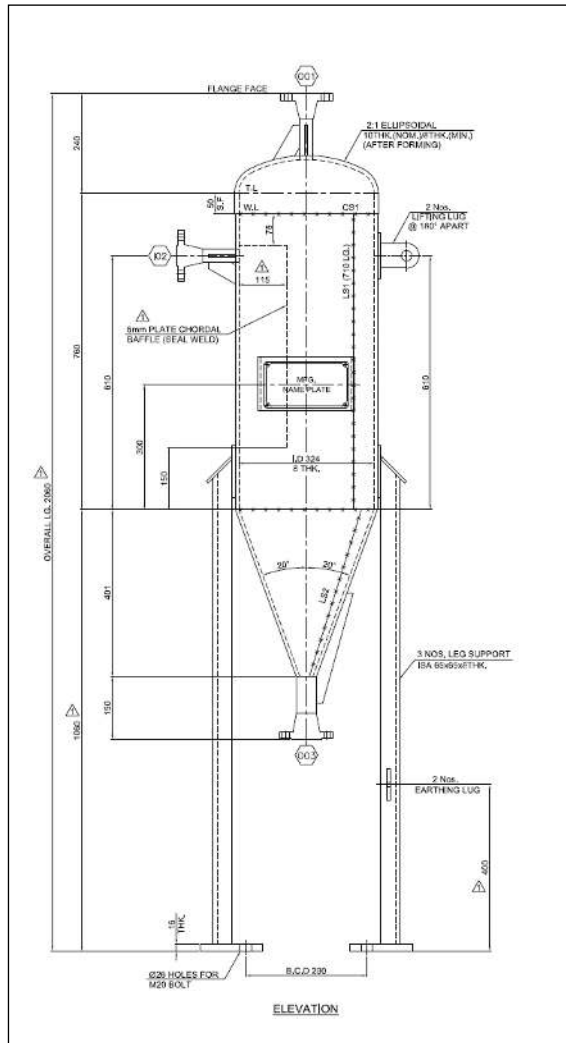


TRIUNE

S.No	Activity
1)	Erection the new structural member with new spring support at 26 m elevation.
2)	Lifting the equipment upto 26 m elevation using by crane.
3)	Structure Support to be inspected.
4)	Equipment to be erected on the new structure & spring support.
5)	Leveling, install foundation bolts & alignment with structure.
6)	New Line to be erected and final box-up to be done as per drawing.



5) Vent Drum (FA-2465 & FA-2466)



Job	New Equipment
Dimension	As per Vendor Drawing
Reference Drg.	IPEL-2709-GAD-002
Elevation	6800 mm
Work Period	During Pre-Shut Down
Lifting by	Farana-23
Weight	0.15 Ton ~
Floor	2 nd
Crane Location	West Side
Lifting Radius	5 mtr.
Location	Regenerator Side (FA-2466) & Reactor Floor (FA-2465)



LICENSOR:

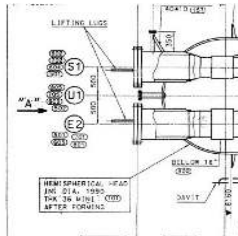


S.No	Activity
1)	Erection the new structural member at 6.8 m elevation.
2)	Lifting the equipment upto 6.8 m elevation using by Farana.
3)	Structure Support to be inspected.
4)	Temporary lifting hook to be provided on the top of structure to install the chain block.
5)	Equipment shall be pulled with chain block at location and erect vertically.
6)	Leveling, install foundation bolts & alignment with structure.
7)	New Line to be erected and final box-up to be done as per drawing.

ANNEXURE-3

BRIDGE AND ROOF COMPANY (INDIA) LIMITED

Prebid Queries After Pre bid meeting & site visit on 31.1.22 for CCR - 1 Tender at MRPL Mangaluru Karnataka

Sl. No.	Ref.	Description	Query	Response
1	Commercial Vol. CL. No.4.11 PG 6 of 376	Duration of Contract Period shall be 12 months including monsoon periods from the date of issue of Letter of Acceptance, Mechanical Completion (MC)-1 month Commissioning- 2 months from MC, PGTR 3 months from Commissioning	1. Kindly confirm the Contract period as discussed in Pre-bid which is not clear. Bidder understand 12 Months Construction Period including MC. Further Commissioning 2 Months from MC date & 3 Months for PGTR from Commissioning i.e. after 12 Month total another 5 Months of time for Commissioning & PGTR. Hence, Total duration 17 Months. Please Clarify Briefly and Confirm.	Bidder's understanding is correct.
2	Site Visit	During Site Visit it has been observed Maximum Work to be performed including dismantling Works, replacement work etc in one Month Shutdown which is planned in April 2023 till now and MC can be completed after the Shutdown period only.	Bidder understands that all the fabrication work and other activity can be done before the Shutdown work only as only few field work can be done before the Shutdown period of balance 11 Months. Kindly Confirm.	Kindly understand the scope of work given in Tender and plan the execution activities accordingly. Mechanical Reply. Preshut down & shut down activities to be worked out by bidder & shall be submitted to EPCM/MRPL for review / approval. Piping Reply Based on the isometrics provided, the contractor shall define the shop and field welds. Considering that all the works shall be completed in a tight shutdown period, the contractor may plan to execute fabrication and erection in the following manner. • Complete spool shall be fabricated and hydro tested at grade and then installed at the respective location. • Complete spool shall be fabricated and hydro tested at grade. However it is not possible to install as one spool. In this situation contractor is allowed to cut the spool suitably with a site tolerance and perform a final field weld which shall be 100% radiographed. It shall be noted that only one cut is allowed per spool. • Spools are fabricated in normal fashion at grade and hydro test is performed for the complete system after installation. Construction Contractor to identify the above mentioned three cases in the Piping isometrics and execute accordingly.
3	Technical Vol 1 CL. No6.4 PG 70 of 1194	Packinox Exchanger shall be replaced with new exchanger. Removal of existing exchanger (including spray bar) along with all the associated piping of the exchanger (Not limited to piping from exchanger to heater, heater to reactor and reactor to exchanger and supporting structure/ platform), Installation of new exchanger (including spray bar/conical strainer) will be carried out by the construction contractor under supervision of Alfa-Laval. Contractor scope includes removal of existing Packinox Exchanger and removal of existing structure/ platform and ensuring that the new structure /platform is ready in all respects for installation of new Packinox Exchanger.	1.From the site visit Bidder understand that all the Structural Material required for Packinox Exchanger Installation on new structure & platform such as Structural members, checkqured plate, haldrail, gratings shall be Paid to bidder in available Structural item in Price bid SP-1, SI no.12. 2. For Packinox Exchanger dismantling whether it has been permitted to cut in pieces and dispose to the desired disposal yard within the refinery boundary of 5 KM Range(as informed by MRPL in pre bid meeting. Please note that there Was no Lifting LUG available in the Existing exchanger to take out the vessel by Crane. 3. Kindly confirm the Piping work related to after New Packinox Installation considered in Piping SOQ i.e. all inlet and outlet line from Packinox Exchanger. 4. Old & New Packinox Drawing need to be shared.	Mechanical Reply. 2) Bidder to note that Lifting lug in the existing Packinox is available. You may refer appended snapshot. Dismantling is preferably to be done in the single piece. However the process methodology for dismantling shall be submitted by bidder for EPCM/MRPL review  4. Exis attaching along with response. And New Packinox Drawing (Doc. no. 8.4.22 Packinox GA_ EA-2401) is already attached in Construction Tender. Contractor to remove all the connected piping associated with Packinox Exchanger before dismantling the equipment and the same piping shall be erected at the same nozzles along with the supports. Piping Response Contractor to remove all the connected piping associated with Packinox Exchanger before dismantling the equipment and the same piping shall be erected at the same nozzles along with the supports.
4	Pricebid SP-5C, Last item	Chemical Cleaning of SS & Alloy Steel	Kindly furnish SOR qty as there are nothing available. Also No SOR serial no. available in SP-5C for item identification.	Bidder to refer Revised SOR. SP-5E & SP-5F for the quantities.
5	General	Construction of barricading during construction period and removal of the same after construction is over.	Kindly furnish Barricade requirement as the Work involved huge area in height wise. Also no details available for Barricade of Scaffolding or Structural steel, even sheet details also not shared.	Kindly refer latest SOQ for Barricading requirement.
6	General	Vendor list for Supply Part	Kindly furnish the Vendor list for Supply Part items.	Bidder to refer Addendum-1 for vendor list
7	General	Modification of equipments	The scope of work shall be limited to the Modification work at the Erected position of the equipment only. Bidder no need to dismantle the same towards the ground level and no need to re-erect after modification of the same in Ground level. Also it has been observed the Modification of Equipments required Complete flushing and it shall be Safe for ready to Perform Hot Work.	Bidder Understanding is correct.

8	General	CIVIL	Demolishing of Concrete for electrical cable trench shown in tender but existing trench having live cables. Kindly confirm the scope of work to bidder.	Bidder to note that it is the removal of screed concrete from top of Cable trench cover, not the demolition of trench concrete. (Refer Note 3 of bid drawing no. 9675-00-04-A0-4002). The Screed concrete is non reinforced lean concrete. The screed removal has to be done with appropriate precaution (manual method) and under strict supervision so as not to damage the trench or its cover. After screed concrete removal, the precast RCC cover has to be opened for new cable laying.
9	General	Electrical Heat tracing	Supervision of Installation by OEM, however bidder to perform installation as per OEM representative's direction. Kindly Confirm.	Confirmed
10	General	Pre shutdown and Shutdown activity List	Kindly Provide the Pre shutdown and Shutdown activity list itemwise as discussed in Prebid so that quantum of work can be identified.	Bidder is advised to go through the scope of work mentioned in tender document, preparation of pre-shutdown and shut down activity list is bidder's responsibility.
11	General	Manpower Supply Item not available in SOQR	For MRPL Plant Project after MC all work can be done as per MRPL operations supervision for Flushing, Cleaning, testing etc and for that Manpower Supply mandatory for that work as available grade wise like Supervisor, Highly skilled, Skilled, Semiskilled etc only as for field work no unskilled labour as per MRPL HR rules.	Bidder shall evaluate the manpower requirement as per scope of Tender and arrange relevant & qualified personnels at their cost and risk.
12	General	Scaffolding Quantity required in SOR	Since the Plant is too old and depending on the Work condition there Shall be a Scaffolding SOR item as per Site requirement for Sage work. All the Unit item shall be excluded of Scaffolding work for Safe Work requirement or else unit item rate will be high.	Contractor shall make arrangement for access, scaffolding, platform, lifting arrangement as required for erection, modification, rectification, replacement, construction and testing work etc for all heights including but not limited to labour, tools & tackles, construction material, consumables etc for the execution of work included in SOQ
13	SP-4A (Mech-Installation)	SOR Description for equipment installations includes paint & insulation works.	Bidder understands, Painting & Insulations shall be paid in separate SOR item for equipments from same SP-4A SOR (SOR SL NO 29.2 & 29.3) Kindly confirm	Bidder to quote as per SOR
14	SP-5 (Piping Bulk)	SOR SI No 5.0 & 5.1 two nos SOR items with same quantity.	Kindly distinguish the 2 items for final painting. Inclusion & Exclusion of each item.	Bidder to refer Revised SOR. S.No.5 covers paint and primer both. S.No. 5.1 stands deleted.
15	SP-4A (Mech-Installation) & SP-5 (Piping Bulk)	SOR SI No 29.2 & 4.0 Insulation UOM is SqM (M ²)	Kindly Confirm Insulation Measurements shall be taken as per IS-14164 (2008)	Bidder to Refer SOR. Ins.thickness & UOM is mentioned in SP-4 & SP-5.
16	SP-5A & SP-5B	As per Note A: Quantity considered are actual. Contractor to Consider additional quantity for temporary works.	Kindly Confirm Payment shall be made on actual supply basis as required for the project. Otherwise rates shall be higher side considering additional consumption for hydrotesting, pre-commissioning & commissioning.	Any additional consumable/ item required during commissioning/ hydrotesting upto the stage of handover shall be in bidders scope. Bidder to consider prices accordingly.
17	SP-5 & SP-5C	Both the sheets are having Insulation & Piping items with same SOR quantity	Kindly Clarify	SP-5 is list for bulk items to be provided by the contractor and 5C is for installation and erection to be done by the contractor.
18	SP-5C	Dismantling of Valves	Dismantling of Valves does not contain SOR quantity. Need to be quantified for quoting.	Refer the isometrics provided with the tender.
19	SP-4A (Mech-Installation)	Dismantling of Equipments: DA-2451, FA-2463, FA-2464, EA-2453, GA-2451A/B, GA-2453A/B, GA-2454A/B, PA-2453, FG-2452, FG-2453	Kindly provide the weight/drawing of each equipment needs to be dismantled .	Bidder to refer Constructability Study for weight & overall dimensions of equipment which is to be dismantled. Constructability study will be provided along with addendum
20	SP-4A (Mech-Installation)	Replacement of Equipments: BI-2453, FD-2451, FD-2452, GB-2451, FF-2451, CD-2451, FA-2453, GA-2452 A/B	Kindly provide the weight/drawing of old and new equipment for dismantling & erection.	1. Bidder to refer Constructability Study for weight of each equipment (old & new). 2. Drawing of Old equipments already attached in Construction Tender. 3. Constructability study will be provided along with addendum
21	SP-4A (Mech-Installation)	Hydrotesting of Equipments:	Bidder Understands Hydro/pneumatic testing of equipments in included in SOR installation item except for equipments for modification, for which separate SOR item is available. Kindly confirm	Bidder to follow the SOR for the modified equipment to be hydrotested. For new equipment hydrotesting is not envisaged.
22	SP-4A (Mech-Installation)	Equipments Catalyst & Packing Loading:	Bidder Understands any kind of catalyst of packing loadings are not in bidder scope. Kindly confirm	Bidder understanding is correct.
23	SP-5C	NDT Activities	Bidder Understands all NDT activities are included in piping SOR . Kindly confirm	NDT shall be as per the specification attached in tender, quantity will be as per SOR in S.No.1.0 of SP-5C..

Bidders Queries Technical/Commercial					
Contractor Name - Jobby Engineers Pvt. Ltd.					
Tender No. - 96750000C1B					
Tender Name - CONSTRUCTION TENDER ON ITEM RATE BASIS FOR CCR-1 REGENERATOR REVAMP PROJECT AT MRPL, MANGALURU, KARNATAKA AT MRPL, MANGALURU					
Sr. No.	Bidding Document		Subject	Bidder's Query	Owner's Reply
	Page No.	Clause No.			
1	SOR		Drawings	Drawings for all the equipments which are to be dismantled, Replaced, Modified and New Equipment to be provided.	1. Drawings of Modified and Replaced equipments are already attached in Construction Tender. 2. For Dismantled equipment, Bidder to refer Constructability study for dimensions as attached & weight attached with addendum. 3. New Equipments drawing will be provided to the successful bidder.
2	SOR SP 5E Piping Attachment	Complete SOR	Rate	Whether rates to be mentioned in this SOR as during Prebid meeting it was mentioned that the SOR is only information purpose for Free Issue Material.	Bidder to refer Revised Price bid sheet. Bidder to quote prices in SP-5E. Sheet SP-5F is for reference only.
3	Commercial	EMD	EMD Clause	Kindly confirm that the EMD is waived off for MSME Enterprises.	Bidder to refer S.No14 of ITB. Page 30 of 376 of Tender.
4	Commercial	SCC	s	Kindly confirm land for Fabrication and storage will be provided near CCR-1 Unit inside refinery.	Confirmed, it will be provided.
5	Commercial	SCC	Water and Power	Kindly confirm construction water and Power will be provided in refinery on chargeable basis.	Bidder to refer S.No. 3.3.0.0, 3.3.4.0 & 3.5.0.0 of GCC. Page 118-120 of Tender.
6	Technical	Site Visit	Site Observations	Chequered plate is not mentioned in SOR, but from site visit it presumed that there will be extension/replacement of platform where Chequered plate will be installed.	Chequered plate quantity is included in structural steel
7	Tender Document			Approved vendor list for all the supply items to be provided.	Bidder to refer Addendum-1 for vendor list
8	Tender Document	Salient Features Serial No. 11	Manpower Requirement	Minimum Labour required category wise to be added in the SOR which will be required during precommissioning, commissioning and PGTR activities	Bidder shall evaluate the manpower requirement as per scope of Tender and arrange relevant & qualified personnels at their cost and risk.
9	Site Visit Observations			Kindly advise the minimum crane capacity envisaged for erection of Packinox Exchanger, DC 2451 Dust Collector Screen replacement, disengaging hopper.	Bidder to refer Constructability Study as attached.
10	Site Visit Observations			Drawing to be provided for additional platform which to be added after replacement of FA-2453 disengaging hopper.	Structural steel quantity is included in the SOR. Required engineering drawing shall be furnished to successful bidder.
11	SOR Observations			In SOR, where only construction work is required, why there is need to mention freight column.	Bidder to note that in SOR where only construction/ erection charges are required there is no column of Frieght charge
12	SOR Observations			Request you to remove the freight column, which is confusing. It needs to be compiled with supply item column.	Bidder to follow SOR and quote accordingly. If the Freight charges are included elsewhere, bidder to mention "0" zero against respective freight charges.
13	Site Visit Observations			Cable duct Route drawing required mentioning its elevation is required.	Cable dust elevation tobe considered 8000mm.
14	Bid Requirement			Cable laying route drawing with cable numbers required for both Power and Instrument Cables.	For Power cables refer Cable routing layout, doc. no. 9675-00-06-A1-6001
15	Site Visit Observations			Nozzle replacement drawing along with existing nozzle required.	Bidder to refer Attached UOP datasheet in Construction Tender.

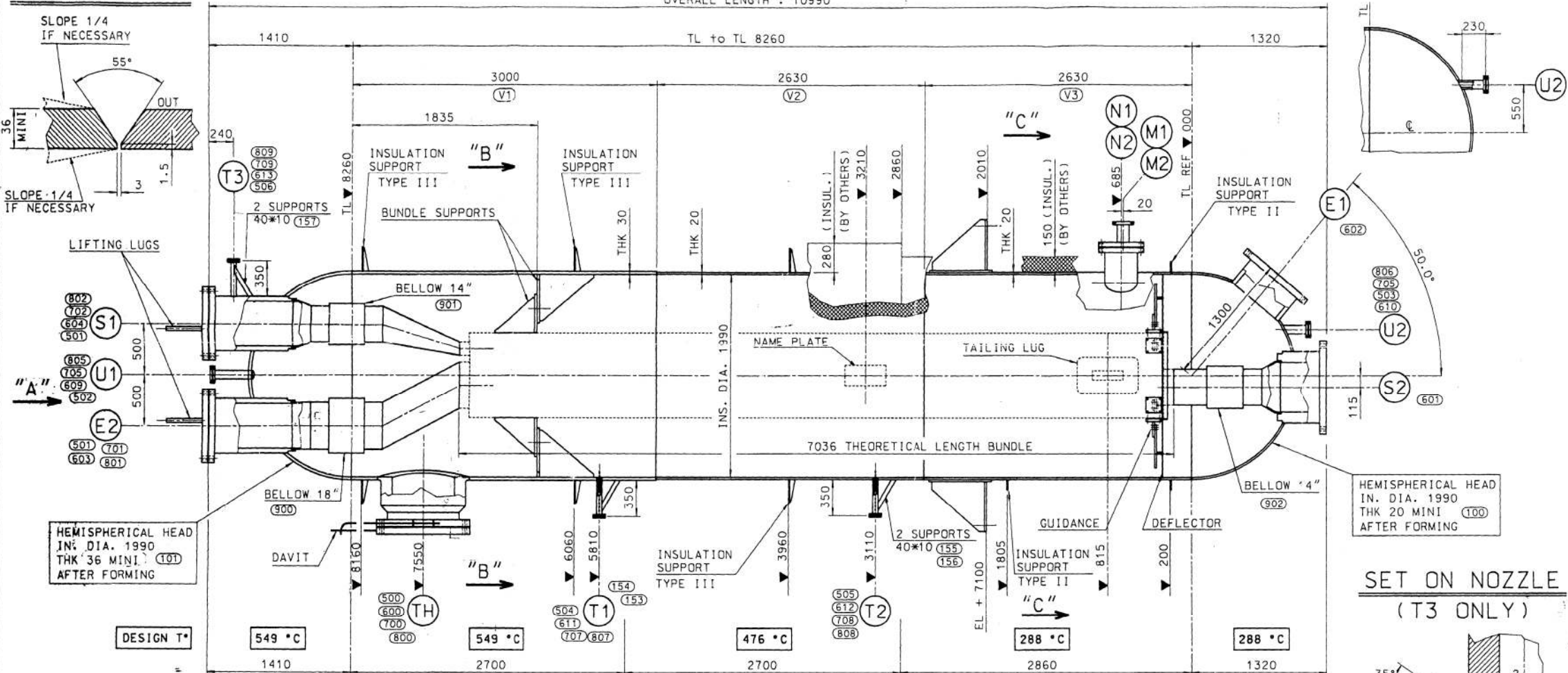
FORM – H**BIDDER'S QUERIES (TECHNICAL)
CORRTECH**

SL.NO	BIDDING DOCUMENT		SUBJECT	BIDDER'S QUERY	RESPONSE
	PAGENO.	CLAUSENO.			
1	SP-1	Sr. No. 1	SP-1-(Civil & Structural)	In the supply portion of the Civil & Structural SOR some items are only service and our understanding is that we need to only provide the rate for the service part in the respective tables by keeping the Supply part and freight charges zero.	Supply, erection, fabrication, construction all are under Bidder scope.
2	SP-5C		Chemical Cleaning/Pickling of SS and Alloy Material	There is no option given for entering the rate for Chemical Cleaning. So request you to kindly help us in entering the rate.	Bidder to consider quantity mentioned in SP-5E & SP-5F of SS & Alloy Steel.
3	296	74	MAKE OF EQUIPMENTS/COMPONENTS :	Bidders shall procure and supply the items covered in their scope from the approved vendors as mentioned in technical specification. No approved vendor list is given in the tender. So request your good office to kindly share the same.	Bidder to refer Addendum-1 for vendor list.
4	SP-5	S. No. 2.2	Pipe Supports excluding Springs (Contractor Supplied)	The grade is not specified for SS Structural Steel. Request you to kindly confirm the grade of SS Steel.	SS304 / SS316 or equivalent
5	SP-4A		Installation/ Erection/ Construction/Modification/Dismantling	The referred documents for FIM mentioned in SP-4A are not available in the tender. Request you to kindly share the same.	Referred Documents will be provided to successful bidder. However for equipment weight & dimensions refer constructability study attached with addendum.
6	SP-5C		Piping Above Ground	The thickness for Alloy Steel is not given. Kindly provide the same.	Inch dia has been mentioned for all MOC. For any detail, refer SP-5F.

NOTE: Bidder's Queries may be sent by e-mail to: anil.tripathi@triune.co.in *Submit the queries within 12 days from bid opening date

ANNEXURE-4

CIRCULAR HEAD THK 36



MATIERES / MATERIALS		
VIROLES	SA387 GR 11 CL2	SHELL
FONDS	SA387 GR 11 CL2	HEADS
JUPE		SADDLES-SKIRT-LEGS
SUPPORTS PLATEAUX		TRAYS SUPPORTS
SUPPORTS EXTERIEURS	SA387 GR 11 CL2	EXTERNAL SUPPORTS
GOUSSETS EXTERIEURS	SA387 GR 11 CL2 + A285 GR C	EXTERNAL GUSSETS
ACCESSOIRES INTERIEURS	SA387 GR 11 CL2	INTERNAL ACCESS.
BRIDES	SA182 GR F11 CL2	FLANGES
TUBES INF. OU EGAL A 16"		SEAMLESS PIPES
TOLES ROULEES		WELDED PIPES
RENFORTS		REINFORCEMENTS
TIGES FILETEES EXT.	SEE NOTE 4)	EXTERNAL STUD BOLTS
ECROUS EXTERIEURS	SEE NOTE 4)	EXTERNAL NUTS
TIGES FILETEES INT.	A 193- B 8T	INTERNAL STUD BOLTS
ECROUS INTERIEURS	A 194 GR 8T	INTERNAL NUTS
BOULONS INTERIEURS	A 193- B 8T	INTERNAL BOLTS
JOINTS	SEE NOTE 1)	GASKETS
OREILLE DE RETENUE	A 516 GR 70	LIFTING LUG/TAILING LUG

DONNEES / DESIGN DATA		
CODE	ASME VIII DIV. 1	CODE
CATEGORIE DE CONSTRUCT.	ED. 92- Add. 92	CLASS OF CONSTRUCT.
CHARGE DUE AU VENT	122 KG/M2	WIND LOAD
CHARGE SISMIQUE	HOLD	SEISMIC LOAD
NATURE DU FLUIDE	H2 + HC	FLUID
MASSE SPECIFIQUE		DENSITY
PROFIL DES FONDS		HEAD TYPE
TYPE DE FILETAGE	UNC	THREAD TYPE
EP. CALORIFUGE	150 & 280 mm	INSULATION THK
IGNIFUGE		FIRE PROOFING
SABLAGE (INT & EXT)	SA 2.5	BLASTING (INS. & OUTS.)
PEINTURE (EXT.)	SEE NOTE 12)	PAINTING (OUTS. ONLY)

TEMPERATURE DE SERVICE	/	OPERATING TEMP.
TEMPERATURE DE CALCUL	GRADED FROM 549 to 288 °C	DESIGN TEMPERAT.
T M E	0 °C	M D M T
PRESSION DE SERVICE	/	OPERATING PRESSURE
PRESSION DE CALCUL	SEE NOTE 2)	DESIGN PRESSURE
PRESSION EPREUVE HYDRAUL.	SEE NOTE 3)	HYDRAUL. TEST PRESSURE
TRAITEMENT THERMIQUE	YES	POST WELD HEAT TREAT.
CONTROLES	FULL	CONTROLS
COEFFICIENT DE JOINT	1	JOINT EFFICIENCY
CORROSION	3 mm	CORROSION

ACCESSOIRES / ACCESSORIES		
PS =PLAQUE SIGNALIETIQUE	1	NAME PLATE
MT =MISE A LA TERRE	2	GROUNDING PLATE
TA =TROU D'ACCES JUPE	/	SKIRT ACCESS. HOLE
EV =EVENT	/	VENT

POIDS ET CAPACITE/WEIGHT AND CAPACITY		
POIDS A VIDE	21000 KG	EMPTY WEIGHT
POIDS DES INTERNES	14000 KG	WEIGHT INTERNALS
POIDS EN SERVICE	HOLD KG	OPERATING WEIGHT
POIDS A L'HYDROTEST	65350 KG	TEST WEIGHT
CAPACITE	30.35 m3	CAPACITY

- GENERAL REQUIREMENTS
- GASKETS SHALL BE SPIRAL WOUND TYPE (FLEXITALLIC) - THK 4.4 mm - MATERIAL S-5 316 + FILLER WITH EXTERNAL CENTER RING IN S-5 304 AND INTERNAL CENTER RING TYPE C.G.1 (FILLER IS FLEXIBLE GRAPHITE FOR COLD SIDE AND ASBESTOS + GRAPHITE + ASBESTOS [SPZ 2J] FOR HOT SIDE)
 - DESIGN PRESSURE : INTERNAL 0.893 MPA (9.10 KG/CM2 G) ; EXTERNAL FV AT 400 °C
 - TEST PRESSURE : 1.4502 MPA (14.79 KG/CM2) IN HORIZONTAL POSITION ; 1.34 MPA (13.65 KG/CM2) IN VERTICALE POSITION AT TOP
 - BOLTING MATERIAL SHALL BE : A 193-B7/A 194 GR 2H FOR NOZZLES N1/2 AND U2 ; A 193 B 16/A 194 GR 4 FOR NOZZLES T1/2/3-TH-E2-S1-U1
 - FLANGES AS PER ANSI B 16-5, RF FACE, SMOOTH FINISH, Ra 3.2-6.3 µm SPIRAL GROOVE PITCH 0.35 TO 0.45 BY A TOOL 0.8 mm RADIUS
 - FLANGES BOLT HOLES SHALL STRADDLE MAIN AXIS
 - SPARE PARTS: 3 SETS OF GASKET AND 10 % BOLTING WITH 2 STUDS & 4 NUTS mini FOR BLANKED NOZZLES.
 - ALL THE NOZZLES SHALL BE WITH FILLET WELD SMOOTH ROUNDED TO 20 mm RADIUS, EXCEPT FOR MANHOLE (SEE DETAIL).
 - THE EDGES AT THE INSIDE AND OUTSIDE DIA. OF INTERNALLY PROJECTING NOZZLES SHALL BE ROUNDED TO A RADIUS EQUAL TO ONE HALF THE WALL THICKNESS (INCLUDING MANHOLE).
 - NITROGEN PRESSURIZING FOR TRANSPORTATION (BOTH SIDE VESSEL AND BUNDLE): 30 G/CM2
 - ALL FILLET WELDS ATTACHED TO PRESSURE RETAINING PARTS SHALL BE : SMOOTH, CONCAVE CONTOUR
 - FOR OPERATING TEMPERATURE T (°C) 120 < T < 400 PAINTING SYSTEM IS : 1 PRIME COAT INORGANIC ZINC RICH PAINT (HIGH BUILD TYPE) DFT = 50 µm ; 4 COATS SILICON RESIN HEAT RESISTANT PAINT DFT = 20 µm TOTAL 80µm ; 2 COATS PRIME, 1 COAT INTERMEDIAIRE, 1 COAT FINAL

FINAL

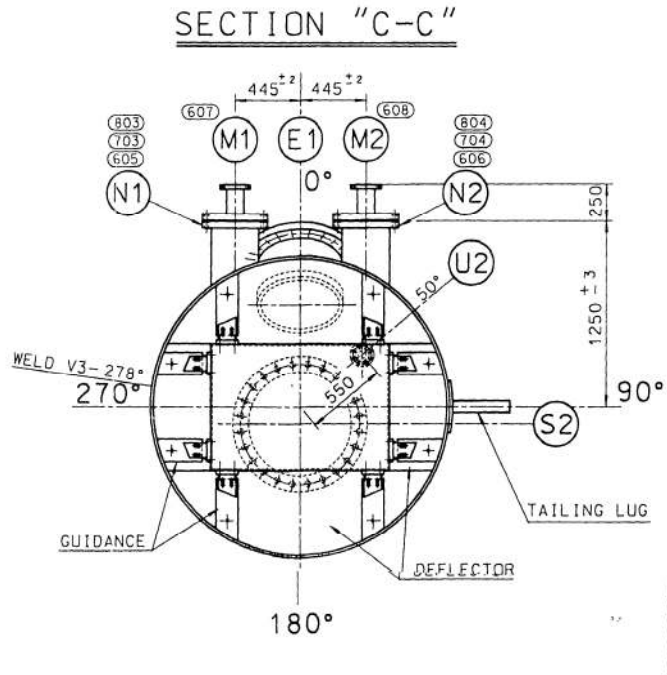
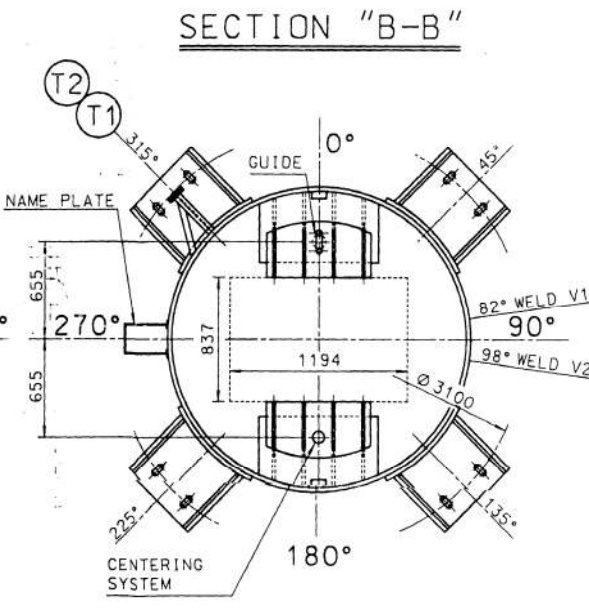
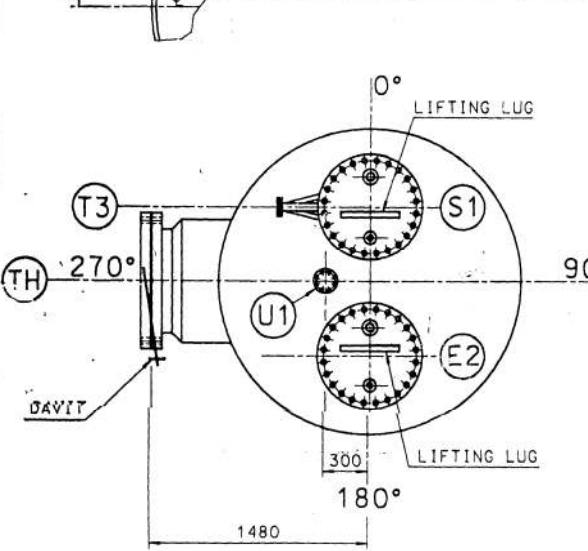
2	28/11/94	MODIFIED NOTE 12)	V.P	21/01/94
1	29/08/94	MODIFIED FOLLOWING REVIEW CLIENT	V-O	29/08/94
0	10/06/94	FIRST ISSUE	LUX-D	DATE VISA

FISCHER FLOIRAINNE
6-B AVENUE DU 30^e GROUPE DE CHASSEURS
B-P. 49 - 54303 LUNEVILLE CEDEX

CLIENT : PACKINOX
CONTRAT No : 9P E403
TOYO ENGINEERING CORPORATION - CCR PROJECT

FABRICATION N° 2552
EA 2401 COMBINED FEED EXCHANGER
GENERAL ASSEMBLY

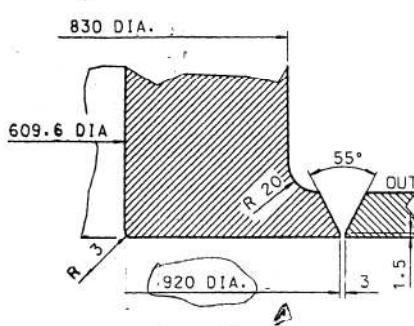
NAMES	VISAS	DATES	SCALE
DRAWN BY	LUX-D	10/06/94	1/25"
CHECKED BY	STIBLING-A	10/06/94	



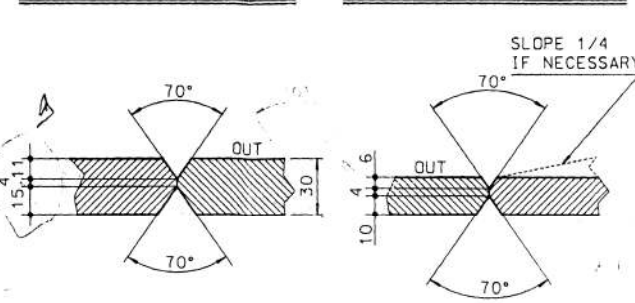
REFERENCE DRAWINGS	
5292 AA 01 A	: GENERAL ARRANGEMENT
5292 AA 01 B	: NOZZLES DETAILS & LIFTING LUGS
5292 AA 01 C	: INTERNAL DETAILS
5292 AA 01 D	: NAME PLATE DETAILS
5292 AA 01 E	: TRANSPORTATION DRAWING

MATERIAL FOR BELLOWS
BELLOWS FOR NOZZLES "E2" "S1" SHALL BE INCOLOY 800 HT AND SLEEVES : A 240 TP 321
BELLOW FOR NOZZLE "S2" SHALL BE INCONEL 625 AND SLEEVES : A 240 TP 321

SET IN NOZZLE TH



LONGI & CIRCULAR SHELL THK 30 mm



LONGI & CIRCULAR SHELL AND HEAD THK 20 mm

TH	1	24"	300 #	MANWAY WITH DAVIT	Ø 830 * 110.2	LWN	RF	YES
T1/2/3	3	1"	300 #	THERMOWELL	Ø 54 * 14.3	LWN	RF	YES
U2	1	2"	300 #	DRAIN	Ø 84 * 16.6	LWN	RF	YES
U1	1	2"	300 #	VENT	Ø 84 * 16.6	LWN	RF	YES
M1/2	2	3"	300 #	LIQUID FEED INLET	Ø 117 * 17.1	LWN	RF	YES
N1/2	2	10"	300 #	SPRAYBAR HOLDER	Ø 321 * 33.5	LWN	RF	YES
S2	1	24"	300 #	EFFLUENT OUTLET	Ø 702 * 107	LWN	RF	YES
S1	1	18"	300 #	FEED OUTLET	Ø 533 * 48	LWN	RF	YES
E1	1	20"	300 #	GAS FEED INLET	Ø 587 * 39.5	LWN	RF	YES
E2	1	18"	300 #	EFFLUENT INLET	Ø 533 * 48	LWN	RF	YES

MANGALORE REFINERY AND PETROCHEMICALS LTD. MANGALORE, INDIA
TOYO ENGINEERING CORPORATION TOKYO JAPAN
ITEM NO. EA - 2401
REQ. NO. 04003
PROJECT DOC. NO. EA 2401-10 007

NOZZLES CHART

ANNEXURE-5



Mangalore Refinery and Petrochemicals Limited
(A subsidiary of Oil and Natural Gas Corporation Limited)



Instructions to Bidders: Complete all the Highlighted Cells before submission

FORM: SP-5F

Tender No:	96750000C1B
Tender Description:	CONSTRUCTION TENDER ON ITEM RATE BASIS FOR CCR-1 REGENERATOR REVAMP PROJECT AT MRPL, MANGALURU, KARNATAKA
Name of Bidder:	0

Sl. No.	Material Code	Description	Qty	UOM
Quantities for reference only				
1		DUR O LOK COUPLING NB 1.25 INCHES, (FREE ISSUE)	15	NOS.
2		DUR O LOK COUPLING NB 1.50 INCHES, (FREE ISSUE)	12	NOS.
3		DUR O LOK COUPLING NB 4.00 INCHES, (FREE ISSUE)	3	NOS.
4		METALLIC EXPANSION BELLOW NB 14.00 INCHES, (FREE ISSUE)	1	NOS.
5		TAPER BORED FLANGENB 2.00 INCHES, (FREE ISSUE)	15	NOS.
6		PIPE, 0.25 INCH, ASTM A106 GR.B, ASME B36.10M, PE, SEAMLESS, S80, (FREE ISSUE)	6	MTR
7		PIPE, 0.5 INCH, ASTM A 312 GR TP316, ASME B36.19M, PE, SEAMLESS, 80S, NOTE5 (FREE ISSUE)	18	MTR
8		PIPE, 0.5 INCH, ASTM A106 GR.B, ASME B36.10M, PE, SEAMLESS, S80, (FREE ISSUE)	230	MTR
9		PIPE, 0.5 INCH, ASTM A312 GR. TP 316, ASME B36.19, PE, SEAMLESS, 80S, (FREE ISSUE)	12	MTR
10		PIPE, 0.50 INCH, ASTM A106 GR.B, ASME B36.10, PE, SEAMLESS, S80, (FREE ISSUE)	6	MTR
11		PIPE, 0.50 INCH, ASTM A106 GR.B, H2, ASME B36.10M, PE, SEAMLESS, S80, H2 (FREE ISSUE)	6	MTR
12		PIPE, 0.75 INCH, ASTM A 106 GR.B,H2, ASME B36.10, PE, SEAMLESS, S160, H2 (FREE ISSUE)	6	MTR
13		PIPE, 0.75 INCH, ASTM A 312 GR TP316, ASME B36.19M, PE, SEAMLESS, 80S, NOTE5 (FREE ISSUE)	66	MTR
14		PIPE, 0.75 INCH, ASTM A106 GR.B, ASME B36.10, PE, SEAMLESS, S80, (FREE ISSUE)	30	MTR
15		PIPE, 0.75 INCH, ASTM A106 GR.B, ASME B36.10M, PE, SEAMLESS, S80, (FREE ISSUE)	120	MTR
16		PIPE, 0.75 INCH, ASTM A106 GR.B, H2, ASME B36.10M, PE, SEAMLESS, S80, H2 (FREE ISSUE)	108	MTR
17		PIPE, 0.75 INCH, ASTM A106 GR.B,IBR, ASME B36.10M, PE, SEAMLESS, S80, IBR, NOTE2 (FREE ISSUE)	30	MTR
18		PIPE, 0.75 INCH, ASTM A312 GR. TP 316, ASME B36.19, PE, SEAMLESS, 80S, (FREE ISSUE)	6	MTR
19		PIPE, 0.75 INCH, ASTM B167 N06600, ASME B36.19M, PE, SEAMLESS, 40S, (FREE ISSUE)	6	MTR
20		PIPE, 1 INCH, ASTM A 312 GR TP316, ASME B36.19M, PE, SEAMLESS, 80S, NOTE5 (FREE ISSUE)	6	MTR
21		PIPE, 1 INCH, ASTM A 312 GR. TP 304, ASME B36.19, PE, SEAMLESS, 40S, (FREE ISSUE)	6	MTR
22		PIPE, 1 INCH, ASTM A106 GR.B, ASME B36.10, PE, SEAMLESS, S80, (FREE ISSUE)	6	MTR
23		PIPE, 1 INCH, ASTM A106 GR.B, ASME B36.10M, PE, SEAMLESS, S80, (FREE ISSUE)	18	MTR
24		PIPE, 1 INCH, ASTM A106 GR.B, H2, ASME B36.10M, PE, SEAMLESS, S80, H2 (FREE ISSUE)	24	MTR
25		PIPE, 1 INCH, ASTM A106 GR.B,IBR, ASME B36.10M, PE, SEAMLESS, S80, IBR, NOTE2 (FREE ISSUE)	56	MTR
26		PIPE, 1 INCH, IS-1239 (GALV.), SCRM, WELDED, HVY, (FREE ISSUE)	24	MTR
27		PIPE, 1.25 INCH, ASTM A 106 GR B, H2, ASME B36.10M, BE, SEAMLESS, S80, H2, NOTE20 (FREE ISSUE)	72	MTR
28		PIPE, 1.5 INCH, ASTM A 106 GR B, H2, ASME B36.10M, BE, SEAMLESS, S80, H2, NOTE20 (FREE ISSUE)	60	MTR
29		PIPE, 1.5 INCH, ASTM A 312 GR TP316, ASME B36.19M, PE, SEAMLESS, 80S, NOTE5 (FREE ISSUE)	6	MTR
30		PIPE, 1.5 INCH, ASTM A106 GR.B, ASME B36.10, PE, SEAMLESS, S80, (FREE ISSUE)	30	MTR
31		PIPE, 1.5 INCH, ASTM A106 GR.B, ASME B36.10M, PE, SEAMLESS, S80, (FREE ISSUE)	24	MTR
32		PIPE, 1.5 INCH, ASTM A106 GR.B, H2, ASME B36.10M, PE, SEAMLESS, S80, H2 (FREE ISSUE)	6	MTR
33		PIPE, 1.5 INCH, ASTM A106 GR.B,IBR, ASME B36.10M, PE, SEAMLESS, S80, IBR, NOTE2 (FREE ISSUE)	138	MTR
34		PIPE, 1.5 INCH, IS-1239 (GALV.), IS-1239, SCRM, WELDED, HVY, (FREE ISSUE)	44	MTR
35		PIPE, 10 INCH, ASTM A106 GR.B, ASME B36.10M, BE, SEAMLESS, S20, (FREE ISSUE)	6	MTR
36		PIPE, 14 INCH, ASTM A106 GR.B, ASME B36.10M, BE, SEAMLESS, S20, (FREE ISSUE)	18	MTR
37		PIPE, 16 INCH, ASTM B168 N06600, ASME B36.19M, BE, EFW, 10S, (FREE ISSUE)	18	MTR
38		PIPE, 18 INCH, ASTM A 691 Grade 1 1/4 Cr Class 22, PWHT, ASME B36.19M, BE, WELDED, H2, NOTE (FREE ISSUE)	6	MTR
39		PIPE, 2 INCH, ASTM A 312 GR TP316, ASME B36.19M, BE, SEAMLESS, 80S, NOTE4.5,13 (FREE ISSUE)	54	MTR
40		PIPE, 2 INCH, ASTM A106 GR.B, ASME B36.10, BE, SEAMLESS, S40, (FREE ISSUE)	6	MTR
41		PIPE, 2 INCH, ASTM A106 GR.B, ASME B36.10, BE, SEAMLESS, S80, (FREE ISSUE)	6	MTR
42		PIPE, 2 INCH, ASTM A106 GR.B, ASME B36.10M, BE, SEAMLESS, S80, (FREE ISSUE)	30	MTR
43		PIPE, 2 INCH, ASTM A106 GR.B, H2, ASME B36.10M, BE, SEAMLESS, S80, H2 (FREE ISSUE)	12	MTR
44		PIPE, 2 INCH, ASTM B167 N06600, ASME B36.19M, BE, SEAMLESS, 40S, NOTE (FREE ISSUE)	6	MTR
45		PIPE, 3 INCH, ASTM A106 GR.B, ASME B36.10M, BE, SEAMLESS, S40, (FREE ISSUE)	78	MTR
46		PIPE, 3 INCH, ASTM A312 GR.TP304H, ASME B36.19M, BE, SEAMLESS, 40S, (FREE ISSUE)	6	MTR
47		PIPE, 4 INCH, ASTM A 106 GR B, H2, ASME B36.10M, BE, SEAMLESS, S80, H2, NOTE20 (FREE ISSUE)	6	MTR
48		PIPE, 4 INCH, ASTM A106 GR.B, ASME B36.10, BE, SEAMLESS, S40, (FREE ISSUE)	6	MTR
49		PIPE, 4 INCH, ASTM A106 GR.B, ASME B36.10M, BE, SEAMLESS, S40, (FREE ISSUE)	18	MTR
50		PIPE, 6 INCH, ASTM A 106 GR B, H2, ASME B36.10M, BE, SEAMLESS, S80, H2, NOTE20 (FREE ISSUE)	6	MTR
51		PIPE, 6 INCH, ASTM A 312 GR TP316, ASME B36.19M, BE, SEAMLESS, 40S, NOTE5 (FREE ISSUE)	12	MTR
52		PIPE, 6 INCH, ASTM A106 GR.B, ASME B36.10, BE, SEAMLESS, S40, (FREE ISSUE)	6	MTR
53		PIPE, 6 INCH, ASTM A106 GR.B, ASME B36.10M, BE, SEAMLESS, S40, (FREE ISSUE)	102	MTR
54		PIPE, 6 INCH, ASTM A106 GR.B, H2, ASME B36.10M, BE, SEAMLESS, S40, H2, NOTE (FREE ISSUE)	6	MTR
55		PIPE, 8 INCH, ASTM A 106 GR B, H2, ASME B36.10M, BE, SEAMLESS, S80, H2, NOTE20 (FREE ISSUE)	6	MTR
56		PIPE, 8 INCH, ASTM A 312 GR TP316, ASME B36.19M, BE, SEAMLESS, 40S, NOTE5 (FREE ISSUE)	60	MTR
57		PIPE, 8 INCH, ASTM A106 GR.B, ASME B36.10, BE, SEAMLESS, S20, (FREE ISSUE)	6	MTR
58		PIPE, 8 INCH, ASTM A106 GR.B, ASME B36.10M, BE, SEAMLESS, S20, (FREE ISSUE)	30	MTR
59		PIPE, 8 INCH, ASTM A106 GR.B, H2, ASME B36.10M, BE, SEAMLESS, S40, H2 (FREE ISSUE)	26	MTR
60		PIPE, 8 INCH, ASTM B168 N06600, ASME B36.19M, BE, EFW, 10S, NOTE (FREE ISSUE)	6	MTR
61		CHECK VALVE, 0.75 INCH, ASTM A 105/13CR, BC, LIFT SHEET 53001, BS-5352, SW, 800, (FREE ISSUE)	2	NOS.
62		GATE VALVE, 0.5 INCH, ASTM A105 /SH BB,OS&Y, SHEET 51001, API 602, SW, 800, (FREE ISSUE)	4	NOS.
63		GATE VALVE, 0.5 INCH, ASTM A105 /SH BB,OS&Y, SHEET 51004, API 602, SW, 800, H2 (FREE ISSUE)	6	NOS.
64		GATE VALVE, 0.5 INCH, ASTM A105/SH,BB,OS&Y, SHEET-51001, API 602, SW, 800, (FREE ISSUE)	8	NOS.
65		GATE VALVE, 0.75 INCH, ASTM A 105/13CR, BB, OS&Y,IBR, SHEET 51002, API 602, SW, 800, IBR, NOTE2 (FREE ISSUE)	1	NOS.

66	GATE VALVE, 0.75 INCH, ASTM A 182 GR F316 BODY/BONNET, 316 STAINLESS STEEL TRIM, HARDFACED SEATS, OS&Y, BOLTED BONNET, CORROSION-INHIBITED DIE-FORMED FLEXIBLE GRAPHITE PACKING WITH BRAIDED ANTI-EXTRUSION RINGS, SHEET-51061, API 602, SW, 800, NOTE5 (FREE ISSUE)	10	NOS.
67	GATE VALVE, 0.75 INCH, ASTM A105 /13CR BB, OS&Y, IBR, SHEET 51002, API 602, SW, 800, IBR, NOTE2 (FREE ISSUE)	20	NOS.
68	GATE VALVE, 0.75 INCH, ASTM A105 /SH BB, OS&Y, SHEET 51001, API 602, SW, 800, (FREE ISSUE)	11	NOS.
69	GATE VALVE, 0.75 INCH, ASTM A105 /SH BB, OS&Y, SHEET 51004, API 602, SW, 800, H2 (FREE ISSUE)	26	NOS.
70	GATE VALVE, 0.75 INCH, ASTM A105/SH, BB, OS&Y, SHEET-51001, API 602, SW, 800, (FREE ISSUE)	64	NOS.
71	GATE VALVE, 0.75 INCH, ASTM A182 GR. F316/TRIM SH, SHEET 51061, API 602, SW, 800, NOTE (FREE ISSUE)	5	NOS.
72	GATE VALVE, 0.75 INCH, B166 N06600/HF, BB, OS&Y, SHEET 51076, Copper Fig. No. 101X or equal, SW, 800, (FREE ISSUE)	4	NOS.
73	GATE VALVE, 1 INCH, ASTM A 105/13CR, BB, OS&Y, IBR, SHEET 51002, API 602, SW, 800, IBR, NOTE2 (FREE ISSUE)	5	NOS.
74	GATE VALVE, 1 INCH, ASTM A105 /13CR BB, OS&Y, IBR, SHEET 51002, API 602, SW, 800, IBR, NOTE2 (FREE ISSUE)	4	NOS.
75	GATE VALVE, 1 INCH, ASTM A105 /SH BB, OS&Y, SHEET 51001, API 602, SW, 800, (FREE ISSUE)	1	NOS.
76	GATE VALVE, 1 INCH, ASTM A105 /SH BB, OS&Y, SHEET 51004, API 602, SW, 800, H2 (FREE ISSUE)	7	NOS.
77	GATE VALVE, 1 INCH, ASTM A105/SH, BB, OS&Y, SHEET-51001, API 602, SW, 800, (FREE ISSUE)	4	NOS.
78	GATE VALVE, 1 INCH, ASTM A182 GR. F304/TRIM SS304, SHEET 51045, API 602, SW, 800, (FREE ISSUE)	1	NOS.
79	GATE VALVE, 1.5 INCH, ASTM A 105/13CR, BB, OS&Y, IBR, SHEET 51002, API 602, SW, 800, IBR, NOTE2 (FREE ISSUE)	1	NOS.
80	GATE VALVE, 1.5 INCH, ASTM A 182 GR F316 BODY/BONNET, 316 STAINLESS STEEL TRIM, HARDFACED SEATS, OS&Y, BOLTED BONNET, CORROSION-INHIBITED DIE-FORMED FLEXIBLE GRAPHITE PACKING WITH BRAIDED ANTI-EXTRUSION RINGS, SHEET-51061, API 602, SW, 800, NOTE5 (FREE ISSUE)	2	NOS.
81	GATE VALVE, 1.5 INCH, ASTM A105 /13CR BB, OS&Y, IBR, SHEET 51002, API 602, SW, 800, IBR, NOTE2 (FREE ISSUE)	1	NOS.
82	GATE VALVE, 1.5 INCH, ASTM A105 /SH BB, OS&Y, SHEET 51001, API 602, SW, 800, (FREE ISSUE)	1	NOS.
83	GATE VALVE, 1.5 INCH, ASTM A105/SH, BB, OS&Y, SHEET-51001, API 602, SW, 800, (FREE ISSUE)	9	NOS.
84	GLOBE VALVE, 0.25 INCH, ASTM A105/SH, BB, OS&Y, SHEET-52001, BS-5352, SW, 800, (FREE ISSUE)	1	NOS.
85	GLOBE VALVE, 0.5 INCH, ASTM A 182 GR F316 BODY/BONNET, 316 STAINLESS STEEL TRIM, HARD FACED SEAT, OS&Y, BOLTED BONNET, CORROSION-INHIBITED DIE-FORMED FLEXIBLE GRAPHITE PACKING WITH BRAIDED ANTI-EXTRUSION RINGS, SHEET-52061, API 602, SW, 800, NOTE5 (FREE ISSUE)	2	NOS.
86	GLOBE VALVE, 0.75 INCH, ASTM A 105/13CR, BB, OS&Y, IBR, SHEET 52002, BS-5352, SW, 800, IBR, NOTE2 (FREE ISSUE)	5	NOS.
87	GLOBE VALVE, 0.75 INCH, ASTM A 182 GR F316 BODY/BONNET, 316 STAINLESS STEEL TRIM, HARD FACED SEAT, OS&Y, BOLTED BONNET, CORROSION-INHIBITED DIE-FORMED FLEXIBLE GRAPHITE PACKING WITH BRAIDED ANTI-EXTRUSION RINGS, SHEET-52061, API 602, SW, 800, NOTE5 (FREE ISSUE)	2	NOS.
88	GLOBE VALVE, 0.75 INCH, ASTM A105 /13CR BB, OS&Y, IBR, SHEET 52002, API 602, SW, 800, IBR, NOTE2 (FREE ISSUE)	5	NOS.
89	GLOBE VALVE, 0.75 INCH, ASTM A105 /SH BB, OS&Y, SHEET 52004, BS5352, SW, 800, H2, NOTE (FREE ISSUE)	3	NOS.
90	GLOBE VALVE, 0.75 INCH, ASTM A105/SH, BB, OS&Y, SHEET-52001, BS-5352, SW, 800, (FREE ISSUE)	2	NOS.
91	GLOBE VALVE, 1 INCH, ASTM A105 /13CR BB, OS&Y, IBR, SHEET 52002, API 602, SW, 800, IBR, NOTE2 (FREE ISSUE)	1	NOS.
92	GLOBE VALVE, 1.5 INCH, ASTM A 105/13CR, BB, OS&Y, IBR, SHEET 52002, BS-5352, SW, 800, IBR, NOTE2 (FREE ISSUE)	1	NOS.
93	ELBOW 90, 0.75 INCH, ASTM B366 GR.WPNCI, ASME B16.11, SW, 3000 (FREE ISSUE)	2	NOS.
94	ELBOW 90, 16 INCH, ASTM B366 GR.WPNCI, ASME B16.9, R=1.5D, BW, WELDED, 10S, NOTE 30 (FREE ISSUE)	7	NOS.
95	CONCENTRIC REDUCER, 3 INCH X 2 INCH, ASTM A 234 GR.WP11, H2, ASME B16.9, S80XS80, H2 (FREE ISSUE)	1	NOS.
96	ELBOW 45, 0.75 INCH, ASTM A105, ASME B16.11, SW, 3000, (FREE ISSUE)	4	NOS.
97	ELBOW 45, 1 INCH, ASTM A 105, H2, ASME B16.11, SW, 3000, H2 (FREE ISSUE)	1	NOS.
98	ELBOW 45, 1 INCH, ASTM A105, ASME B16.11, SW, 3000 (FREE ISSUE)	2	NOS.
99	ELBOW 45, 1.5 INCH, ASTM A 105, H2, ASME B16.11, SW, 3000, H2 (FREE ISSUE)	1	NOS.
100	ELBOW 45, 1.5 INCH, ASTM A 105, IBR, ASME B16.11, SW, 3000, IBR, NOTE2 (FREE ISSUE)	4	NOS.
101	ELBOW 45, 1.5 INCH, ASTM A105 (GALV.), ASME B16.11, SCRF, 3000 (FREE ISSUE)	1	NOS.
102	ELBOW 90, 0.75 INCH, ASTM A105, ASME B16.11, SW, 3000 (FREE ISSUE)	52	NOS.
103	ELBOW 90, 0.75 INCH, ASTM A 105, H2, ASME B16.11, SW, 3000, H2, NOTE (FREE ISSUE)	20	NOS.
104	ELBOW 90, 0.75 INCH, ASTM A 105, IBR, ASME B16.11, SW, 3000, IBR, NOTE2 (FREE ISSUE)	9	NOS.
105	ELBOW 90, 0.75 INCH, ASTM A105, ASME B16.11, SW, 3000 (FREE ISSUE)	42	NOS.
106	ELBOW 90, 1 INCH, ASTM A 105, H2, ASME B16.11, SW, 3000, H2 (FREE ISSUE)	18	NOS.
107	ELBOW 90, 1 INCH, ASTM A 105, IBR, ASME B16.11, SW, 3000, IBR, NOTE2 (FREE ISSUE)	15	NOS.
108	ELBOW 90, 1 INCH, ASTM A105 (GALV.), ASME B16.11, SCRF, 3000 (FREE ISSUE)	16	NOS.
109	ELBOW 90, 1 INCH, ASTM A105, ASME B16.11, SW, 3000 (FREE ISSUE)	20	NOS.
110	ELBOW 90, 1.5 INCH, ASTM A 105, H2, ASME B16.11, SW, 3000, H2 (FREE ISSUE)	4	NOS.
111	ELBOW 90, 1.5 INCH, ASTM A 105, IBR, ASME B16.11, SW, 3000, IBR, NOTE2 (FREE ISSUE)	31	NOS.
112	ELBOW 90, 1.5 INCH, ASTM A105 (GALV.), ASME B16.11, SCRF, 3000 (FREE ISSUE)	6	NOS.
113	ELBOW 90, 1.5 INCH, ASTM A105, ASME B16.11, SW, 3000 (FREE ISSUE)	20	NOS.
114	FULL COUPLING, 0.5 INCH, ASTM A105, ASME B16.11, SW, 3000 (FREE ISSUE)	44	NOS.
115	FULL COUPLING, 0.75 INCH, ASTM A 105, H2, ASME B16.11, SW, 3000, H2 (FREE ISSUE)	6	NOS.
116	FULL COUPLING, 0.75 INCH, ASTM A105, ASME B16.11, SW, 3000 (FREE ISSUE)	6	NOS.
117	FULL COUPLING, 0.75 INCH, ASTM A105, ASME B16.11, SW, 3000, IBR (FREE ISSUE)	30	NOS.
118	FULL COUPLING, 1 INCH, ASTM A105, ASME B16.11, SW, 3000 (FREE ISSUE)	1	NOS.
119	FULL COUPLING, 1.5 INCH, ASTM A105 (GALV.), ASME B16.11, SCRF, 3000 (FREE ISSUE)	3	NOS.
120	REDUCING TEE, 1 INCH X 0.75 INCH, ASTM A 105, H2, ASME B16.11, SW, 3000, H2 (FREE ISSUE)	11	NOS.
121	REDUCING TEE, 1.5 INCH X 0.75 INCH, ASTM A 105, IBR, ASME B16.11, SW, 3000, IBR, NOTE 2 (FREE ISSUE)	12	NOS.
122	REDUCING TEE, 1.5 INCH X 0.75 INCH, ASTM A105, ASME B16.11, SW, 3000 (FREE ISSUE)	3	NOS.
123	REDUCING TEE, 1.5 INCH X 0.75 INCH, ASTM A105, ASME B16.11, SW, 3000 (FREE ISSUE)	4	NOS.
124	REDUCING TEE, 1.5 INCH X 1 INCH, ASTM A 105, ASME B16.11, SW, 3000 (FREE ISSUE)	2	NOS.
125	REDUCING TEE, 1.5 INCH X 1 INCH, ASTM A 105, IBR, ASME B16.11, SW, 3000, IBR, NOTE 2 (FREE ISSUE)	2	NOS.
126	REDUCING TEE, 1.5 INCH X 1 INCH, ASTM A105 (GALV.), ASME B16.11, SCRF, 3000 (FREE ISSUE)	6	NOS.
127	REDUCING TEE, 1.5 INCH X 1 INCH, ASTM A 105, H2, ASME B16.11, SW, 3000, H2 (FREE ISSUE)	1	NOS.

128	REDUCING TEE, 2 INCH X 1.5 INCH, ASTM A 105, IBR, ASME B16.9, BW, S40XS80, IBR, NOTE 2 (FREE ISSUE)	2	NOS.
129	REDUCING TEE, 1 INCH X 0.75 INCH, ASTM A 105, ASME B16.11, SW, 3000 (FREE ISSUE)	9	NOS.
130	REDUCING COUPLING, 0.75 INCH, ASTM A105, ASME B16.11, SW, 3000 (FREE ISSUE)	2	NOS.
131	CONCENTRIC SWAGE, 0.75 INCH X 0.25 INCH, ASTM A105, BS-3799, PBE, S80XS80 (FREE ISSUE)	1	NOS.
132	CONCENTRIC SWAGE, 1 INCH X 0.75 INCH, ASTM A105, BS-3799, PBE, S80XS80 (FREE ISSUE)	9	NOS.
133	CONCENTRIC SWAGE, 1 INCH X 0.75 INCH, ASTM A 105, H2, BS-3799, PBE, S80XS80, H2 (FREE ISSUE)	9	NOS.
134	CONCENTRIC SWAGE, 1.5 INCH X 0.75 INCH, ASTM A105, BS-3799, PBE, S80XS80 (FREE ISSUE)	1	NOS.
135	CONCENTRIC SWAGE, 1.5 INCH X 0.75 INCH, ASTM A105, IBR, BS-3799, PBE, S80XS80, IBR, NOTE 2 (FREE ISSUE)	1	NOS.
136	CONCENTRIC SWAGE, 1.5 INCH X 1 INCH, ASTM A105, BS-3799, PBE, S80XS80 (FREE ISSUE)	2	NOS.
137	CONCENTRIC SWAGE, 1.5 INCH X 1 INCH, ASTM A105, IBR, BS-3799, PBE, S80XS80, IBR, NOTE 2 (FREE ISSUE)	2	NOS.
138	CONCENTRIC SWAGE, 2 INCH, ASTM A 105, H2, BS-3799, PBE, S80XS80, H2 (FREE ISSUE)	4	NOS.
139	CONCENTRIC SWAGE, 2 INCH X 1.5 INCH, ASTM A105, BS-3799, PBE, S80XS80 (FREE ISSUE)	3	NOS.
140	CONCENTRIC SWAGE, 2 INCH, ASTM A105, BS-3799, PBE, S40XS80 (FREE ISSUE)	2	NOS.
141	CONCENTRIC SWAGE, 3 INCH, ASTM A105, BS-3799, PBE, S40XS80 (FREE ISSUE)	1	NOS.
142	ECCENTRIC SWAGE, 0.75 INCH X 0.25 INCH, ASTM A105, BS-3799, POEXTOE, S80XS80 (FREE ISSUE)	1	NOS.
143	ECCENTRIC SWAGE, 0.75 INCH X 0.5 INCH, ASTM A105, BS-3799, PBE, S80XS80 (FREE ISSUE)	2	NOS.
144	ECCENTRIC SWAGE, 0.75 INCH X 0.5 INCH, ASTM A105, IBR, BS-3799, PBE, S80XS80, IBR, NOTE 2 (FREE ISSUE)	2	NOS.
145	ECCENTRIC SWAGE, 0.75 X 0.5 INCH, ASTM A105, BS-3799, PBE, S80XS80 (FREE ISSUE)	2	NOS.
146	ECCENTRIC SWAGE, 1 INCH X 0.75 INCH, ASTM A105, BS-3799, PBE, S80XS80 (FREE ISSUE)	2	NOS.
147	ECCENTRIC SWAGE, 1.5 INCH X 1 INCH, ASTM A105, BS-3799, PBE, S80XS80 (FREE ISSUE)	2	NOS.
148	ECCENTRIC SWAGE, 1.5 INCH X 1 INCH, ASTM A 105, H2, BS-3799, PBE, S80XS80, H2 (FREE ISSUE)	1	NOS.
149	ECCENTRIC SWAGE, 2 INCH X 1 INCH, ASTM A 105, H2, BS-3799, PBE, S80XS80, H2 (FREE ISSUE)	1	NOS.
150	ECCENTRIC SWAGE, 2 INCH X 1.25 INCH, ASTM A 105, H2, BS-3799, PBE, S80XS80, H2 (FREE ISSUE)	1	NOS.
151	ECCENTRIC SWAGE, 2 INCH X 1.5 INCH, ASTM A105, BS-3799, PBE, S80XS80 (FREE ISSUE)	1	NOS.
152	ECCENTRIC SWAGE, 2 INCH X 1.5 INCH, ASTM A 105, H2, BS-3799, PBE, S80XS80, H2 (FREE ISSUE)	1	NOS.
153	ECCENTRIC SWAGE, 3 INCH X 1.5 INCH, ASTM A105, BS-3799, PBE, S40XS80 (FREE ISSUE)	3	NOS.
154	EQUAL TEE, 0.75 INCH X 0.75 INCH, ASTM A105, ASME B16.11, SW, 3000, S80 (FREE ISSUE)	1	NOS.
155	EQUAL TEE, 0.75 INCH X 0.75 INCH, ASTM A105, ASME B16.11, SW, 3000, S80 (FREE ISSUE)	10	NOS.
156	EQUAL TEE, 0.75 INCH X 0.75 INCH, ASTM A105, ASME B16.11, SW, 3000 (FREE ISSUE)	3	NOS.
157	EQUAL TEE, 0.75 INCH X 0.75 INCH, ASTM A 105, H2, ASME B16.11, SW, 3000, H2 (FREE ISSUE)	2	NOS.
158	EQUAL TEE, 0.75 INCH X 0.75 INCH, ASTM A 105, IBR, ASME B16.11, SW, 3000, IBR, NOTE2 (FREE ISSUE)	10	NOS.
159	EQUAL TEE, 1 INCH X 1 INCH, ASTM A105 (GALV.), ASME B16.11, SCRF, 3000 (FREE ISSUE)	12	NOS.
160	EQUAL TEE, 1 INCH X 1 INCH, ASTM A105, ASME B16.11, SW, 3000, S80 (FREE ISSUE)	5	NOS.
161	EQUAL TEE, 1 INCH X 1 INCH, ASTM A 105, IBR, ASME B16.11, SW, 3000, IBR, NOTE2 (FREE ISSUE)	6	NOS.
162	EQUAL TEE, 1 INCH X 1 INCH, ASTM A 105, H2, ASME B16.11, SW, 3000, H2 (FREE ISSUE)	10	NOS.
163	EQUAL TEE, 1.5 INCH X 1.5 INCH, ASTM A105, ASME B16.11, SW, 3000 (FREE ISSUE)	5	NOS.
164	EQUAL TEE, 1.5 INCH X 1.5 INCH, ASTM A 105, IBR, ASME B16.11, SW, 3000, IBR, NOTE2 (FREE ISSUE)	2	NOS.
165	EQUAL TEE, 1.5 INCH X 1.5 INCH, ASTM A105, ASME B16.11, SW, 3000 (FREE ISSUE)	2	NOS.
166	CAP, 8 INCH, ASTM A 234 GR WPB, H2, ASME B16.9, BW, S80, H2 (FREE ISSUE)	2	NOS.
167	ELBOW 45, 2 INCH, ASTM A 234 GR WPB, ASME B16.9, R=1.5D, BW, SEAMLESS, S40 (FREE ISSUE)	2	NOS.
168	ELBOW 45, 3 INCH, ASTM A 234 GR WPB, ASME B16.9, R=1.5D, BW, SEAMLESS, S40 (FREE ISSUE)	2	NOS.
169	ELBOW 45, 6 INCH, ASTM A 234 GR WPB, ASME B16.9, R=1.5D, BW, SEAMLESS, S40 (FREE ISSUE)	7	NOS.
170	ELBOW 45, 8 INCH, ASTM A 234 GR WPB, ASME B16.9, R=1.5D, BW, SEAMLESS, S20 (FREE ISSUE)	3	NOS.
171	ELBOW 45, 8 INCH, ASTM A 234 GR WPB, H2, ASME B16.9, R=1.5D, BW, S80, H2 (FREE ISSUE)	2	NOS.
172	ELBOW 45, 8 INCH, ASTM A 234 GR WPB, H2, ASME B16.9, R=1.5D, BW, SEAMLESS, S40, H2 (FREE ISSUE)	1	NOS.
173	ELBOW 45, 14 INCH, ASTM A 234 GR WPB, ASME B16.9, R=1.5D, BW, SEAMLESS, S20 (FREE ISSUE)	2	NOS.
174	ELBOW 90, 2 INCH, ASTM A 234 GR WPB, ASME B16.9, R=1.5D, BW, SEAMLESS, S80 (FREE ISSUE)	17	NOS.
175	ELBOW 90, 2 INCH, ASTM A 234 GR WPB, H2, ASME B16.9, R=1.5D, BW, SEAMLESS, S80, H2 (FREE ISSUE)	18	NOS.
176	ELBOW 90, 3 INCH, ASTM A 234 GR WPB, ASME B16.9, R=1.5D, BW, SEAMLESS, S40 (FREE ISSUE)	27	NOS.
177	ELBOW 90, 4 INCH, ASTM A 234 GR WPB, ASME B16.9, R=1.5D, BW, SEAMLESS, S40 (FREE ISSUE)	4	NOS.
178	ELBOW 90, 6 INCH, ASTM A 234 GR WPB, ASME B16.9, R=1.5D, BW, SEAMLESS, S40 (FREE ISSUE)	16	NOS.
179	ELBOW 90, 8 INCH, ASTM A 234 GR WPB, ASME B16.9, R=1.5D, BW, SEAMLESS, S20 (FREE ISSUE)	10	NOS.
180	ELBOW 90, 8 INCH, ASTM A 234 GR WPB, H2, ASME B16.9, R=1.5D, BW, SEAMLESS, S40, H2 (FREE ISSUE)	7	NOS.
181	ELBOW 90, 8 INCH, ASTM A234 GR. WPB, ASME B16.9, R=1.5D, BW, S20 (FREE ISSUE)	3	NOS.
182	ELBOW 90, 14 INCH, ASTM A 234 GR WPB, ASME B16.9, R=1.5D, BW, SEAMLESS, S20, (FREE ISSUE)	4	NOS.
183	CONCENTRIC REDUCER, 3 INCH X 2 INCH, ASTM A 234 GR WPB, ASME B16.9, BW, SEAMLESS, S40XS80 (FREE ISSUE)	2	NOS.
184	CONCENTRIC REDUCER, 3 INCH X 2.5 INCH, ASTM A 234 GR WPB, ASME B16.9, BW, SEAMLESS, S40XS80 (FREE ISSUE)	2	NOS.
185	CONCENTRIC REDUCER, 4 INCH X 2 INCH, ASTM A 234 GR WPB, ASME B16.9, BW, SEAMLESS, S40XS80 (FREE ISSUE)	1	NOS.
186	CONCENTRIC REDUCER, 6 INCH X 3 INCH, ASTM A 234 GR WPB, ASME B16.9, BW, SEAMLESS, S40XS40 (FREE ISSUE)	7	NOS.
187	CONCENTRIC REDUCER, 8 INCH X 4 INCH, ASTM A 234 GR WPB, ASME B16.9, BW, SEAMLESS, S20XS40 (FREE ISSUE)	1	NOS.
188	CONCENTRIC REDUCER, 14 INCH X 10 INCH, ASTM A 234 GR WPB, ASME B16.9, BW, SEAMLESS, S20XS20 (FREE ISSUE)	2	NOS.
189	ECCENTRIC REDUCER, 3 INCH X 2 INCH, ASTM A 234 GR WPB, ASME B16.9, BW, SEAMLESS, S40XS80 (FREE ISSUE)	3	NOS.
190	ECCENTRIC REDUCER, 4 INCH X 1.5 INCH, ASTM A 234 GR WPB, H2, ASME B16.9, BW, S80XS80, H2 (FREE ISSUE)	1	NOS.
191	ECCENTRIC REDUCER, 4 INCH X 2 INCH, ASTM A 234 GR WPB, ASME B16.9, BW, SEAMLESS, S40XS80 (FREE ISSUE)	1	NOS.
192	ECCENTRIC REDUCER, 4 INCH X 2 INCH, ASTM A 234 GR WPB, H2, ASME B16.9, BW, S80xS80, H2 (FREE ISSUE)	1	NOS.
193	ECCENTRIC REDUCER, 4 INCH X 3 INCH, ASTM A 234 GR WPB, ASME B16.9, BW, SEAMLESS, S40XS40 (FREE ISSUE)	1	NOS.
194	ECCENTRIC REDUCER, 6 INCH X 3 INCH, ASTM A 234 GR WPB, ASME B16.9, BW, SEAMLESS, S40XS40 (FREE ISSUE)	1	NOS.

195	ECCENTRIC REDUCER, 6 INCH X 4 INCH, ASTM A 234 GR WPB, ASME B16.9, BW, SEAMLESS, S40XS40 (FREE ISSUE)	2	NOS.
196	ECCENTRIC REDUCER, 8 INCH X 4 INCH, ASTM A 234 GR WPB, ASME B16.9, BW, SEAMLESS, S20XS40 (FREE ISSUE)	2	NOS.
197	ECCENTRIC REDUCER, 8 INCH X 4 INCH, ASTM A 234 GR WPB, H2, ASME B16.9, BW, S80XS80, H2 (FREE ISSUE)	2	NOS.
198	ECCENTRIC REDUCER, 8 INCH X 6 INCH, ASTM A 234 GR WPB, ASME B16.9, BW, SEAMLESS, S20XS40 (FREE ISSUE)	1	NOS.
199	REDUCING TEE, 2 INCH X 1.5 INCH, ASTM A234 GR. WPB, IBR, ASME B16.9, BW, S40XS80, IBR, NOTE 2 (FREE ISSUE)	1	NOS.
200	REDUCING TEE, 3 INCH X 2 INCH, ASTM A 234 GR WPB, ASME B16.9, BW, SEAMLESS, S40XS80 (FREE ISSUE)	1	NOS.
201	REDUCING TEE, 4 INCH X 3 INCH, ASTM A 234 GR WPB, ASME B16.9, BW, SEAMLESS, S40XS40 (FREE ISSUE)	1	NOS.
202	REDUCING TEE, 6 INCH X 3 INCH, ASTM A 234 GR WPB, ASME B16.9, BW, SEAMLESS, S40XS40 (FREE ISSUE)	2	NOS.
203	REDUCING TEE, 14 INCH X 8 INCH, ASTM A 234 GR WPB, ASME B16.9, BW, SEAMLESS, S20XS20 (FREE ISSUE)	1	NOS.
204	EQUAL TEE, 2 INCH X 2 INCH, ASTM A 234 GR WPB, ASME B16.9, BW, SEAMLESS, S40 (FREE ISSUE)	4	NOS.
205	EQUAL TEE, 3 INCH X 3 INCH, ASTM A 234 GR WPB, ASME B16.9, BW, SEAMLESS, S40 (FREE ISSUE)	4	NOS.
206	EQUAL TEE, 4 INCH X 4 INCH, ASTM A 234 GR WPB, ASME B16.9, BW, SEAMLESS, S40 (FREE ISSUE)	2	NOS.
207	EQUAL TEE, 6 INCH X 6 INCH, ASTM A 234 GR WPB, ASME B16.9, BW, SEAMLESS, S40 (FREE ISSUE)	3	NOS.
208	ELBOW 45, 0.5 INCH, ASTM A182 GR. F316, ASME B16.11, SW, 3000, (FREE ISSUE)	1	NOS.
209	ELBOW 45, 0.75 INCH, ASTM A 182 GR F316, ASME B16.11, SW, 3000, NOTE5 (FREE ISSUE)	1	NOS.
210	ELBOW 45, 0.75 INCH, ASTM A182 GR. F316, ASME B16.11, SW, 3000, (FREE ISSUE)	1	NOS.
211	ELBOW 90, 0.5 INCH, ASTM A 182 GR F316, ASME B16.11, SW, 3000, NOTE5 (FREE ISSUE)	6	NOS.
212	ELBOW 90, 0.5 INCH, ASTM A182 GR. F316, ASME B16.11, SW, 3000, (FREE ISSUE)	4	NOS.
213	ELBOW 90, 0.75 INCH, ASTM A 182 GR F316, ASME B16.11, SW, 3000, NOTE5 (FREE ISSUE)	16	NOS.
214	ELBOW 90, 0.75 INCH, ASTM A182 GR. F316, ASME B16.11, SW, 3000, (FREE ISSUE)	5	NOS.
215	CONCENTRIC SWAGE, 0.75 INCH X 0.5 INCH, ASTM A 182 GR F316, BS-3799, PBE, NOTE 5 (FREE ISSUE)	4	NOS.
216	EQUAL TEE, 0.5 INCH, ASTM A 182 GR F316, ASME B16.11, SW, 3000, NOTE5 (FREE ISSUE)	2	NOS.
217	EQUAL TEE, 0.75 INCH, ASTM A 182 GR F316, ASME B16.11, SW, 3000, NOTE5 (FREE ISSUE)	6	NOS.
218	EQUAL TEE, 0.75 INCH, ASTM A182 GR. F316, ASME B16.11, SW, 3000, (FREE ISSUE)	2	NOS.
219	ELBOW 45, 8 INCH, ASTM A 403 GR WP 316-S/WX/WU, ASME B16.9, R=1.5D, BW, 40S, NOTE5 (FREE ISSUE)	3	NOS.
220	ELBOW 90, 3 INCH, ASTM A 403GR.WP304H, ASME B16.9, R=1.5D, BW, SEAMLESS, 40S, (FREE ISSUE)	1	NOS.
221	ELBOW 90, 8 INCH, ASTM A 403 GR WP 316-S/WX/WU, ASME B16.9, R=1.5D, BW, 40S, NOTE5 (FREE ISSUE)	15	NOS.
222	CONCENTRIC REDUCER, 8 INCH X 4 INCH, ASTM A 403 GR WP 316-S/WX/WU, ASME B16.9, BW, 40SX40S, NOTE 5 (FREE ISSUE)	1	NOS.
223	ECCENTRIC REDUCER, 10 INCH X 8 INCH, ASTM A 403 GR WP 316-S/WX/WU, ASME B16.9, BW, 40SX40S, NOTE 5 (FREE ISSUE)	1	NOS.
224	REDUCING TEE, 8 INCH X 4 INCH, ASTM A 403 GR WP 316-S/WX/WU, ASME B16.9, BW, 40SX40S, NOTE 5 (FREE ISSUE)	2	NOS.
225	SOCKOLET, 2 INCH X 0.75 INCH, ASTM A 105, H2, MSS SP-97, SW, 3000, H2 (FREE ISSUE)	6	NOS.
226	SOCKOLET, 2 INCH X 0.75 INCH, ASTM A105, MSS SP-97, SW, 3000 (FREE ISSUE)	3	NOS.
227	SOCKOLET, 3 INCH X 0.75 INCH, ASTM A105, MSS SP-97, SW, 3000 (FREE ISSUE)	13	NOS.
228	SOCKOLET, 4 INCH X 0.75 INCH, ASTM A105, MSS SP-97, SW, 3000 (FREE ISSUE)	3	NOS.
229	SOCKOLET, 4 INCH X 1.5 INCH, ASTM A105, MSS SP-97, SW, 3000 (FREE ISSUE)	1	NOS.
230	SOCKOLET, 6 INCH X 0.75 INCH, ASTM A105, MSS SP-97, SW, 3000 (FREE ISSUE)	8	NOS.
231	SOCKOLET, 6 INCH X 1.5 INCH, ASTM A105, MSS SP-97, SW, 3000 (FREE ISSUE)	4	NOS.
232	SOCKOLET, 8 INCH X 0.75 INCH, ASTM A 105, H2, MSS SP-97, SW, 3000, H2 (FREE ISSUE)	1	NOS.
233	SOCKOLET, 8 INCH X 0.75 INCH, ASTM A105, MSS SP-97, SW, 3000 (FREE ISSUE)	1	NOS.
234	SOCKOLET, 8 INCH X 1.5 INCH, ASTM A 105, H2, MSS SP-97, SW, 3000, H2 (FREE ISSUE)	1	NOS.
235	SOCKOLET, 8 INCH X 1.5 INCH, ASTM A105, MSS SP-97, SW, 3000 (FREE ISSUE)	3	NOS.
236	THREADOLET, 6 INCH X 1 INCH, ASTM A105, MSS SP-97, SCRD (F), 3000, NOTE 23 (FREE ISSUE)	6	NOS.
237	THREADOLET, 8 INCH X 1 INCH, ASTM A 105, H2, MSS SP-97, SCRD (F), 3000, H2 (FREE ISSUE)	2	NOS.
238	THREADOLET, 8 INCH X 1 INCH, ASTM A105, MSS SP-97, SCRD (F), 3000, NOTE 23 (FREE ISSUE)	2	NOS.
239	ELBOLET, 6 INCH X 1 INCH, ASTM A105, MSS SP-97, SCRD (F), 3000, NOTE 23 (FREE ISSUE)	2	NOS.
240	LETROLET, 2 INCH X 1 INCH, ASTM A182 GR F316, MSS SP-97, BW, 80SX80S, NOTE 5 (FREE ISSUE)	1	NOS.
241	SOCKOLET, 8 INCH X 0.75 INCH, ASTM A 182 GR F316, MSS SP-97, SW, 3000, NOTE 5,23 (FREE ISSUE)	2	NOS.
242	SOCKOLET, 8 INCH X 1.5 INCH, ASTM A 182 GR F316, MSS SP-97, SW, 3000, NOTE 5,23 (FREE ISSUE)	2	NOS.
243	THREADOLET, 8 INCH X 1 INCH, ASTM A 182 GR F316, MSS SP-97, SCRD, 3000, NOTE 5,23 (FREE ISSUE)	4	NOS.
244	SOCKOLET, 2 INCH X 0.75 INCH, ASTM B564 UNS N06600, MSS SP-97, SW, 40SX40S, NOTE 29 (FREE ISSUE)	2	NOS.
245	SOCKOLET, 16 INCH X 0.75 INCH, ASTM B564 UNS N06600, MSS SP-97, SW, 10SX40S, NOTE 31 (FREE ISSUE)	4	NOS.
246	BEND 90, 6 INCH, SEAMLESS, ASTM A106 GR.B, LONG BEND R=1850, BW, MNF STD , S40. refer 6-71-0021 Rev. 6 for Long Radius Bends (FREE ISSUE)	2	NOS.
247	BLIND FLANGE, 0.75 INCH, ASTM B564 UNS N06600, ASME B16.5, RF, CL150, NOTE29 (FREE ISSUE)	4	NOS.
248	BLIND FLANGE, 4 INCH, ASTM B564 UNS N06600, ASME B16.5, RF, CL150, NOTE29 (FREE ISSUE)	2	NOS.
249	FIGURE 8, 2 INCH, ASTM A 182 GR.F11, H2, ASME B16.5, ASME B16.48 RF, CL300, H2 (FREE ISSUE)	1	NOS.
250	FLANGE, 0.75 INCH, ASTM B564 UNS N06600, ASME B16.5, RF, CL150, WN, 40S, NOTE29 (FREE ISSUE)	4	NOS.
251	FLANGE, 3 INCH, ASTM A 182 GR.F11, H2, ASME B16.5, RF, CL300, WN, S80, H2 (FREE ISSUE)	1	NOS.
252	FLANGE, 4 INCH, ASTM B564 UNS N06600, ASME B16.5, RF, CL300, WN, 10S, NOTE29 (FREE ISSUE)	2	NOS.
253	FLANGE, 0.5 INCH, ASTM A105, ASME B16.5, WN, CL150, RF, S80, IBR (FREE ISSUE)	10	NOS.
254	FLANGE, 0.5 INCH, ASTM A105, ASME B16.5, WN, CL150, RF, S80 (FREE ISSUE)	14	NOS.
255	FLANGE, 0.5 INCH, ASTM A105, ASME B16.5, WN, CL300, RF, S80 (FREE ISSUE)	2	NOS.
256	FLANGE, 0.75 INCH, ASTM A 105, H2, ASME B16.5, RF, CL300, SW, H2 (FREE ISSUE)	27	NOS.
257	FLANGE, 0.75 INCH, ASTM A 105, IBR, ASME B16.5, RF, CL150, WN, S80, IBR, NOTE2 (FREE ISSUE)	15	NOS.
258	FLANGE, 0.75 INCH, ASTM A 105, IBR, ASME B16.5, RF, CL300, WN, S80, IBR, NOTE2 (FREE ISSUE)	12	NOS.
259	FLANGE, 0.75 INCH, ASTM A105, ASME B16.5, RF, CL150, WN, S80 (FREE ISSUE)	30	NOS.
260	FLANGE, 0.75 INCH, ASTM A105, ASME B16.5, RF, CL300, WN, S80 (FREE ISSUE)	8	NOS.
261	FLANGE, 0.75 INCH, ASTM A105, ASME B16.5, WN, CL150, RF, S80 (FREE ISSUE)	10	NOS.
262	FLANGE, 0.75 INCH, ASTM A105, ASME B16.5, WN, CL300, RF, S80 (FREE ISSUE)	2	NOS.
263	FLANGE, 1 INCH, ASTM A 105, H2, ASME B16.5, RF, CL150, WN, H2 (FREE ISSUE)	4	NOS.
264	FLANGE, 1 INCH, ASTM A 105, H2, ASME B16.5, RF, CL300, SW, H2 (FREE ISSUE)	14	NOS.

265		FLANGE, 1 INCH, ASTM A 105, IBR, ASME B16.5, RF, CL150, WN, S80, IBR, NOTE2 (FREE ISSUE)	5	NOS.
266		FLANGE, 1 INCH, ASTM A 105, IBR, ASME B16.5, RF, CL300, WN, S80, IBR, NOTE2 (FREE ISSUE)	10	NOS.
267		FLANGE, 1 INCH, ASTM A105 (GALV.), ASME B16.5, SCRD, CL150, FF/125AARH (FREE ISSUE)	6	NOS.
268		FLANGE, 1 INCH, ASTM A105, ASME B16.5, RF, CL150, WN, S80 (FREE ISSUE)	5	NOS.
269		FLANGE, 1 INCH, ASTM A105, ASME B16.5, RF, CL300, WN, S80 (FREE ISSUE)	6	NOS.
270		FLANGE, 1 INCH, ASTM A105, ASME B16.5, WN, CL150, RF, S80 (FREE ISSUE)	3	NOS.
271		FLANGE, 1 INCH, ASTM A105, ASME B16.5, WN, CL300, RF, S80 (FREE ISSUE)	2	NOS.
272		FLANGE, 1.5 INCH, ASTM A 105, H2, ASME B16.5, RF, CL300, SW, H2 (FREE ISSUE)	6	NOS.
273		FLANGE, 1.5 INCH, ASTM A 105, IBR, ASME B16.5, RF, CL150, WN, S80, IBR, NOTE2 (FREE ISSUE)	5	NOS.
274		FLANGE, 1.5 INCH, ASTM A 105, IBR, ASME B16.5, RF, CL300, WN, S80, IBR, NOTE2 (FREE ISSUE)	7	NOS.
275		FLANGE, 1.5 INCH, ASTM A105 (GALV.), ASME B16.5, SCRD, CL150, FF/125AARH (FREE ISSUE)	2	NOS.
276		FLANGE, 1.5 INCH, ASTM A105, ASME B16.5, RF, CL150, WN, S80 (FREE ISSUE)	13	NOS.
277		FLANGE, 1.5 INCH, ASTM A105, ASME B16.5, RF, CL300, WN, S80 (FREE ISSUE)	15	NOS.
278		FLANGE, 1.5 INCH, ASTM A105, ASME B16.5, WN, CL150, RF, S80 (FREE ISSUE)	10	NOS.
279		FLANGE, 1.5 INCH, ASTM A105, ASME B16.5, WN, CL300, RF, S80 (FREE ISSUE)	2	NOS.
280		FLANGE, 2 INCH, ASTM A 105, H2, ASME B16.5, RF, CL300, WN, S80, H2 (FREE ISSUE)	12	NOS.
281		FLANGE, 2 INCH, ASTM A105, ASME B16.5, RF, CL150, WN, S40 (FREE ISSUE)	21	NOS.
282		FLANGE, 2 INCH, ASTM A105, ASME B16.5, RF, CL300, WN, S160 (FREE ISSUE)	1	NOS.
283		FLANGE, 2 INCH, ASTM A105, ASME B16.5, RF, CL300, WN, S40 (FREE ISSUE)	7	NOS.
284		FLANGE, 2 INCH, ASTM A105, ASME B16.5, WN, CL150, RF, S40 (FREE ISSUE)	3	NOS.
285		FLANGE, 2 INCH, ASTM A105, ASME B16.5, WN, CL150, RF, S80 (FREE ISSUE)	1	NOS.
286		FLANGE, 2.5 INCH, ASTM A105, ASME B16.5, RF, CL150, WN, S40 (FREE ISSUE)	2	NOS.
287		FLANGE, 3 INCH, ASTM A105, ASME B16.5, RF, CL150, WN, S40 (FREE ISSUE)	16	NOS.
288		FLANGE, 3 INCH, ASTM A105, ASME B16.5, RF, CL300, WN, S40 (FREE ISSUE)	7	NOS.
289		FLANGE, 3 INCH, ASTM A105, ASME B16.5, WN, CL300, RF, S40 (FREE ISSUE)	1	NOS.
290		FLANGE, 4 INCH, ASTM A105, ASME B16.5, RF, CL150, WN, S40 (FREE ISSUE)	4	NOS.
291		FLANGE, 4 INCH, ASTM A105, ASME B16.5, RF, CL300, WN, S40 (FREE ISSUE)	2	NOS.
292		FLANGE, 6 INCH, ASTM A105, ASME B16.5, RF, CL150, WN, S40 (FREE ISSUE)	15	NOS.
293		FLANGE, 6 INCH, ASTM A105, ASME B16.5, RF, CL300, WN, S40 (FREE ISSUE)	2	NOS.
294		FLANGE, 8 INCH, ASTM A 105, H2, ASME B16.5, RF, CL150, WN, S80, H2 (FREE ISSUE)	2	NOS.
295		FLANGE, 8 INCH, ASTM A 105, H2, ASME B16.5, RF, CL300, WN, S40, H2 (FREE ISSUE)	1	NOS.
296		FLANGE, 8 INCH, ASTM A 105, H2, ASME B16.5, RF, CL300, WN, S80, H2 (FREE ISSUE)	2	NOS.
297		FLANGE, 8 INCH, ASTM A105, ASME B16.5, RF, CL150, WN, S20 (FREE ISSUE)	2	NOS.
298		FLANGE, 8 INCH, ASTM A105, ASME B16.5, RF, CL300, WN, S20 (FREE ISSUE)	3	NOS.
299		FLANGE, 8 INCH, ASTM A105, ASME B16.5, WN, CL300, RF, S20 (FREE ISSUE)	1	NOS.
300		FLANGE, 10 INCH, ASTM A105, ASME B16.5, RF, CL300, WN, S20 (FREE ISSUE)	2	NOS.
301		FLANGE, 14 INCH, ASTM A105, ASME B16.5, RF, CL150, WN, S20 (FREE ISSUE)	3	NOS.
302		REDUCING FLANGE, 2 INCH X 1.25 INCH, ASTM A 105, H2, ASME B16.5, RF, CL300, H2 (FREE ISSUE)	1	NOS.
303		LONG FLANGE, 1 INCH, ASTM A105, ASME B16.5, RF, CL150, WN, S80, 225 MM LONG (FREE ISSUE)	3	NOS.